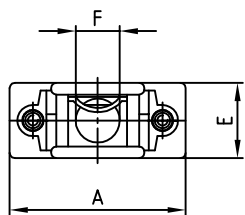
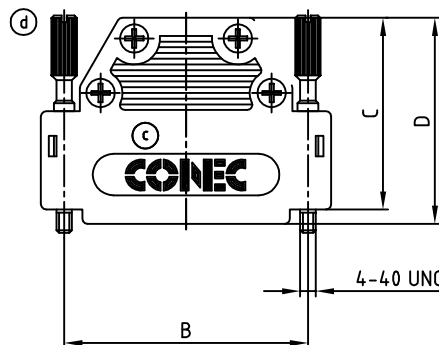
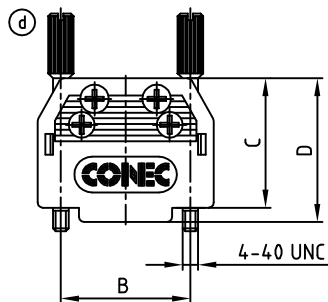
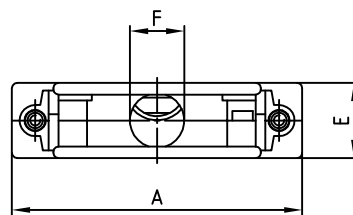


used for: D-SUB

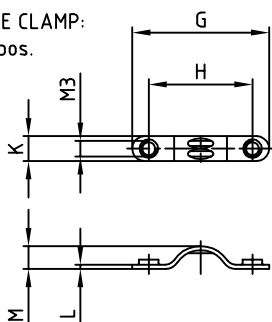
Ⓒ 9pos.



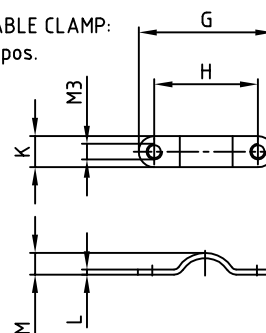
15-50pos.



Ⓑ CABLE CLAMP:
9-37pos.



Ⓑ CABLE CLAMP:
50pos.



POS.	A	B	C	D	E	F	G	H	K	L	M	Part NO.
9	34.0	25.0	25.0	27.75	14.5	8.5	17.6	12.0	4.8	0.8	2.6	165X10909X
15	42.3	33.3	37.0	39.75	14.5	10.0	17.6	12.0	4.8	0.8	2.6	165X10919X
25	56.0	47.0	37.0	39.75	14.5	10.5	26.4	20.0	4.8	0.8	4.4	165X10929X
37	72.5	63.5	37.0	39.75	14.5	10.5	26.4	20.0	4.8	0.8	4.4	165X10939X
50	70.0	61.1	50.0	50.00	21.0	10.5	26.0	20.0	6.0	1.0	4.2	165X10949X

NOTES:

- HOOD MATERIAL: ABS UL94 V0, METALLIZED
- SCREWS: BRASS, NICKEL-PLATING
- CABLE CLAMPS: STEEL, NICKEL-PLATING

Directive 2002/95/EC RoHS compliant

THIS DRAWING MAY NOT BE COPIED OR REPRODUCED IN ANY WAY, AND MAY NOT BE PASSED ON TO A THIRD PARTY, WITHOUT WRITTEN PERMISSION. OWNERSHIP AND COPYRIGHT OF CONEC GmbH DO NOT ALTER CAD DRAWING BY HAND

rev.	description	date	name	tolerance	dim. in mm
2011	date				
drawn	20.06.		Lehmenkühler		
appd.	20.06.		Labus		
2 x d	Ä3961	06.04.2011	K.H.	norm	
2 x c	Ä3525	14.12.2009	Henne	d-old	
3 x b	Ä1898	08.12.2003	Lehmen		
a	Original				



scale:	1:1
material:	SEE NOTES
title:	PLASTIC HOOD 9-50pos. with straight cable exit and jack screw
dwg no:	16K1A972
part no:	SEE TABLE

DIN-A
3
sh: 1/1

Mouser Electronics

Authorized Distributor

Click to View Pricing, Inventory, Delivery & Lifecycle Information:

[Amphenol:](#)

[165X10929X](#)