



CMOS, +1.8 V to +5.5 V/ ± 2.5 V, 2.5 Ω Low-Voltage, 8-/16-Channel Multiplexers

ADG706/ADG707

FEATURES

- +1.8 V to +5.5 V Single Supply
- ± 2.5 V Dual Supply
- 2.5 Ω ON Resistance
- 0.5 Ω ON Resistance Flatness
- 100 pA Leakage Currents
- 40 ns Switching Times
- Single 16-to-1 Multiplexer ADG706
- Differential 8-to-1 Multiplexer ADG707
- 28-Lead TSSOP Package
- Low-Power Consumption
- TTL/CMOS-Compatible Inputs

APPLICATIONS

- Data Acquisition Systems
- Communication Systems
- Relay Replacement
- Audio and Video Switching
- Battery-Powered Systems

GENERAL DESCRIPTION

The ADG706 and ADG707 are low-voltage, CMOS analog multiplexers comprising 16 single channels and eight differential channels, respectively. The ADG706 switches one of 16 inputs (S1–S16) to a common output, D, as determined by the 4-bit binary address lines A0, A1, A2, and A3. The ADG707 switches one of eight differential inputs to a common differential output as determined by the 3-bit binary address lines A0, A1, and A2. An EN input on both devices is used to enable or disable the device. When disabled, all channels are switched OFF.

Low-power consumption and operating supply range of 1.8 V to 5.5 V make the ADG706 and ADG707 ideal for battery-powered, portable instruments. All channels exhibit break-before-make switching action preventing momentary shorting when switching channels. These devices are also designed to operate from a dual supply of ± 2.5 V.

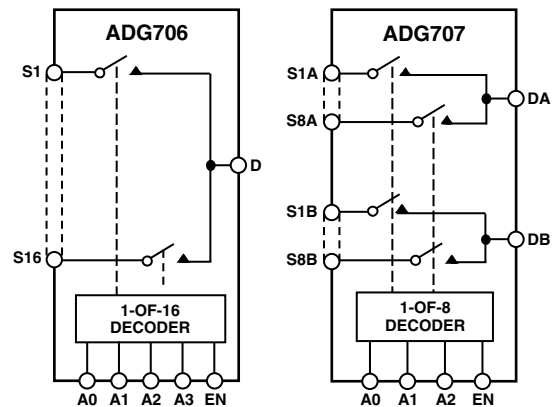
These multiplexers are designed on an enhanced submicron process that provides low-power dissipation yet gives high switching speed, very low ON resistance, and leakage currents. ON resistance is in the region of a few ohms and is closely matched between switches and very flat over the full signal range. These parts can operate equally well as either multiplexers or demultiplexers and have an input signal range that extends to the supplies.

The ADG706 and ADG707 are available in small 28-lead TSSOP packages.

REV. B

Information furnished by Analog Devices is believed to be accurate and reliable. However, no responsibility is assumed by Analog Devices for its use, nor for any infringements of patents or other rights of third parties that may result from its use. No license is granted by implication or otherwise under any patent or patent rights of Analog Devices.

FUNCTIONAL BLOCK DIAGRAMS



PRODUCT HIGHLIGHTS

1. Single-/dual-supply operation. The ADG706 and ADG707 are fully specified and guaranteed with 3 V and 5 V single-supply and ± 2.5 V dual-supply rails.
2. Low ON resistance (2.5 Ω typical)
3. Low-power consumption ($< 0.01 \mu\text{W}$)
4. Guaranteed break-before-make switching action
5. Small 28-lead TSSOP package

ADG706/ADG707—SPECIFICATIONS¹ ($V_{DD} = 5\text{ V} \pm 10\%$, $V_{SS} = 0\text{ V}$, $GND = 0\text{ V}$, unless otherwise noted.)

Parameter	25°C	-40°C to +85°C	Unit	Test Conditions/Comments
ANALOG SWITCH				
Analog Signal Range		0 V to V_{DD}	V	
ON Resistance (R_{ON})	2.5		Ω typ	$V_S = 0\text{ V}$ to V_{DD} , $I_{DS} = 10\text{ mA}$; Test Circuit 1
	4.5	5	Ω max	
ON Resistance Match Between Channels (ΔR_{ON})		0.3	Ω typ	$V_S = 0\text{ V}$ to V_{DD} , $I_{DS} = 10\text{ mA}$
		0.8	Ω max	
ON Resistance Flatness ($R_{FLAT(ON)}$)	0.5		Ω typ	$V_S = 0\text{ V}$ to V_{DD} , $I_{DS} = 10\text{ mA}$
		1.2	Ω max	
LEAKAGE CURRENTS				
Source OFF Leakage I_S (OFF)	± 0.01		nA typ	$V_{DD} = 5.5\text{ V}$ $V_D = 4.5\text{ V}/1\text{ V}$, $V_S = 1\text{ V}/4.5\text{ V}$; Test Circuit 2
	± 0.1	± 0.3	nA max	
Drain OFF Leakage I_D (OFF)	± 0.01		nA typ	$V_D = 4.5\text{ V}/1\text{ V}$, $V_S = 1\text{ V}/4.5\text{ V}$; Test Circuit 3
ADG706	± 0.4	± 1.5	nA max	
ADG707	± 0.2	± 1	nA max	
Channel ON Leakage I_D , I_S (ON)	± 0.01		nA typ	$V_D = V_S = 1\text{ V}$, or 4.5 V ; Test Circuit 4
ADG706	± 0.4	± 1.5	nA max	
ADG707	± 0.2	± 1	nA max	
DIGITAL INPUTS				
Input High Voltage, V_{INH}		2.4	V min	
Input Low Voltage, V_{INL}		0.8	V max	
Input Current				
I_{INL} or I_{INH}	0.005		μA typ	$V_{IN} = V_{INL}$ or V_{INH}
		± 0.1	μA max	
C_{IN} , Digital Input Capacitance	5		pF typ	
DYNAMIC CHARACTERISTICS²				
$t_{TRANSITION}$	40		ns typ	$R_L = 300\ \Omega$, $C_L = 35\text{ pF}$, Test Circuit 5;
		60	ns max	$V_{S1} = 3\text{ V}/0\text{ V}$, $V_{S16} = 0\text{ V}/3\text{ V}$
Break-Before-Make Time Delay, t_D	30		ns typ	$R_L = 300\ \Omega$, $C_L = 35\text{ pF}$;
		1	ns min	$V_S = 3\text{ V}$, Test Circuit 6
t_{ON} (EN)	32		ns typ	$R_L = 300\ \Omega$, $C_L = 35\text{ pF}$;
		50	ns max	$V_S = 3\text{ V}$, Test Circuit 7
t_{OFF} (EN)	10		ns typ	$R_L = 300\ \Omega$, $C_L = 35\text{ pF}$;
		14	ns max	$V_S = 3\text{ V}$, Test Circuit 7
Charge Injection	± 5		pC typ	$V_S = 1\text{ V}$, $R_S = 0\ \Omega$, $C_L = 1\text{ nF}$; Test Circuit 8
OFF Isolation	-60		dB typ	$R_L = 50\ \Omega$, $C_L = 5\text{ pF}$, $f = 10\text{ MHz}$;
	-80		dB typ	$R_L = 50\ \Omega$, $C_L = 5\text{ pF}$, $f = 1\text{ MHz}$; Test Circuit 9
Channel-to-Channel Crosstalk	-60		dB typ	$R_L = 50\ \Omega$, $C_L = 5\text{ pF}$, $f = 10\text{ MHz}$;
	-80		dB typ	$R_L = 50\ \Omega$, $C_L = 5\text{ pF}$, $f = 1\text{ MHz}$; Test Circuit 10
-3 dB Bandwidth				
ADG706	25		MHz typ	$R_L = 50\ \Omega$, $C_L = 5\text{ pF}$, Test Circuit 9
ADG707	36		MHz typ	$R_L = 50\ \Omega$, $C_L = 5\text{ pF}$, Test Circuit 9
C_S (OFF)	13		pF typ	$f = 1\text{ MHz}$
C_D (OFF)				
ADG706	180		pF typ	$f = 1\text{ MHz}$
ADG707	90		pF typ	$f = 1\text{ MHz}$
C_D , C_S (ON)				
ADG706	200		pF typ	$f = 1\text{ MHz}$
ADG707	100		pF typ	$f = 1\text{ MHz}$
POWER REQUIREMENTS				
I_{DD}	0.001		μA typ	$V_{DD} = 5.5\text{ V}$ Digital Inputs = 0 V or 5.5 V
		1.0	μA max	

NOTES

¹Temperature range is -40°C to +85°C.

²Guaranteed by design, not subject to production test.

Specifications subject to change without notice.

SPECIFICATIONS¹ (V_{DD} = 3 V ± 10%, V_{SS} = 0 V, GND = 0 V, unless otherwise noted.)

ADG706/ADG707

Parameter	25°C	-40°C to +85°C	Unit	Test Conditions/Comments
ANALOG SWITCH				
Analog Signal Range		0 V to V _{DD}	V	
ON Resistance (R _{ON})	6		Ω typ	V _S = 0 V to V _{DD} , I _{DS} = 10 mA;
	11	12	Ω max	Test Circuit 1
ON Resistance Match Between Channels (ΔR _{ON})		0.4	Ω typ	V _S = 0 V to V _{DD} , I _{DS} = 10 mA
		1.2	Ω max	
ON Resistance Flatness (R _{FLAT(ON)})		3	Ω typ	V _S = 0 V to V _{DD} , I _{DS} = 10 mA
LEAKAGE CURRENTS				
Source OFF Leakage I _S (OFF)	±0.01		nA typ	V _{DD} = 3.3 V
	±0.1	±0.3	nA max	V _S = 3 V/1 V, V _D = 1 V/3 V;
Drain OFF Leakage I _D (OFF)	±0.01		nA typ	Test Circuit 2
ADG706	±0.4	±1.5	nA max	V _S = 3 V/1 V, V _D = 1 V/3 V;
ADG707	±0.2	±1	nA max	Test Circuit 3
Channel ON Leakage I _D , I _S (ON)	±0.01		nA typ	V _S = V _D = 1 V or 3 V;
ADG706	±0.4	±1.5	nA max	Test Circuit 4
ADG707	±0.2	±1	nA max	
DIGITAL INPUTS				
Input High Voltage, V _{INH}		2.0	V min	
Input Low Voltage, V _{INL}		0.8	V max	
Input Current				
I _{INL} or I _{INH}	0.005		μA typ	V _{IN} = V _{INL} or V _{INH}
		±0.1	μA max	
C _{IN} , Digital Input Capacitance	5		pF typ	
DYNAMIC CHARACTERISTICS²				
t _{TRANSITION}	45		ns typ	R _L = 300 Ω, C _L = 35 pF, Test Circuit 5
		75	ns max	V _{S1} = 2 V/0 V, V _{S16} = 0 V/2 V
Break-Before-Make Time Delay, t _D	30		ns typ	R _L = 300 Ω, C _L = 35 pF;
		1	ns min	V _S = 2 V, Test Circuit 6
t _{ON} (EN)	40		ns typ	R _L = 300 Ω, C _L = 35 pF;
		70	ns max	V _S = 2 V, Test Circuit 7
t _{OFF} (EN)	20		ns typ	R _L = 300 Ω, C _L = 35 pF;
		28	ns max	V _S = 2 V, Test Circuit 7
Charge Injection	±5		pC typ	V _S = 1 V, R _S = 0 Ω, C _L = 1 nF;
				Test Circuit 8
OFF Isolation	-60		dB typ	R _L = 50 Ω, C _L = 5 pF, f = 10 MHz;
	-80		dB typ	R _L = 50 Ω, C _L = 5 pF, f = 1 MHz;
				Test Circuit 9
Channel-to-Channel Crosstalk	-60		dB typ	R _L = 50 Ω, C _L = 5 pF, f = 10 MHz;
	-80		dB typ	R _L = 50 Ω, C _L = 5 pF, f = 1 MHz;
				Test Circuit 10
-3 dB Bandwidth				
ADG706	25		MHz typ	R _L = 50 Ω, C _L = 5 pF, Test Circuit 9
ADG707	36		MHz typ	R _L = 50 Ω, C _L = 5 pF, Test Circuit 9
C _S (OFF)	13		pF typ	f = 1 MHz
C _D (OFF)				
ADG706	180		pF typ	f = 1 MHz
ADG707	90		pF typ	f = 1 MHz
C _D , C _S (ON)				
ADG706	200		pF typ	f = 1 MHz
ADG707	100		pF typ	f = 1 MHz
POWER REQUIREMENTS				
I _{DD}	0.001		μA typ	V _{DD} = 3.3 V
		1.0	μA max	Digital Inputs = 0 V or 3.3 V

NOTES

¹Temperature range is -40°C to +85°C.

²Guaranteed by design, not subject to production test.

Specifications subject to change without notice.

ADG706/ADG707

DUAL SUPPLY¹ ($V_{DD} = +2.5\text{ V} \pm 10\%$, $V_{SS} = -2.5\text{ V} \pm 10\%$, $GND = 0\text{ V}$, unless otherwise noted.)

Parameter	25°C	-40°C to +85°C	Unit	Test Conditions/Comments
ANALOG SWITCH				
Analog Signal Range		V_{SS} to V_{DD}	V	
ON Resistance (R_{ON})	2.5		Ω typ	$V_S = V_{SS}$ to V_{DD} , $I_{DS} = 10\text{ mA}$; Test Circuit 1
	4.5	5	Ω max	
ON Resistance Match Between Channels (ΔR_{ON})		0.3	Ω typ	$V_S = V_{SS}$ to V_{DD} , $I_{DS} = 10\text{ mA}$
		0.8	Ω max	
ON Resistance Flatness ($R_{FLAT(ON)}$)	0.5		Ω typ	$V_S = V_{SS}$ to V_{DD} , $I_{DS} = 10\text{ mA}$
		1.2	Ω max	
LEAKAGE CURRENTS				
Source OFF Leakage I_S (OFF)	± 0.01		nA typ	$V_{DD} = +2.75\text{ V}$, $V_{SS} = -2.75\text{ V}$ $V_S = +2.25\text{ V}/-1.25\text{ V}$, $V_D = -1.25\text{ V}/+2.25\text{ V}$; Test Circuit 2
	± 0.1	± 0.3	nA max	
Drain OFF Leakage I_D (OFF)	± 0.01		nA typ	$V_S = +2.25\text{ V}/-1.25\text{ V}$, $V_D = -1.25\text{ V}/+2.25\text{ V}$; Test Circuit 3
ADG706	± 0.4	± 1.5	nA max	
ADG707	± 0.2	± 1	nA max	
Channel ON Leakage I_D , I_S (ON)	± 0.01		nA typ	$V_S = V_D = +2.25\text{ V}/-1.25\text{ V}$, Test Circuit 4
ADG706	± 0.4	± 1.5	nA max	
ADG707	± 0.2	± 1	nA max	
DIGITAL INPUTS				
Input High Voltage, V_{INH}		1.7	V min	
Input Low Voltage, V_{INL}		0.7	V max	
Input Current				
I_{INL} or I_{INH}	0.005		μA typ	$V_{IN} = V_{INL}$ or V_{INH}
		± 0.1	μA max	
C_{IN} , Digital Input Capacitance	5		pF typ	
DYNAMIC CHARACTERISTICS²				
$t_{TRANSITION}$	40		ns typ	$R_L = 300\ \Omega$, $C_L = 35\text{ pF}$, Test Circuit 5
		60	ns max	$V_{S1} = 1.5\text{ V}/0\text{ V}$, $V_{S16} = 0\text{ V}/1.5\text{ V}$
Break-Before-Make Time Delay, t_D	15		ns typ	$R_L = 300\ \Omega$, $C_L = 35\text{ pF}$;
		1	ns min	$V_S = 1.5\text{ V}$, Test Circuit 6
t_{ON} (EN)	32		ns typ	$R_L = 300\ \Omega$, $C_L = 35\text{ pF}$;
		50	ns max	$V_S = 1.5\text{ V}$, Test Circuit 7
t_{OFF} (EN)	16		ns typ	$R_L = 300\ \Omega$, $C_L = 35\text{ pF}$;
		26	ns max	$V_S = 1.5\text{ V}$, Test Circuit 7
Charge Injection	± 8		pC typ	$V_S = 0\text{ V}$, $R_S = 0\ \Omega$, $C_L = 1\text{ nF}$; Test Circuit 8
OFF Isolation	-60		dB typ	$R_L = 50\ \Omega$, $C_L = 5\text{ pF}$, $f = 10\text{ MHz}$;
	-80		dB typ	$R_L = 50\ \Omega$, $C_L = 5\text{ pF}$, $f = 1\text{ MHz}$; Test Circuit 9
Channel-to-Channel Crosstalk	-60		dB typ	$R_L = 50\ \Omega$, $C_L = 5\text{ pF}$, $f = 10\text{ MHz}$;
	-80		dB typ	$R_L = 50\ \Omega$, $C_L = 5\text{ pF}$, $f = 1\text{ MHz}$; Test Circuit 10
-3 dB Bandwidth				
ADG706	25		MHz typ	$R_L = 50\ \Omega$, $C_L = 5\text{ pF}$, Test Circuit 9
ADG707	36		MHz typ	$R_L = 50\ \Omega$, $C_L = 5\text{ pF}$, Test Circuit 9
C_S (OFF)	13		pF typ	$f = 1\text{ MHz}$
C_D (OFF)				
ADG706	180		pF typ	$f = 1\text{ MHz}$
ADG707	90		pF typ	$f = 1\text{ MHz}$
C_D , C_S (ON)				
ADG706	200		pF typ	$f = 1\text{ MHz}$
ADG707	100		pF typ	$f = 1\text{ MHz}$
POWER REQUIREMENTS				
I_{DD}	0.001		μA typ	$V_{DD} = +2.75\text{ V}$
		1.0	μA max	Digital Inputs = 0 V or 2.75 V
I_{SS}	0.001		μA typ	$V_{SS} = -2.75\text{ V}$
		1.0	μA max	Digital Inputs = 0 V or 2.75 V

NOTES

¹Temperature range is -40°C to +85°C.

²Guaranteed by design, not subject to production test.

Specifications subject to change without notice.

ABSOLUTE MAXIMUM RATINGS¹

(T_A = 25°C unless otherwise noted.)

V _{DD} to V _{SS}	7 V
V _{DD} to GND	-0.3 V to +7 V
V _{SS} to GND	+0.3 V to -3.5 V
Analog Inputs ²	V _{SS} - 0.3 V to V _{DD} + 0.3 V or 30 mA, Whichever Occurs First
Digital Inputs ²	-0.3 V to V _{DD} + 0.3 V or 30 mA, Whichever Occurs First
Peak Current, S or D	100 mA (Pulsed at 1 ms, 10% Duty Cycle max)
Continuous Current, S or D	30 mA
Operating Temperature Range	
Industrial	-40°C to +85°C

Storage Temperature Range	-65°C to +150°C
Junction Temperature	150°C
TSSOP Package	
θ _{JA} Thermal Impedance	97.9°C/W
θ _{JC} Thermal Impedance	14°C/W
Lead Temperature, Soldering (10 sec)	300°C
IR Reflow, Peak Temperature	220°C

NOTES

¹Stresses above those listed under Absolute Maximum Ratings may cause permanent damage to the device. This is a stress rating only; functional operation of the device at these or any other conditions above those listed in the operational sections of this specification is not implied. Exposure to absolute maximum rating conditions for extended periods may affect device reliability. Only one absolute maximum rating may be applied at any one time.

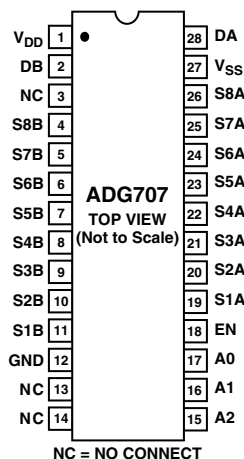
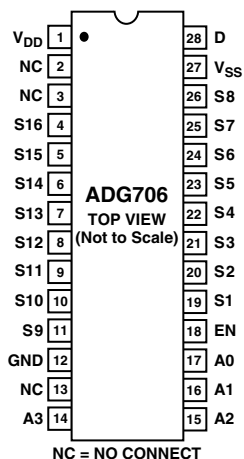
²Overtolerances at A, EN, S, or D will be clamped by internal diodes. Current should be limited to the maximum ratings given.

ORDERING GUIDE

Model ¹	Temperature Range	Package Description	Package Option
ADG706BRU	-40°C to +85°C	28-Lead Thin Shrink Small Outline Package [TSSOP]	RU-28
ADG706BRU-REEL7	-40°C to +85°C	28-Lead Thin Shrink Small Outline Package [TSSOP]	RU-28
ADG706BRUZ	-40°C to +85°C	28-Lead Thin Shrink Small Outline Package [TSSOP]	RU-28
ADG706BRUZ-REEL	-40°C to +85°C	28-Lead Thin Shrink Small Outline Package [TSSOP]	RU-28
ADG706BRUZ-REEL7	-40°C to +85°C	28-Lead Thin Shrink Small Outline Package [TSSOP]	RU-28
ADG707BRU	-40°C to +85°C	28-Lead Thin Shrink Small Outline Package [TSSOP]	RU-28
ADG707BRU-REEL	-40°C to +85°C	28-Lead Thin Shrink Small Outline Package [TSSOP]	RU-28
ADG707BRUZ	-40°C to +85°C	28-Lead Thin Shrink Small Outline Package [TSSOP]	RU-28
ADG707BRUZ-REEL7	-40°C to +85°C	28-Lead Thin Shrink Small Outline Package [TSSOP]	RU-28

¹ Z = RoHS Compliant Part.

PIN CONFIGURATIONS



CAUTION

ESD (electrostatic discharge) sensitive device. Electrostatic charges as high as 4000 V readily accumulate on the human body and test equipment and can discharge without detection. Although the ADG706/ADG707 features proprietary ESD protection circuitry, permanent damage may occur on devices subjected to high energy electrostatic discharges. Therefore, proper ESD precautions are recommended to avoid performance degradation or loss of functionality.



ADG706/ADG707

Table I. ADG706 Truth Table

A3	A2	A1	A0	EN	ON Switch
X	X	X	X	0	NONE
0	0	0	0	1	1
0	0	0	1	1	2
0	0	1	0	1	3
0	0	1	1	1	4
0	1	0	0	1	5
0	1	0	1	1	6
0	1	1	0	1	7
0	1	1	1	1	8
1	0	0	0	1	9
1	0	0	1	1	10
1	0	1	0	1	11
1	0	1	1	1	12
1	1	0	0	1	13
1	1	0	1	1	14
1	1	1	0	1	15
1	1	1	1	1	16

X = Don't Care

Table II. ADG707 Truth Table

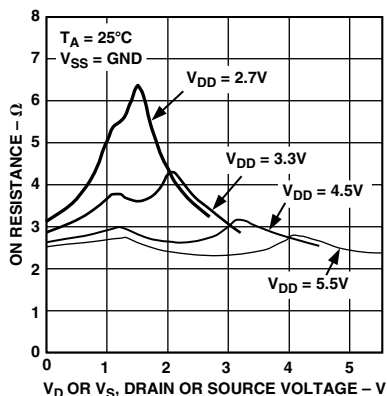
A2	A1	A0	EN	ON Switch Pair
X	X	X	0	NONE
0	0	0	1	1
0	0	1	1	2
0	1	0	1	3
0	1	1	1	4
1	0	0	1	5
1	0	1	1	6
1	1	0	1	7
1	1	1	1	8

X = Don't Care

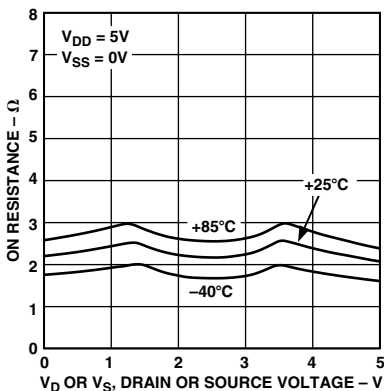
TERMINOLOGY

V_{DD}	Most positive power supply potential	C_D (OFF)	“OFF” Switch drain capacitance. Measured with reference to ground.
V_{SS}	Most negative power supply in a dual-supply application. In single-supply applications, this should be tied to ground at the device.	C_D, C_S (ON)	“ON” Switch capacitance. Measured with reference to ground.
I_{DD}	Positive supply current	C_{IN}	Digital input capacitance
I_{SS}	Negative supply current	$t_{TRANSITION}$	Delay time measured between the 50% and 90% points of the digital inputs and the switch “ON” condition when switching from one address state to another
GND	Ground (0 V) reference	t_{ON} (EN)	Delay time between the 50% and 90% points of the EN digital input and the Switch “ON” condition
S	Source terminal. May be an input or output.	t_{OFF} (EN)	Delay time between the 50% and 90% points of the EN digital input and the Switch “OFF” condition
D	Drain terminal. May be an input or output.	t_{OPEN}	“OFF” Time measured between the 80% points of both switches when switching from one address state to another
AX	Logic control input	Charge Injection	Measure of the glitch impulse transferred from the digital input to the analog output during switching
EN	Active high device enable	OFF Isolation	Measure of unwanted signal coupling through an “OFF” switch
V_D (V_S)	Analog voltage on terminals D, S	Crosstalk	Measure of unwanted signal that is coupled through from one channel to another as a result of parasitic capacitance
R_{ON}	Ohmic resistance between D and S	Bandwidth	Frequency at which the output is attenuated by 3 dB
ΔR_{ON}	ON Resistance match between any two channels, i.e., $R_{ONmax} - R_{ONmin}$	ON Response	Frequency response of the “ON” Switch
$R_{FLAT(ON)}$	Flatness is defined as the difference between the maximum and minimum value of ON resistance as measured over the specified analog signal range.	Insertion Loss	Loss due to the ON Resistance of the switch
I_S (OFF)	Source leakage current with the Switch “OFF”		
I_D (OFF)	Drain leakage current with the Switch “OFF”		
I_D, I_S (ON)	Channel leakage current with the Switch “ON”		
V_{INL}	Maximum input voltage for Logic “0”		
V_{INH}	Minimum input voltage for Logic “1”		
$I_{INL}(I_{INH})$	Input current of the digital input		
C_S (OFF)	“OFF” Switch Source Capacitance. Measured with reference to ground.		

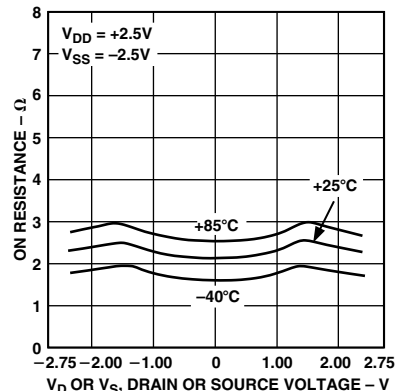
Typical Performance Characteristics—ADG706/ADG707



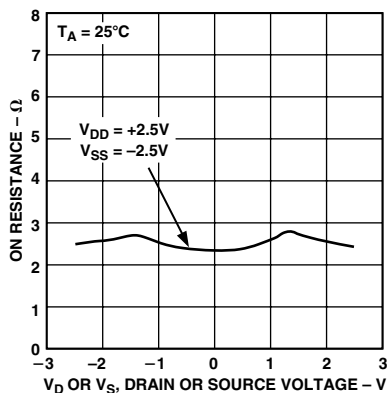
TPC 1. ON Resistance as a Function of V_D (V_S) for Single Supply



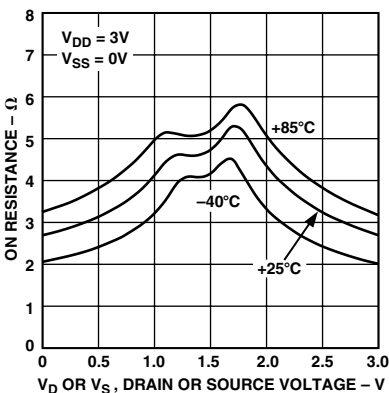
TPC 2. ON Resistance as a Function of V_D (V_S) for Different Temperatures, Single Supply



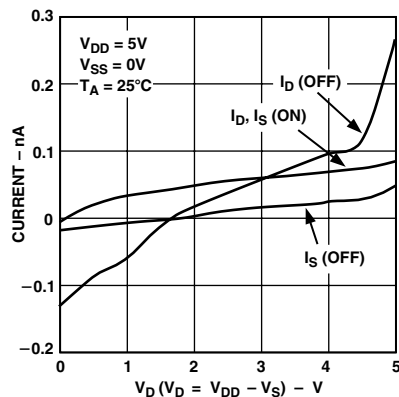
TPC 3. ON Resistance as a Function of V_D (V_S) for Different Temperatures, Dual Supply



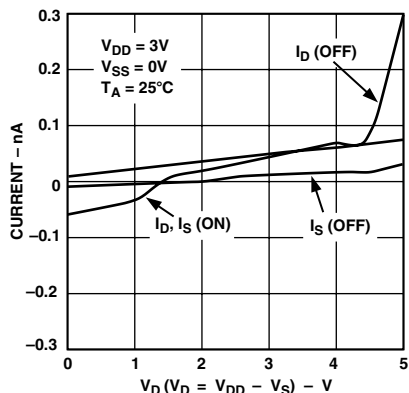
TPC 4. ON Resistance as a Function of V_D (V_S) for Dual Supply



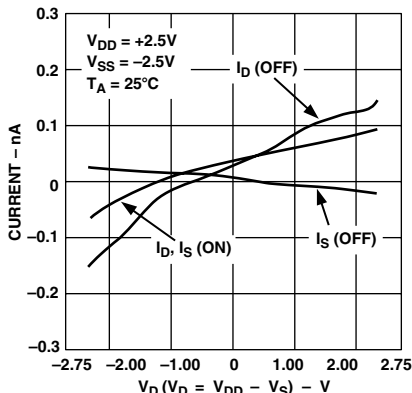
TPC 5. ON Resistance as a Function of V_D (V_S) for Different Temperatures, Single Supply



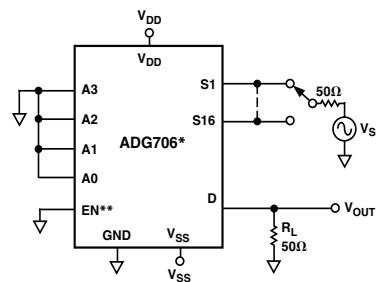
TPC 6. Leakage Currents as a Function of V_D (V_S)



TPC 7. Leakage Currents as a Function of V_D (V_S)



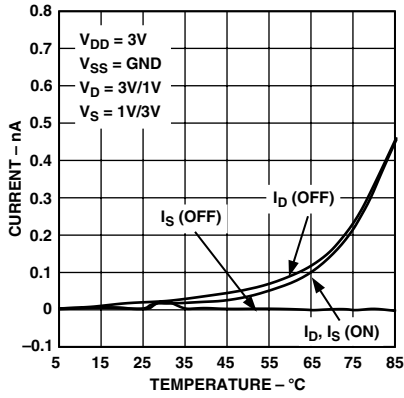
TPC 8. Leakage Currents as a Function of V_D (V_S)



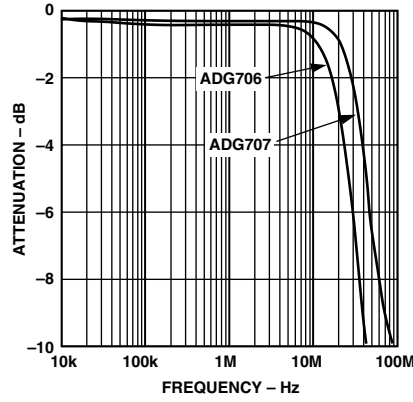
*SIMILAR CONNECTION FOR ADG707
 **CONNECT TO 2.4V FOR BANDWIDTH MEASUREMENTS
 OFF ISOLATION = $20 \log_{10} \left(\frac{V_{OUT}}{V_S} \right)$
 INSERTION LOSS = $20 \log_{10} \left(\frac{V_{OUT \text{ WITH SWITCH}}}{V_{OUT \text{ WITHOUT SWITCH}}} \right)$

TPC 9. Leakage Currents as a Function of Temperature

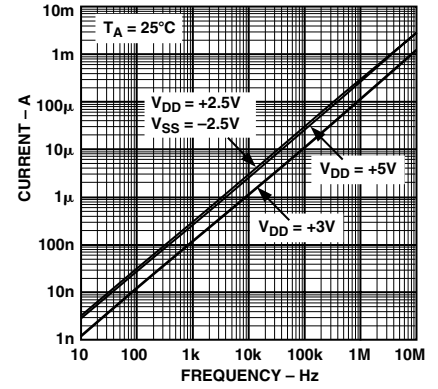
ADG706/ADG707



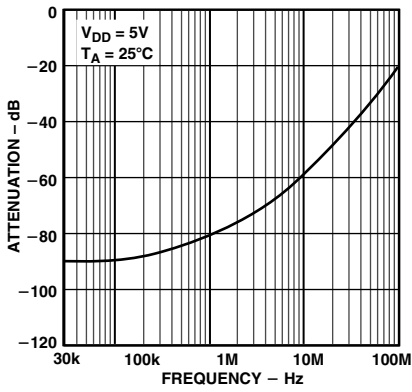
TPC 10. Leakage Currents as a Function of Temperature



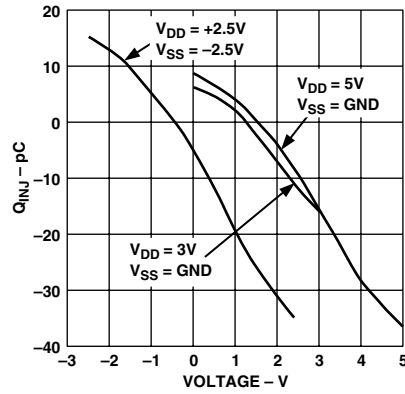
TPC 11. ON Response vs. Frequency



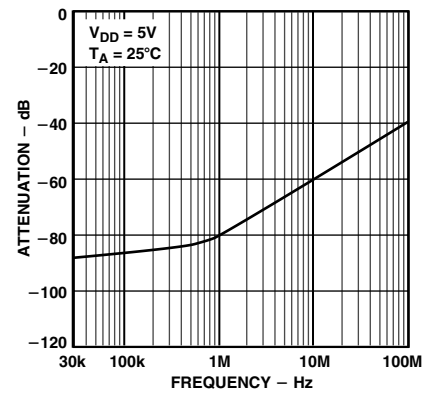
TPC 12. Supply Currents vs. Input Switching Frequency



TPC 13. OFF Isolation vs. Frequency

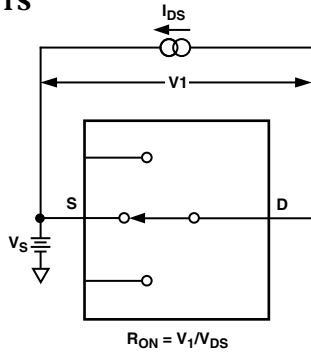


TPC 14. Charge Injection vs. Source Voltage

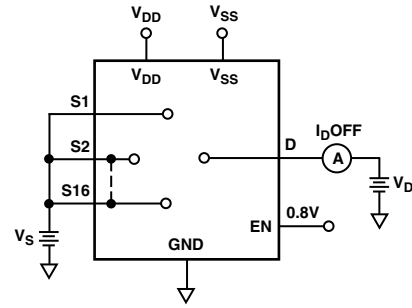


TPC 15. Crosstalk vs. Frequency

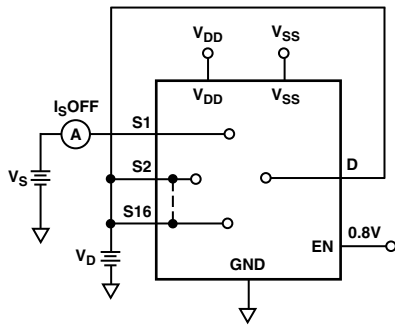
TEST CIRCUITS



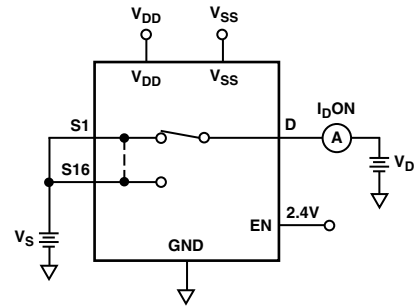
Test Circuit 1. ON Resistance



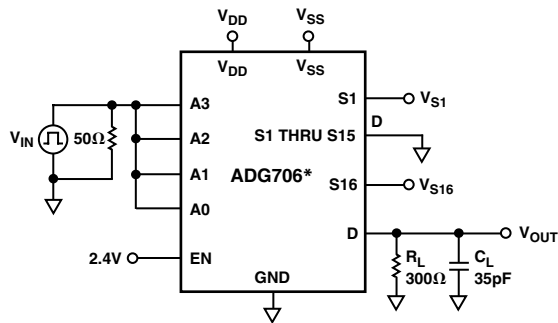
Test Circuit 3. I_D (OFF)



Test Circuit 2. I_S (OFF)

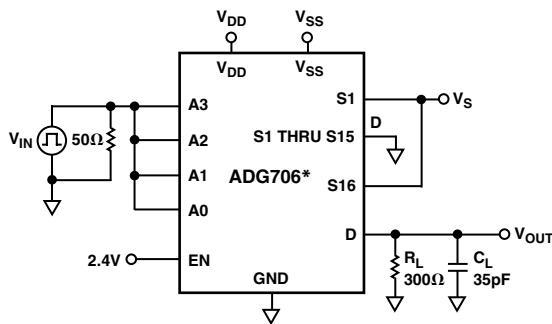
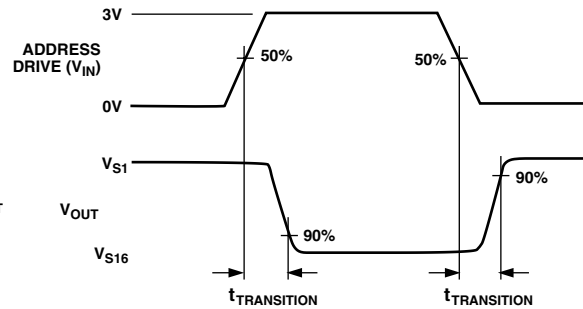


Test Circuit 4. I_D (ON)



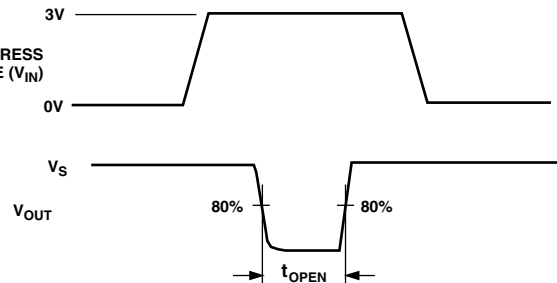
*SIMILAR CONNECTION FOR ADG707

Test Circuit 5. Switching Time of Multiplexer, $t_{TRANSITION}$

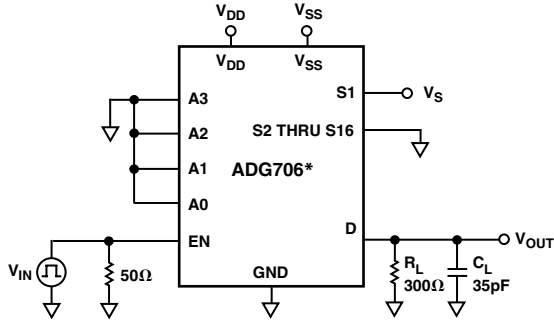


*SIMILAR CONNECTION FOR ADG707

Test Circuit 6. Break-Before-Make Delay, t_{OPEN}

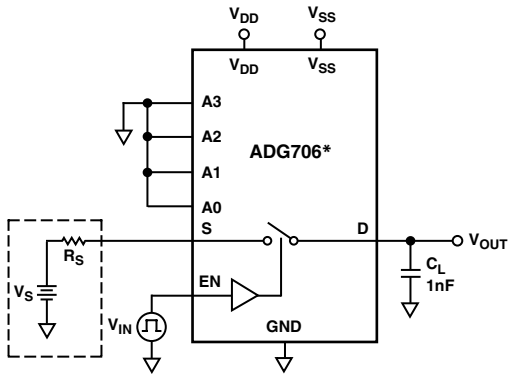


ADG706/ADG707



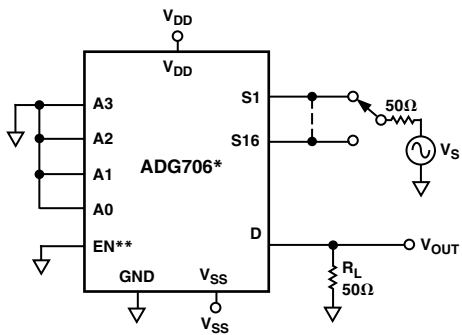
*SIMILAR CONNECTION FOR ADG707

Test Circuit 7. Enable Delay, $t_{ON}(EN)$, $t_{OFF}(EN)$



*SIMILAR CONNECTION FOR ADG707

Test Circuit 8. Charge Injection



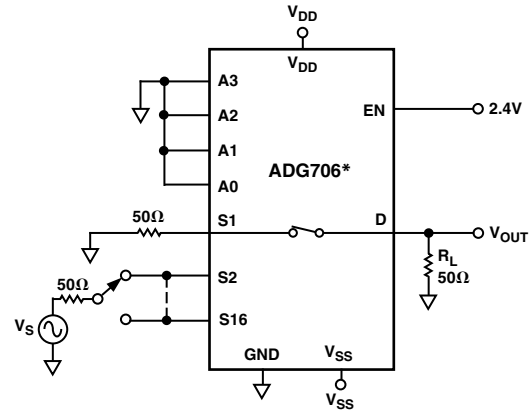
*SIMILAR CONNECTION FOR ADG707

**CONNECT TO 2.4V FOR BANDWIDTH MEASUREMENTS

OFF ISOLATION = $20\text{LOG}_{10}(V_{OUT}/V_S)$

INSERTION LOSS = $20\text{LOG}_{10}\left(\frac{V_{OUT} \text{ WITH SWITCH}}{V_{OUT} \text{ WITHOUT SWITCH}}\right)$

Test Circuit 9. OFF Isolation and Bandwidth

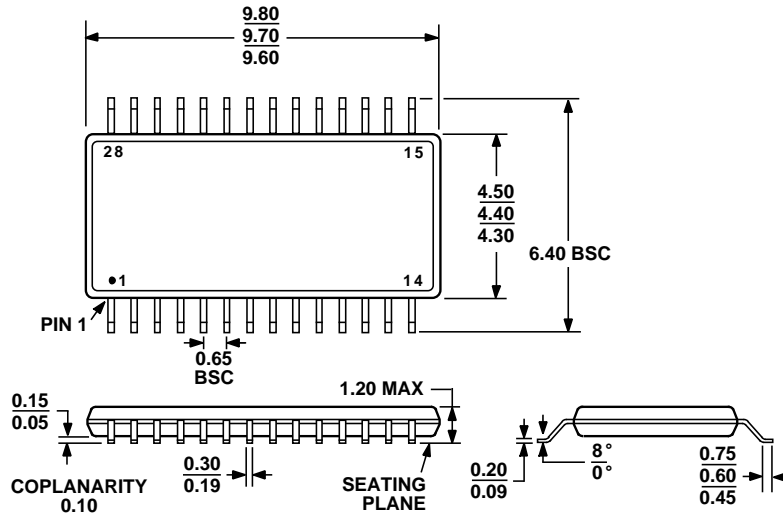


*SIMILAR CONNECTION FOR ADG707

CHANNEL-TO-CHANNEL CROSSTALK = $20\text{LOG}_{10}(V_{OUT}/V_S)$

Test Circuit 10. Channel-to-Channel Crosstalk

OUTLINE DIMENSIONS



COMPLIANT TO JEDEC STANDARDS MO-153-AE

28-Lead Thin Shrink Small Outline Package [TSSOP]
(RU-28)

Dimensions shown in millimeters

ADG706/ADG707

Revision History

Location	Page
3/16—Data Sheet changed from REV. A to REV. B.	
Changes to ORDERING GUIDE	5
Updated OUTLINE DIMENSIONS	11
5/02—Data Sheet changed from REV. 0 to REV. A.	
Edits to FEATURES and PRODUCT HIGHLIGHTS	1
Changes to SPECIFICATIONS	2
Edits to ABSOLUTE MAXIMUM RATINGS notes	5
Edits to TPCs 2, 3, 4, 6–9, 12, 14	7–8
Edits to Test Circuits 9 and 10	10

Mouser Electronics

Authorized Distributor

Click to View Pricing, Inventory, Delivery & Lifecycle Information:

[Analog Devices Inc.:](#)

[ADG707BRUZ-REEL7](#) [ADG707BRUZ](#)