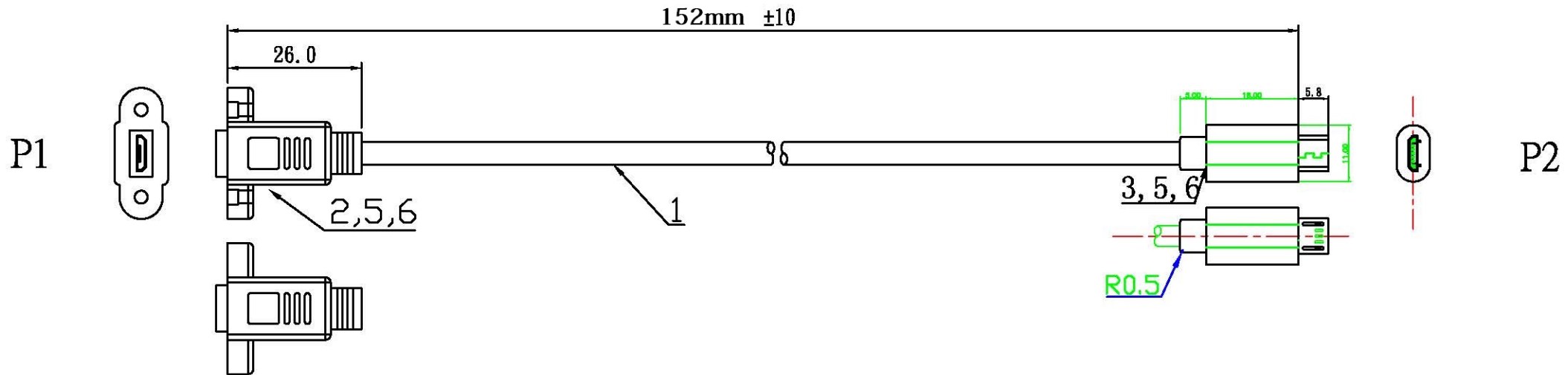


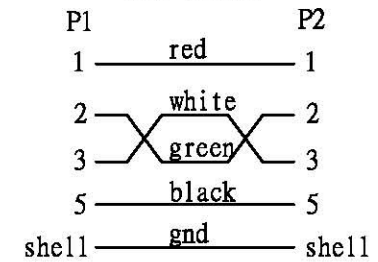
REV	ECRN	DATE
1	NEW PRODUCTION	20190621



NOTES:

1. ELECTRICAL TEST: 100% OPEN, SHORT & MIS WIRE TEST.
2. CONTACT RESISTANCE: 10 ohm,
3. INSULATOR RESISTANCE: 5M ohm.
4. HIGH VOLTAGE: DC 300V 0.01sec.
5. MUST BE ROHS COMPLIANT.

PIN WIRING



NO.	PART NO	ITEM	DESCRIPTION	Q'TY	UNIT
⑦	C.045P01.0100R	MOLDING	PVC 45P BLACK	8.5	G
⑥	C.000P00.0000R	MOLDING	PE	2.5	G
⑤	J.000008.0500R	TIN WIRE	TIN WIRE OD:0.8MM	1.0	G
④		NUT	M3 NUT: M3*5.5*2.38mm	1	PCS
③	B.03005M.0N03R	CONNECTOR	MICRO USB 5P MALE PIN GOLDEN PLATED SHELL NICKEL PLASTIC:BLACK	1	PCS
②	B.01004M.0N08R	CONNECTOR	MICRO USB 5P FEMALE PIN GOLDEN PLATED SHELL NICKEL PLASTIC:BLACK	1	PCS
①		CABLE	UL2725 28AWG(7/0.12BC)*1P+26AWG(7/0.16BC)*2C+AL+D(1/0.25BC)+B(32/0.10CCAM) JACKET PVC 60P BLACK OD:4.5±0.1mm L=300	1	PCS

RoHS COMPLIANT			朋联电子有限公司	
			DongGuan PengLian Electronics Co.,Ltd TEL:076938835098/38835095 FAX:076938835091	
DRAWN BY		比例: FREE	TITLE: MICRO USB B/F 5P B TO MICRO USB B/M 5P B	
CHECKED BY		單位: mm	SUPPLIER'S ITEM: 9.00ACCA2551.000R	
APPROVED BY			CUSTOMER:	
			CUSTOMER'S ITEM:	
			DRAWING NO. ACCA-2551	DATE 2019.06.21

Mouser Electronics

Authorized Distributor

Click to View Pricing, Inventory, Delivery & Lifecycle Information:

[SparkFun Electronics:](#)

[CAB-15464](#)