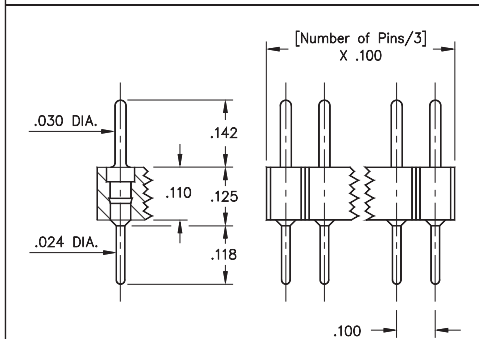
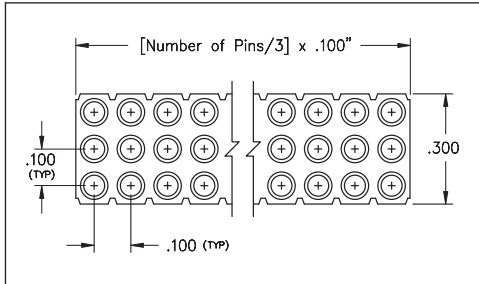
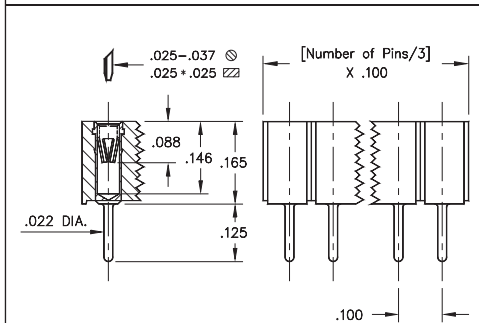
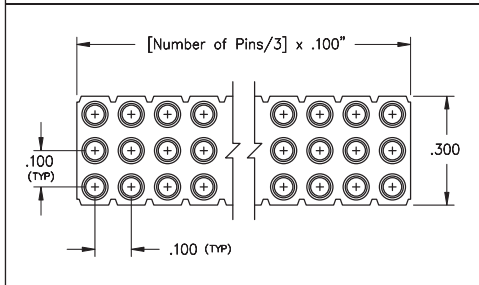


# INTERCONNECTS

## SERIES 804 & 805 • .100" GRID (.030" DIA. PINS), HEADERS AND SOCKETS • TRIPLE ROW

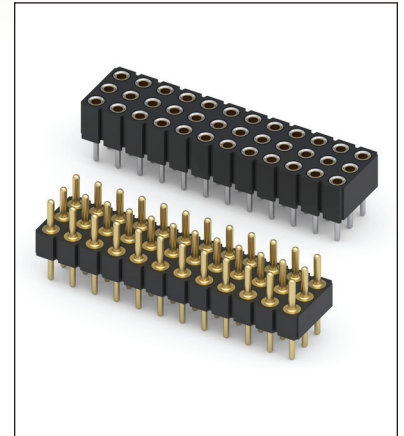


**FIG. 1**



**FIG. 2**

- Series 804 triple row .100" grid headers uses MM #5016 pins. See page 215 for details
- Series 805 triple row .100" grid sockets uses MM #1303 pins. See page 180 for details
- Series 805 triple row .100" grid sockets uses Hi-Rel, 6-finger BeCu #47 contact rated at 4.5 amps. See page 256 for details
- Insulators are high temperature thermoplastic, suitable for all soldering operations



### ORDERING INFORMATION

<b>FIG. 1</b>	<b>Series 804...002</b>	<b>Straight Pin Header</b>			
	804-10-0	-10-002000			
	Specify number of pins	09-96			
	<b>RoHS - 2</b> 2011/65/EU	<b>XX=Plating Code</b> See Below	For Electrical, Mechanical & Environmental Data, See page 264		
	<b>SPECIFY PLATING CODE XX=</b>	10			
	Pin Plating	10 μ" Au			

<b>FIG. 2</b>	<b>Series 805...012</b>	<b>Straight Pin Socket</b>			
	805-43-0	-10-012000			
	Specify number of pins	09-96			
	<b>RoHS - 2</b> 2011/65/EU	<b>XX=Plating Code</b> See Below	For Electrical, Mechanical & Environmental Data, See page 264		
	<b>SPECIFY PLATING CODE XX=</b>				43
	Sleeve (Pin)				200 μ" Sn
	Contact (Clip)				30 μ" Au



# Mouser Electronics

Authorized Distributor

Click to View Pricing, Inventory, Delivery & Lifecycle Information:

[Mill-Max:](#)

[804-10-096-10-002000](#) [805-43-096-10-012000](#)