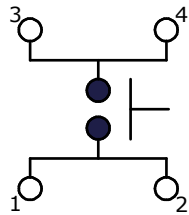
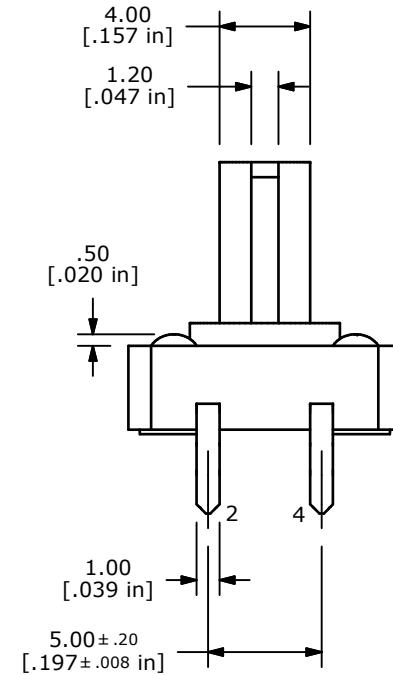
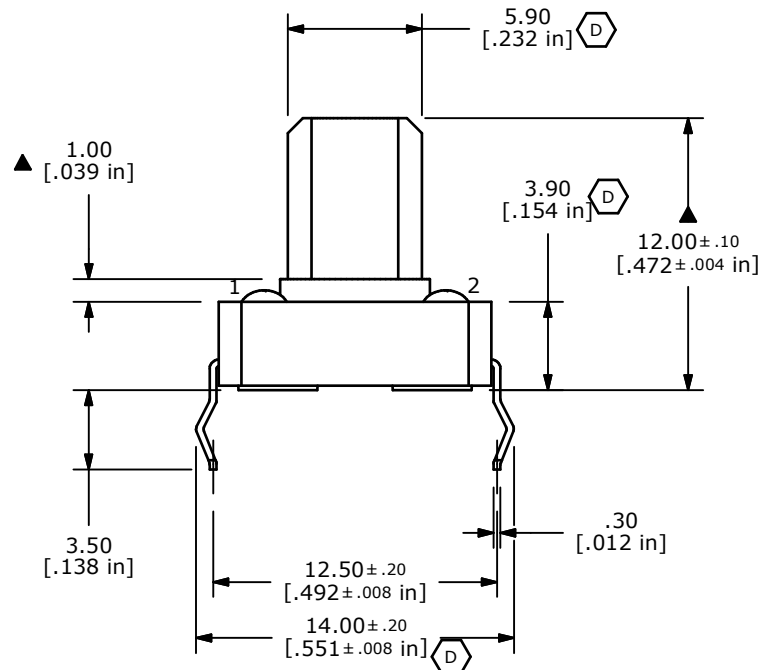
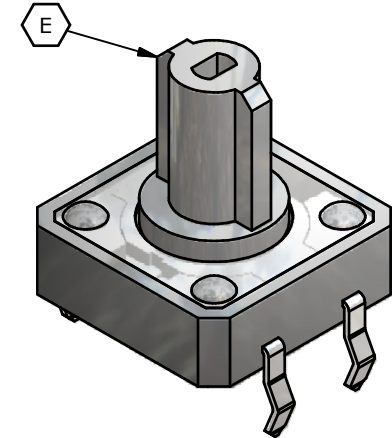
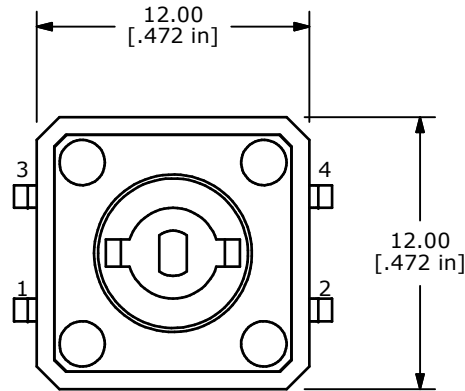


PCB MOUNTING



CIRCUIT: SPST



NOTES:

- 1. ALL DIMENSIONS IN MM [INCH]
- 2. GENERAL TOLERANCE: X.X=±0.4
X.XX=±0.25
- 3. TERMINAL NUMBERS FOR REF. ONLY
- ▲4. CONTACT RATING: 50mA @ 12VDC
- 5. TRAVEL: 0.30±0.15mm
- 6. OPERATING FORCE: 160±50mN
- 7. CONTACT RESISTANCE: 100mΩ MAX.
- 8. ELECTRICAL LIFE: 100,000 CYCLES
- 9. ▲ DENOTES CRITICAL PARAMETER
- 10. 2002/95/EC (ROHS) COMPLIANT
- 11. CONTACT MATERIAL: SILVER
- ▲12. PACKAGE: 450 PIECES PER POLYBAG

E-SWITCH®

E	20797	CHANGE ACTUATOR TAB ORIENTATION	10/01/12	EBP
D	19578	CHANGED DIMS was 3.9, 14.1, 6.0	1/12/11	BGL
REV	PCR NO	DESCRIPTION	DATE	BY

TITLE TL1100FF160Q				
SCALE	DATE	DR	DWG	REV
3:1	1/12/2011	BGL	P001101	E

THE INFORMATION CONTAINED IN THIS DOCUMENT IS PROPRIETARY TO E-SWITCH AND IS NOT TO BE COPIED OR TRANSFERRED