

D-SUB PLASTIC HOOD

Design for power 2W2 Combination D-SUB Connectors – Wire size AWG 8...20

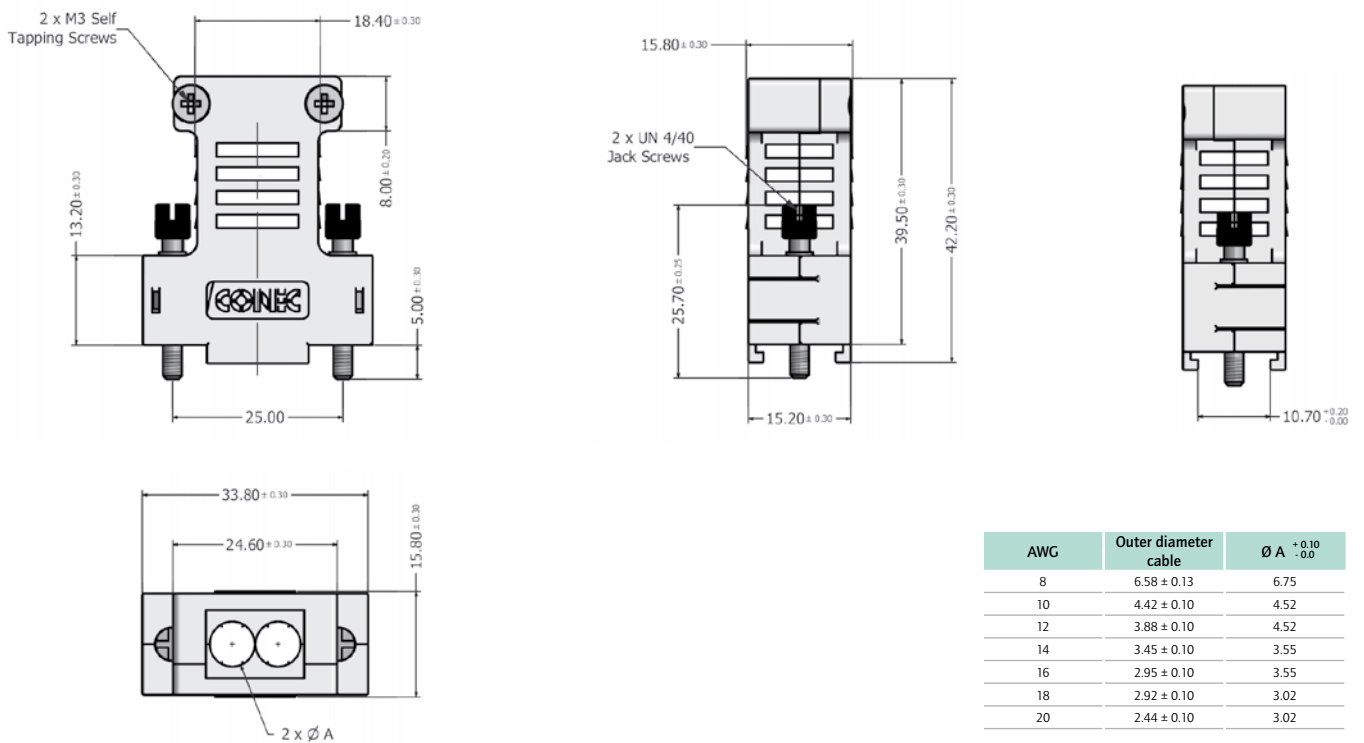


RoHS compliant – CSA listed, File No.: LR 115000-1 – UL listed, File No.: E202784

DESCRIPTION

- Hood for 2W2 Combination D-SUB Connector
- Design: round cable entries with strain relief for wire size AWG 8...20
- Material: Plastic hood grey: PA 6.6 Glas filled, UL 94 V-0
- Fastening: 4-40 UNC jack screws
- Bulk or single packaged units

PRODUCT DRAWING



ORDER DATA

D-SUB PLASTIC HOOD 2W2

Cable bushing	Design	Part Number
Two supplied for	AWG 8	165 X 17889 X
Two supplied for	AWG 10 / AWG 12	165 X 17949 X
Two supplied for	AWG 14 / AWG 16	165 X 17959 X
Two supplied for	AWG 18 / AWG 20	165 X 17969 X

For single packaged add the letter „E“ at the end of the part number.

Mouser Electronics

Authorized Distributor

Click to View Pricing, Inventory, Delivery & Lifecycle Information:

[Amphenol:](#)

[165X17889X](#) [165X17959X](#)