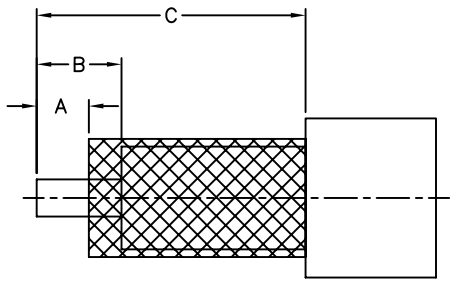
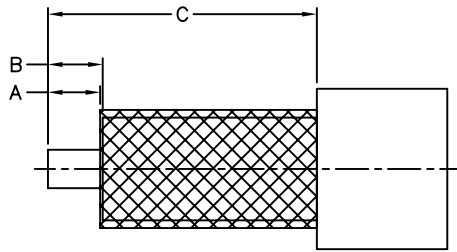


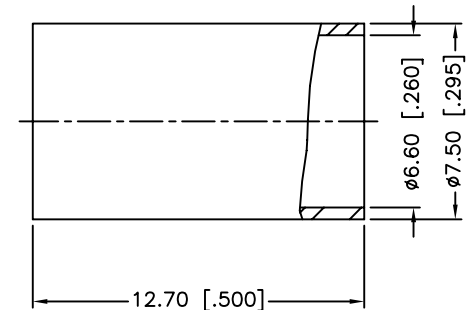
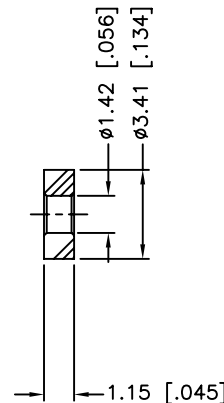
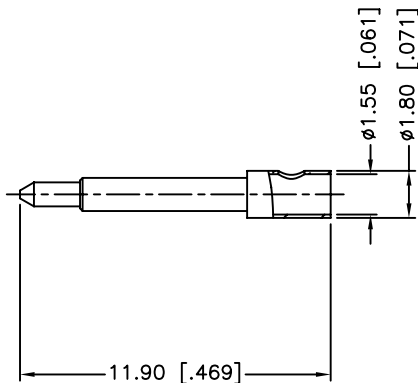
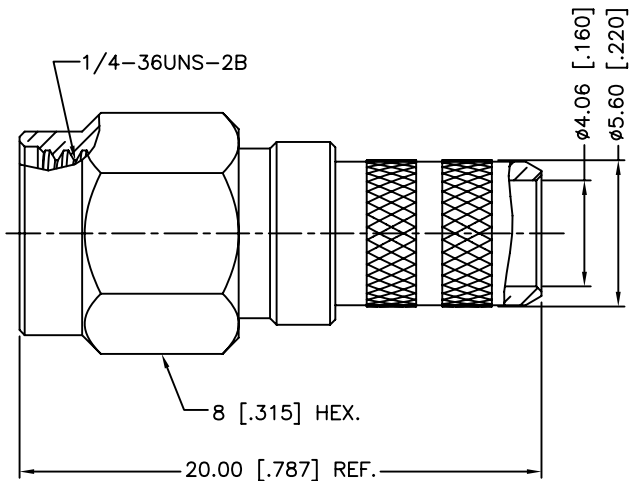
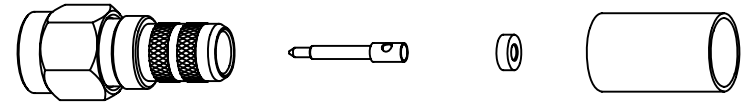
REV.	DATE	ECR NO.	DESCRIPTION
NC	05/20/02	XXXXXX	INITIAL RELEASE
A	11/26/03	XXXXXX	UPDATE DRAWING FORMAT
B	11/22/13	2663	ADD SPACER, ADD TABLE A AND MODIFY STRIPPING DIMENSIONS, ADD ELECTRICAL/MECHANICAL NOTES, UPDATE DRAWING FORMAT



LMR-240



RG-8/X



1. IMPEDANCE: 50 OHM
2. FREQUENCY RANGE: 0-12.4 GHZ
3. DIELECTRIC WITHSTANDING VOLTAGE: 1000 VRMS, MIN.
4. DURABILITY: 500 CYCLES MIN.
5. TEMPERATURE RANGE: -65°C TO +165°C
6. CRIMPED FERRULE
HEX. CRIMP SIZE .255"
7. CONTACT PIN TO SOLDER
8. SEE TABLE A FOR RECOMMENDED CABLE STRIPPING DIMENSIONS

CABLE TYPE	DIMENSION A	DIMENSION B	DIMENSION C	SPACER REQUIRED
LMR-240	2 [.079]	3.25 [.128]	10.3 [.406]	YES
RG-8/X	2 [.079]	2.1 [.083]	10.3 [.406]	NO

DESCRIPTION	MATERIAL	FINISH	QTY
8 FERRULE	BRASS	GOLD	1
7 SPACER	PTFE	NATURAL	1
6 CONTACT PIN	BRASS	GOLD	1
5 BODY	BRASS	GOLD	1
4 INSULATOR	PTFE	NATURAL	1
3 RETAINER RING	SUS 304	NATURAL	1
2 GASKET	SILICONE RUBBER	RED	1
1 SHELL	BRASS	GOLD	1

UNLESS OTHERWISE SPECIFIED DIMENSIONS ARE IN MILLIMETERS. DIMENSIONS IN [] ARE IN INCHES AND FOR CUSTOMER REFERENCE ONLY.
UNLESS OTHERWISE SPECIFIED
TOLERANCES FOR MILLIMETERS ARE:
<.05 ± 0.05mm
0.5 - 6mm ± 0.10mm
6 - 30mm ± 0.20mm
30 - 120mm ± 0.30mm
ANGLES ± 1°
UNLESS OTHERWISE SPECIFIED
TOLERANCES FOR INCHES ARE:
<.020 ± 0.002"
.020 - .236 ± 0.004"
.236 - 1.180 ± 0.007"
1.180 - 4.724 ± 0.012"
ANGLES ± 1°
DO NOT SCALE DRAWING

APPROVALS	DATE
DRAWN M.ZHANG	11/22/13
CHECKED	
ISSUED	
SHEET 1 OF 1	
CAD FILE C:/CONNEX/CONNEX.DWG	

Amphenol Connex

PART DESCRIPTION
**SMA CRIMP PLUG
(FOR RG-8/X, LMR-240 CABLE)**

PART NO.
132231

DWG. NO. 132231.DWG REV. B SIZE A SCALE NA

Mouser Electronics

Authorized Distributor

Click to View Pricing, Inventory, Delivery & Lifecycle Information:

[Amphenol:](#)

[132231](#)