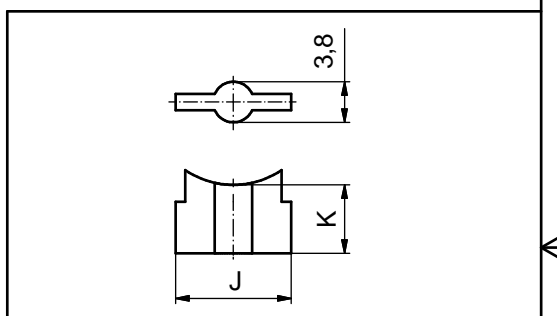
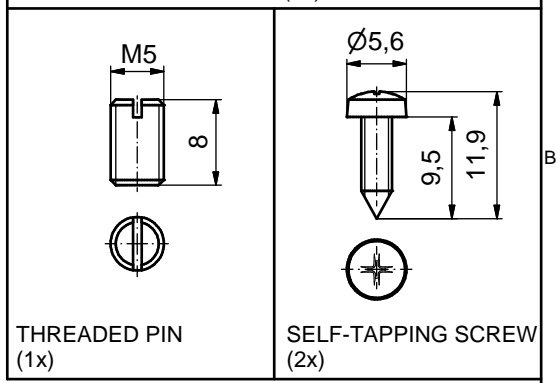


| POS. | A | B | C | D | E | F | G | H | J | K | PART-NO. |
|------|------|------|------|-----|------|------|------|------|------|------|------------|
| 9 | 30.9 | 25.0 | 25.4 | 7.1 | --- | --- | 12.7 | 14.3 | 10.8 | 5.0 | 165X10439X |
| 15 | 39.3 | 33.3 | 25.4 | 9.1 | --- | --- | 12.7 | 14.3 | 10.8 | 5.0 | 165X10449X |
| 25 | 53.2 | 47.0 | 31.7 | --- | 12.5 | 9.1 | 12.7 | 14.3 | 10.8 | 6.4 | 165X10459X |
| 37 | 69.4 | 63.5 | 38.1 | --- | 17.6 | 9.1 | 12.7 | 14.3 | 10.8 | 11.0 | 165X10469X |
| 50 | 67.1 | 61.1 | 38.1 | --- | 18.6 | 11.9 | 15.5 | 17.0 | 13.8 | 11.4 | 165X10479X |

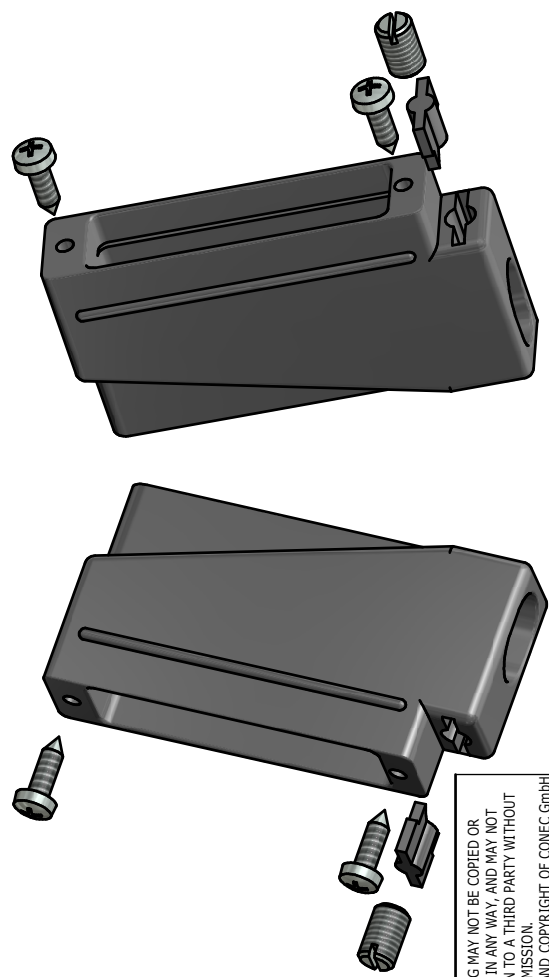


CABLE STRAIN RELIEF (1x)



THREADED PIN (1x)

SELF-TAPPING SCREW (2x)



NOTES:

- HOOD: POLYAMIDE 6 UL 94 V-0; BLACK
- CABLE STRAIN RELIEF: POLYAMIDE 6 UL 94 V-0; BLACK
- THREADED PIN: STEEL; ZINC PLATED
- SELF-TAPPING SCREWS: STEEL; ZINC PLATED
- OPERATING TEMPERATURE: -40°C to +125°C

Directive 2011/65/EU RoHS compliant

| | | | | | | | | |
|--|-------------|------|------|--------------------|----------|--------------|---|--|
| THIS DRAWING MAY NOT BE COPIED OR REPRODUCED IN ANY WAY, AND MAY NOT BE PASSED ON TO A THIRD PARTY WITHOUT WRITTEN PERMISSION. OWNERSHIP AND COPYRIGHT OF CONEC GmbH | | | | tolerance | | dim. in mm | scale: 2:1 | |
| | | | | date | | | material: SEE NOTES | |
| DO NOT ALTER CAD DRAWING BY HAND | | | | drawn | 25.10.95 | Barcinski | title: D-SUB PLASTIC HOOD SIDE CABLE ENTRY 9-50pos. | |
| | | | | appd. | 25.10.95 | Mickenbecker | | |
| 5 x b A5400 22.10.2014 Lehm. | | | | norm | dwg no: | | | |
| | | | | d-old | | | 16V11P5A | |
| rev. | description | date | name | part no: SEE TABLE | | | | |



Mouser Electronics

Authorized Distributor

Click to View Pricing, Inventory, Delivery & Lifecycle Information:

[Amphenol:](#)

[165X10459X](#) [165X10469X](#) [165X10449X](#) [165X10439X](#) [165X10479X](#)