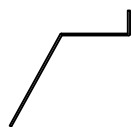
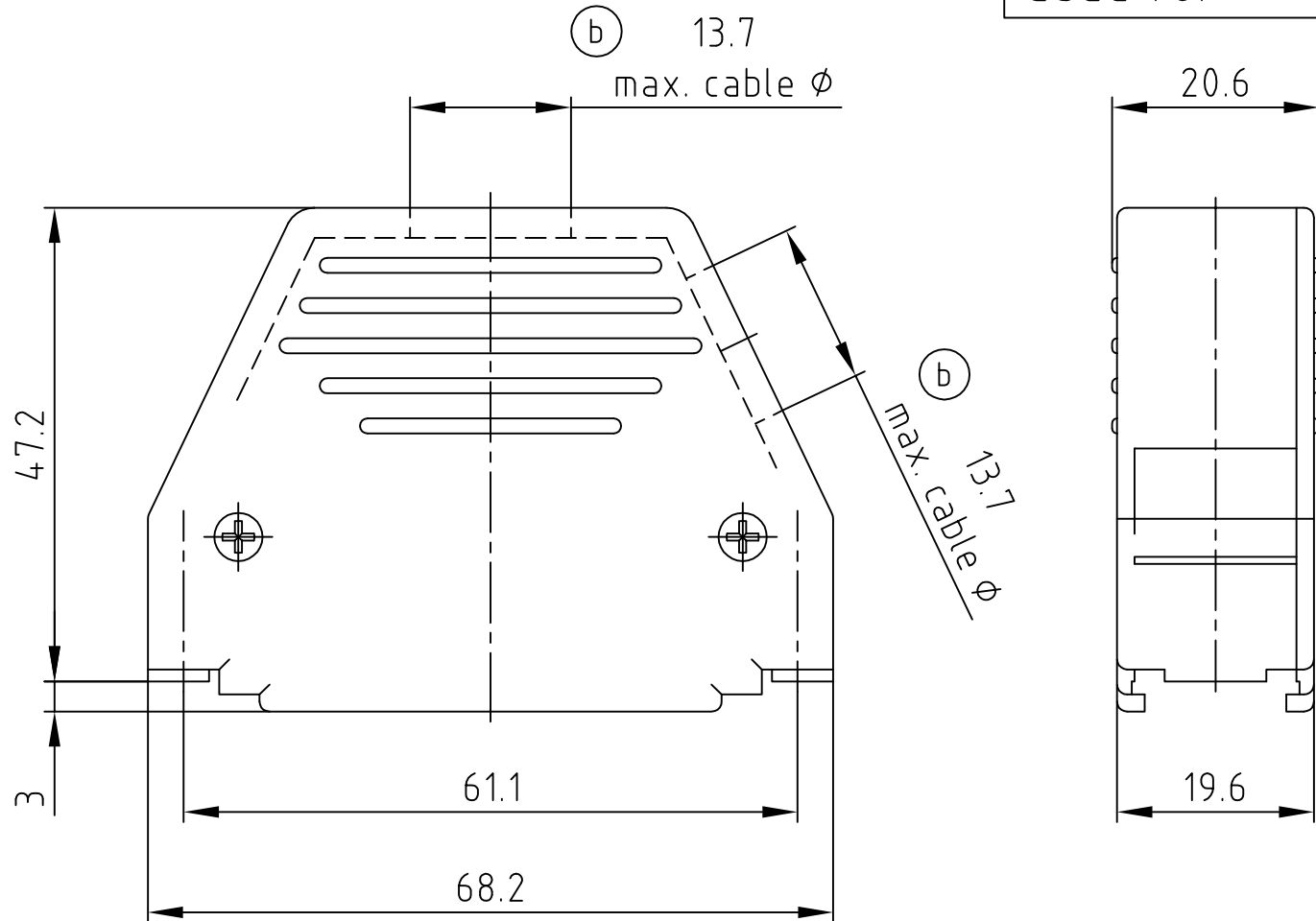


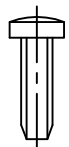
used for: D-SUB



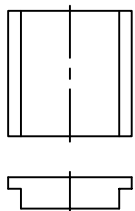
1 x SPRING



1 x SLIDE LOCK



2 x SCREW



1 x BLIND PLUG

|   |        |
|---|--------|
| APPROVAL # FREIGABE # DEBLOCAGE # AUTOR/ZACION # APPROVAL |        |
| CUSTOMER APPROVAL DATE:                                   |        |
| NAME:   | TITLE: |
| COMPANY NAME:   |        |
| APPROVAL # FREIGABE # DEBLOCAGE # AUTOR/ZACION # APPROVAL |        |

MATERIAL:  
 HOOD: ABS UL 94 V-0; METALLIZED  
 SPRING: STEEL; TIN PLATED  
 SLIDE LOCK: STEEL; NICKEL PLATED  
 SCREWS: STEEL; NICKEL PLATED  
 BLIND PLUG: ABS UL 94 V-0; METALLIZED

THIS DRAWING MAY NOT BE COPIED OR REPRODUCED IN ANY WAY, AND MAY NOT BE PASSED ON TO A THIRD PARTY WITHOUT WRITTEN PERMISSION.  
 OWNERSHIP AND COPYRIGHT OF CONEC GmbH  
 DO NOT ALTER CAD DRAWING BY HAND

|       |             |            |      |               |            |                     |
|-------|-------------|------------|------|---------------|------------|---------------------|
|       |             |            |      | tolerance     |            | scale: 1:1          |
|       |             |            |      |               | dim. in mm | material: SEE NOTES |
|       |             |            |      | 2005          | date       | name                |
|       |             |            |      | drawn         | 24.06.     | Lehmenkühler        |
|       |             |            |      | appd.         | 24.06.     | Fischer             |
|       |             |            |      | norm          |            |                     |
|       |             |            |      | d-old         |            |                     |
| 2 x b | Ä 2620      | 05.12.2006 | ES   | <b>CONEC®</b> |            |                     |
| rev.  | description | date       | name |               |            |                     |

|          |  |  |         |
|----------|--|--|---------|
| title:   |  | PLASTIC HOOD<br>50pos.<br>with slide lock and spring |         |
| dwg no:  |  |  |         |
| part no: |  | 16K1A1435  | sh: 1/1 |
|          |  | 165X16569X   |         |

# Mouser Electronics

Authorized Distributor

Click to View Pricing, Inventory, Delivery & Lifecycle Information:

[Amphenol:](#)

[165X16569X](#)