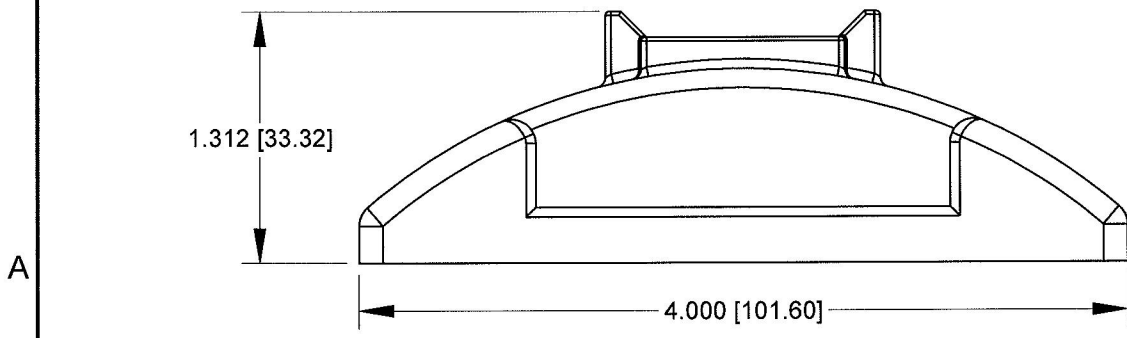
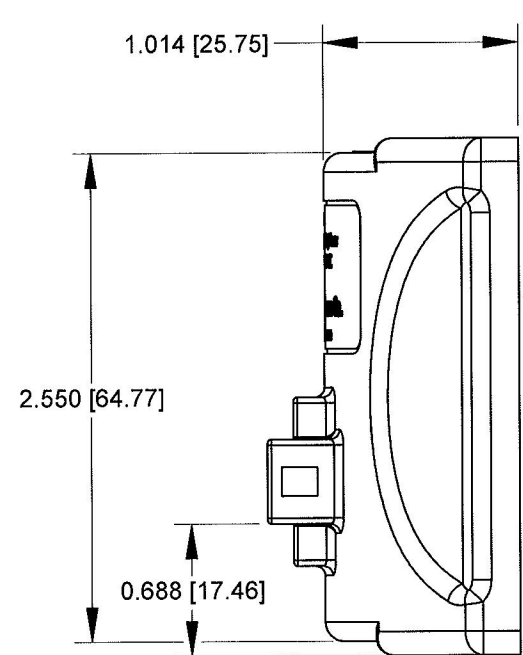
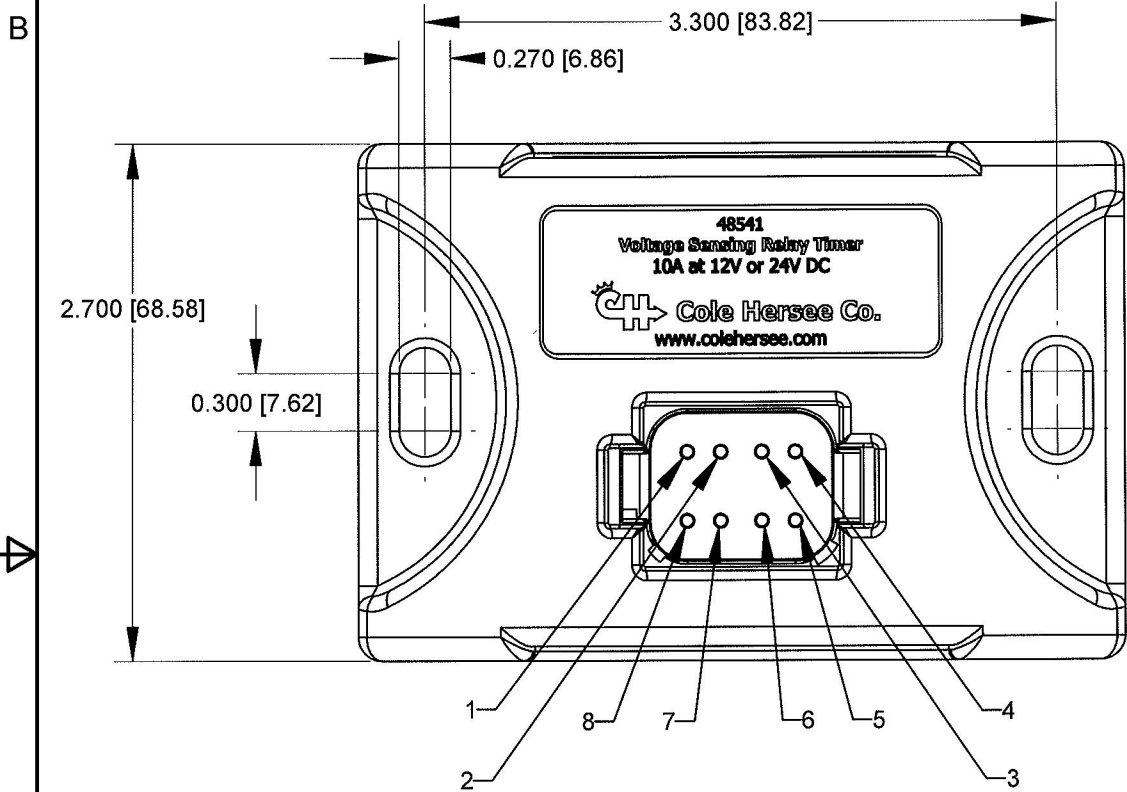
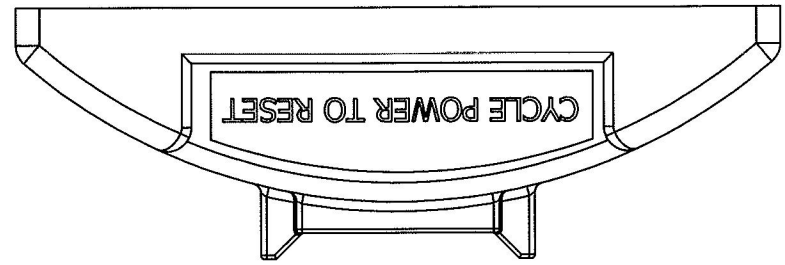


4 3 2 1



NOTES:

- ALL DIMENSIONS ARE REFERENCE ONLY
- SPECIFICATIONS:
 OPERATING VOLTAGE: 9-32VDC
 CURRENT RATING: COIL+ 10A AT 85°C
 STATUS 0.2A AT 85°C
 QUIESCENT CURRENT 2 mA MAX
 OPERATING TEMPERATURE: -40°C TO 85°C
 OVERCURRENT THRESHOLD: 12 - 17A (COIL+ ONLY)
- CONNECTOR PINOUT:
 PIN1: KEYED IGNITION SOURCE
 PIN2: GROUND (BATTERY-)
 PIN3: COIL+/LOAD+
 PIN4: BATTERY+
 PIN5: UNUSED
 PIN6: STATUS
 PIN7: REDUNDANT GROUND (BATTERY-)
 PIN8: REDUNDANT GROUND (BATTERY-)
- MATING CONNECTOR: DEUTSCH P/N DT06-08S
- MATING PINS: DEUTSCH P/N 0462-201-16141
- UNUSED PINS SHOULD BE SEALED WITH BLANKING PIN- DEUTSCH P/N: 114017
- ONLY ONE GROUND (BATTERY -) CONNECTION IS REQUIRED FOR PROPER OPERATION. ALL OTHER GROUNDS ARE REDUNDANT
- SEALED TO IP67 (PROVIDED BLANKING PINS USED)

Revision Control Record				Rev.	Description of Change	ECN No.	Date
Rev.	Description of Change	ECN No.	Date				
A	RELEASED DRAWING	09529	11/04/09				
B	ADDED VIEW & DIM	11111	4/20/11				

Tolerances Unless otherwise specifically noted, the following are default tolerances;
2-places **3-places** **Angular**
 +/- 0.02" +/- 0.005" +/- 1'
 Metric: Shown in [] refers to equivalent English Dim Tol
 "REF." or an Asterisk (*) = Non-Toleranced Reference Dimension, shown for clarification purposes only.
 NOTE: All tolerances are Non-Cumulative.

PROPRIETARY INFORMATION This Engineering Drawing, and the information contained herein, is proprietary to Cole Hersee Company and may not be disclosed, re-produced, or in any other way transferred or communicated to any other party without the express written consent of an authorized representative of Cole Hersee Company.

Special Characteristics:
 Critical Characteristic, relating to Safety and/or Regulatory Compliance
 Significant Characteristic relating to Process Control
 Control Dimension relating to Form - Fit - Function as defined by Cole Hersee Company and/or the Customer

Cole Hersee Co.
 20 Old Colony Ave., South Boston, MA, 02127
 Phn: 617-268-2100 Web: www.colehersee.com

Description: VOLTAGE SENSING RELAY TIMER

Drawing / Part No.: **48541** Current Rev.: **B**

4 3 2 1

A

A

B

B

FORM CHT-6 (2/07)

Used On or Ref.: **EX28647**

Scale: 1:1

Drawn By: **CN**

Date Drawn: **09/14/09**

Pg. 1 of 2

4

3

2

1

B

B

A

A

48541-01	15	12.1	24.2	60	12805
48541	15	12.1	24.2	60	None
COLE HERSEE PART NUMBER	Key Off Timer (minutes)	12V System Disconnect Threshold (Volts)	24V System Disconnect Threshold (Volts)	Disconnect Alarm Period (seconds)	Kit

Revision Control Record

Rev.	Description of Change	ECN No.	Date

SEE PAGE 1

Tolerances Unless otherwise specifically noted, the following are default tolerances:
2-places **3-places** **Angular**
 +/- 0.02" +/- 0.005" +/- 1'
 Metric: Shown in [] refers to equivalent English Dim Tol
 "REF." or an Asterisk (*) = Non-Toleranced Reference Dimension, shown for clarification purposes only.
 NOTE: All tolerances are Non-Cumulative.

PROPRIETARY INFORMATION This Engineering Drawing, and the information contained herein, is proprietary to Cole Hersee Company and may not be disclosed, re-produced, or in any other way transferred or communicated to any other party without the express written consent of an authorized representative of Cole Hersee Company.

Special Characteristics:
 Critical Characteristic, relating to Safety and/or Regulatory Compliance
 Significant Characteristic relating to Process Control
 Control Dimension relating to Form - Fit - Function as defined by Cole Hersee Company and/or the Customer

Cole Hersee Co.
 20 Old Colony Ave., South Boston, MA, 02127
 Phn: 617-268-2100 Web: www.colehersee.com

Description: **VOLTAGE SENSING RELAY TIMER**

Drawing / Part No.: **48541** **Current Rev.:** **B**

FORM CHT-6 (2/07)

Used On or Ref.: **EX28647**

Scale: 1:1

Drawn By: **CN**

Date Drawn: **09/14/09**

Pg. 2 of 2

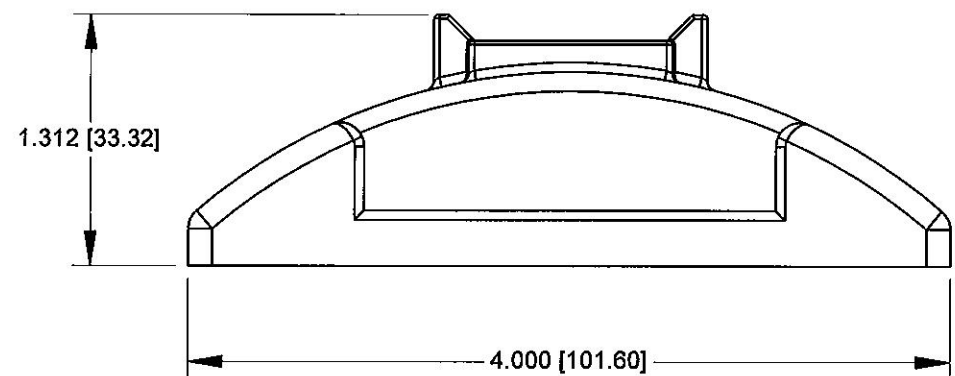
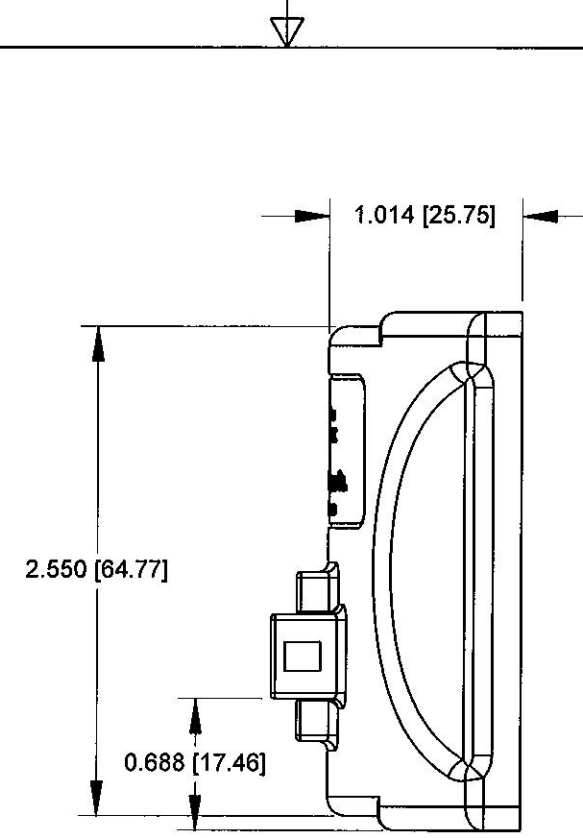
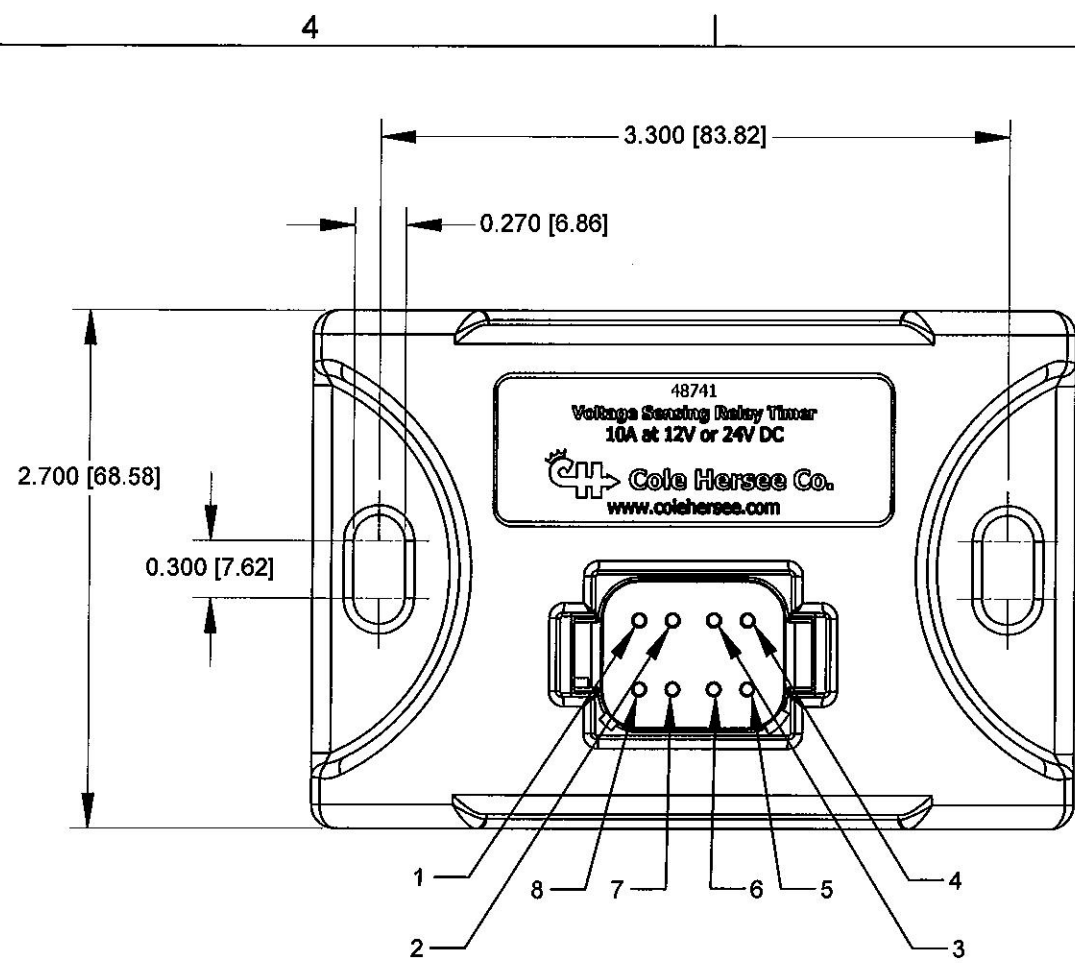
4

3

2

1





NOTES:

- ALL DIMENSIONS ARE REFERENCE ONLY
- SPECIFICATIONS:
 OPERATING VOLTAGE: 9-32VDC
 CURRENT RATING: COIL+ 10A AT 85°C
 STATUS 0.2A AT 85°C
 QUIESCENT CURRENT 2 mA MAX
 OPERATING TEMPERATURE: -40°C TO 85°C
 OVERCURRENT THRESHOLD: 12 - 17A (COIL+ ONLY)
- CONNECTOR PINOUT:
 PIN1: KEYED IGNITION SOURCE
 PIN2: GROUND (BATTERY-)
 PIN3: COIL+/LOAD+
 PIN4: BATTERY+
 PIN5: UNUSED
 PIN6: STATUS
 PIN7: REDUNDANT GROUND (BATTERY-)
 PIN8: REDUNDANT GROUND (BATTERY-)
- MATING CONNECTOR: DEUTSCH P/N DT06-08S
- MATING PINS: DEUTSCH P/N 0462-201-16141
- UNUSED PINS SHOULD BE SEALED WITH BLANKING PIN- DEUTSCH P/N: 114017
- ONLY ONE GROUND (BATTERY -) CONNECTION IS REQUIRED FOR PROPER OPERATION. ALL OTHER GROUNDS ARE REDUNDANT
- SEALED TO IP67 (PROVIDED BLANKING PINS USED)

48741-01	15	12.1	24.2	60	12805
48741	15	12.1	24.2	60	NONE
PART NUMBER	Key Off Timer (minutes)	12V System Disconnect Threshold	24V System Disconnect Threshold	Disconnect Alarm Period (seconds)	KIT

Revision Control Record				Rev.	Description of Change	ECN No.	Date	Tolerances Unless otherwise specifically noted, the following are default tolerances: 2-places +/- 0.02" 3-places +/- 0.005" Angular +/- 1°			PROPRIETARY INFORMATION This Engineering Drawing, and the information contained herein, is proprietary to Cole Hersee Company and may not be disclosed, re-produced, or in any other way transferred or communicated to any other party without the express written consent of an authorized representative of Cole Hersee Company.			Special Characteristics: CC Critical Characteristic, relating to Safety and/or Regulatory Compliance X Significant Characteristic relating to Process Control KC Control Dimension relating to Form - Fit - Function as defined by Cole Hersee Company and/or the Customer			Cole Hersee Co. 20 Old Colony Ave., South Boston, MA, 02127 Phn: 617-268-2100 Web: www.colehersee.com		
Rev.	Description of Change	ECN No.	Date					Metric: Shown in [] refers to equivalent English Dim Tol "REF." or an Asterisk (*) = Non-Toleranced Reference Dimension, shown for clarification purposes only. NOTE: All tolerances are Non-Cumulative.			FORM CHT-6 (2/07) Used On or Ref.: 48541; EX28808			Scale: 1:1	Drawn BY: DPS	Date Drawn: 11/2/10	Pg. 1 of 1	Description: VOLTAGE SENSING RELAY TIMER	
A	RELEASED DRAWING	10366	11/3/10															Drawing / Part No.: 48741	
																		Current Rev. A	