

# D-SUB АКСЕССУАРЫ И ТЕХНИЧЕСКИЕ ДАННЫЕ.

## HS Series - D-Sub Hoods

### metal hood

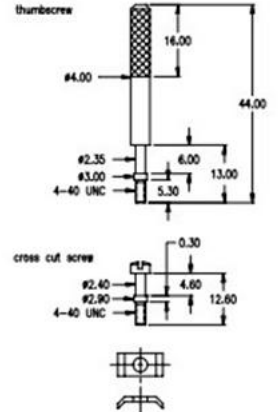
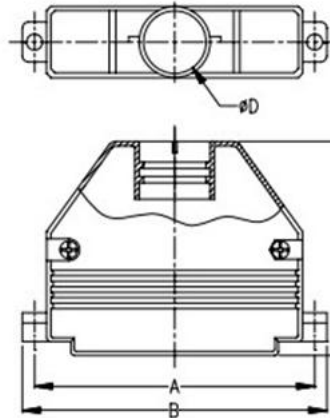
materials *RoHS compliant*

hood: zinc alloy Nickel plated

screw: steel

Please ask for detail drawing each type.

Dimension				D-Sub contacts
A	B	C	D	
24.99	31.00	47.00	7.00	<b>009 / 015</b> (HD)
33.32	40.00	48.20	10.00	<b>015 / 026</b> (HD)
47.04	53.30	48.70	14.00	<b>025 / 044</b> (HD)
63.50	69.00	48.60	14.00	<b>037 / 062</b> (HD)
61.11	67.00	48.30	14.00	<b>050 / 078</b> (HD)



### Ordering Code

**HSM - xxx - S xxx - xx Z**

Size Code	screw type	cable exit
<b>009</b> = 9-pole Std. / 15-pole HD <b>015</b> = 15-pole Std. / 26-pole HD <b>025</b> = 25-pole Std. / 44-pole HD <b>037</b> = 37-pole Std. / 62-pole HD <b>050</b> = 50-pole Std. / 78-pole HD	<b>101</b> = <b>cross cut screw</b> not available for 90° cable exit <b>102</b> = <b>thumbscrew</b>  others on request	<b>00</b> = <b>straight</b> <b>90</b> = <b>90°</b> with Rubber grommet: <b>0R</b> = <b>straight</b> <b>9R</b> = <b>90°</b> 90° cable exit only for size code 009/H15 015/H26 025/H44

### plastic hood

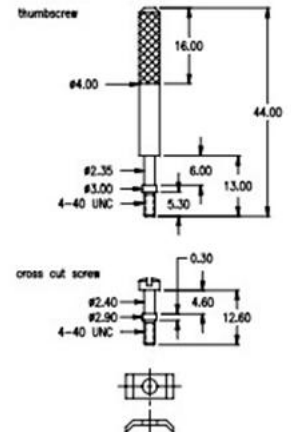
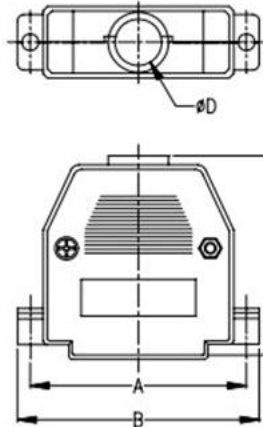
materials *RoHS compliant*

hood: PBT UL 94-V0

screw: steel

Please ask for detail drawing each type.

Dimension				D-Sub contacts
A	B	C	D	
24.99	30.80	40.50	7.00	<b>009 / 015</b> (HD)
33.32	39.70	38.80	9.70	<b>015 / 026</b> (HD)
47.04	55.00	44.50	14.00	<b>025 / 044</b> (HD)
63.50	69.00	52.50	14.00	<b>037 / 062</b> (HD)
61.11	67.00	48.30	14.00	<b>050 / 078</b> (HD)



### Ordering Code

**HS X - xxx - S xxx - xx Z**

colour / type	Size Code	screw type	cable exit
<b>B</b> = <b>black</b> <b>G</b> = <b>grey</b> <b>C</b> = <b>chromated</b>  others on request	<b>009</b> = 9-pole Std. / 15-pole HD <b>015</b> = 15-pole Std. / 26-pole HD <b>025</b> = 25-pole Std. / 44-pole HD <b>037</b> = 37-pole Std. / 62-pole HD <b>050</b> = 50-pole Std. / 78-pole HD	<b>101</b> = <b>cross cut screw</b> not available for 45° cable exit <b>102</b> = <b>thumbscrew</b>  others on request	<b>00</b> = <b>straight</b> <b>45</b> = <b>45°</b>

## Technical Data    D-Sub Connectors

### mechanical data

Mating force per contact	≤ 3,4 N
Unmating force per contact	≥ 0,2 N
Temperature range	-55° C to +105° C
Processing temperature wave solder (solder bath)	+250°C +0/-5°C for 10sec.
Processing temperature SMT and "pin in paste"	+250°C +0/-5°C for 10sec.
Moisture absorption from air 50% rh	0,10%
IDC Connector types accept AWG 26 or AWG 28 standard wire	

### materials and plating (RoHS compliant)

Insulator for wave solder technology, standard black - PC 99 colourful insulator	thermoplastic glassfilled UL 94V-0 Yellowish brown - Pantone # 131C 15-pos. female Burgundy - Pantone # 235C 25-pos. female Teal - Pantone # 322C 9-pos. male Blue - Pantone # 661C HD 15-pos. female
Insulator for SMT and "Pin-In-Paste"	Nylon UL 94V-0
Shell	Steel, Ni plated
Bracket	Brass, tin plated
Male contact - plating	Copper Alloy (Standard; others on request) -95 = solder side Sn; contact side Au over Ni -55 = solder and contact side Au over Ni
Female contact - plating	Copper Alloy (Standard; others on request) -95 = solder side Sn; contact side Au over Ni -55 = solder and contact side Au over Ni -NN = Ni
D-Sub Accessories (page 70) plating	

### electrical data

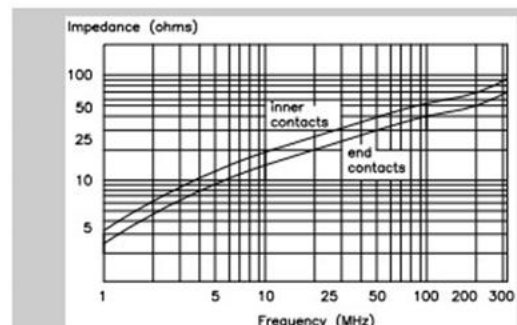
max. Current rating	5 A/25°C    3 A/70°C    (High Density types 3A / IDC types 1A)
Operating voltage	250 V
Test voltage between contacts	1000 V / 50/60 Hz / 1 Minute
Test voltage between shell and contacts	1000 V / 50/60 Hz / 1 Minute
Resistance between mated contacts	< 30 m Ω
Insulation resistance	≥ 1000 MΩ at 500V DC
Dielectric strength	1000 V AC min. for 1 Minute
Volume resistivity	10 <sup>16</sup> Ω cm (ASTM-D 257)

### available performance classes

E-tec D-Sub connectors comply with Performance Class 3 (min. 50 contact cycles).  
Please contact E-tec first for availability of Performance Class 2 (min. 200 contact cycles) and 1 (min. 500 contact cycles)

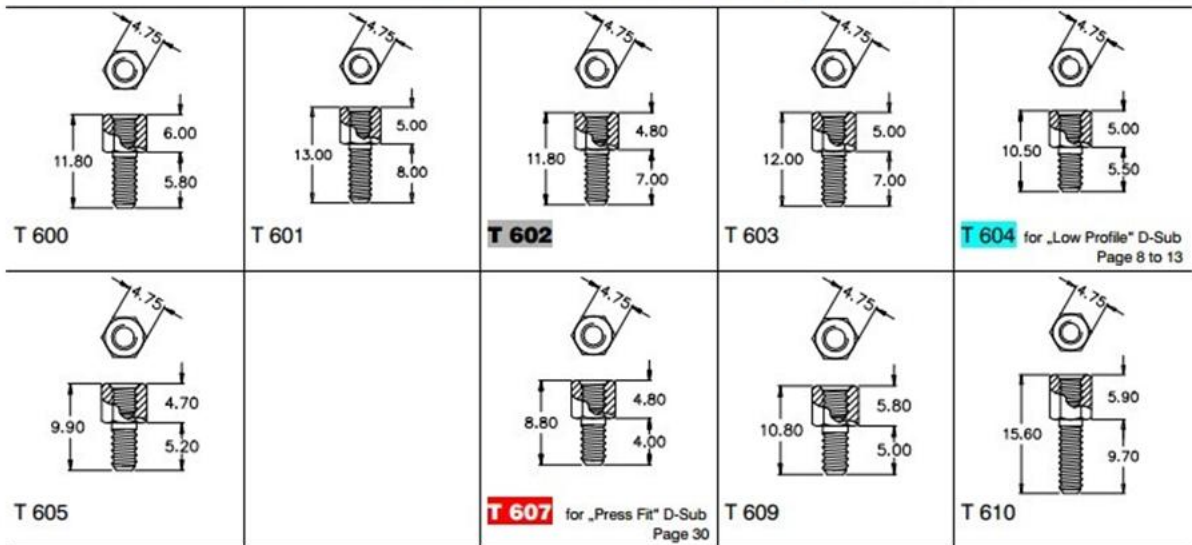
### D-Sub with Filter ( ferrite )

Frequency range	10 - 300 MHz
Impedance	5 MHz - 15 Ω 25 MHz - 30 Ω 100 MHz - 50 Ω 300 MHz - 75 Ω



## D-Sub Accessories

### Jack Screws & Slide locking



#### Ordering Code

**JSR - xxx - X xxx - NN**

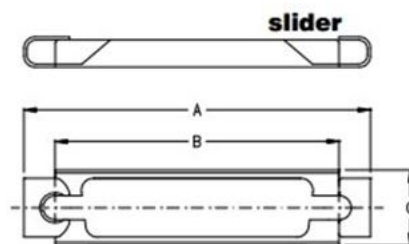
thread combination		thread combi-code
inside	outside	
M 2,6	4-40 UNC	<b>244</b>
2-56 UNC	2-56 UNC	<b>256</b>
M 3	M 3	<b>300</b>
M 3	M 2,6	<b>326</b>
M 3	4-40 UNC	<b>344</b>
4-40 UNC	4-40 UNC	<b>440</b>
4-40 UNC	M 3	<b>443</b>

size type	
<b>T 600</b>	
<b>T 601</b>	
<b>T 602</b>	standard type
<b>T 603</b>	
<b>T 604</b>	for „Low Profile“ D-Sub; Page 8 to 13
<b>T 605</b>	
<b>T 607</b>	for „press fit“ D-Sub; Page 30
<b>T 609</b>	
<b>T 610</b>	

*If you order D-Sub connector assembled with Jack screw, T602 type always will be delivered.*

*Jack Screws with other dimension, also round head, are available on request.*

#### Slide locking accessories



A set of slider consists of:

- 1 frame
- 2 screws 4-40 UNC
- 2 washers
- 2 nuts 4-40 UNC

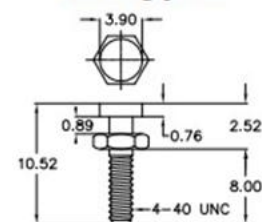
#### Ordering Code

**SLO - xxx - T 106 - NN**

No. of contacts

**009 - 015 - 025** other sizes on request

#### locking post



#### Ordering Code

**JLP - 440 - T 106 - NN**

*If you want to have assembled to the D-Sub connector direct, please ask the nearest E-tec office or Distributor*

**Jack Screws and Slide locking accessories are Nickel plated**