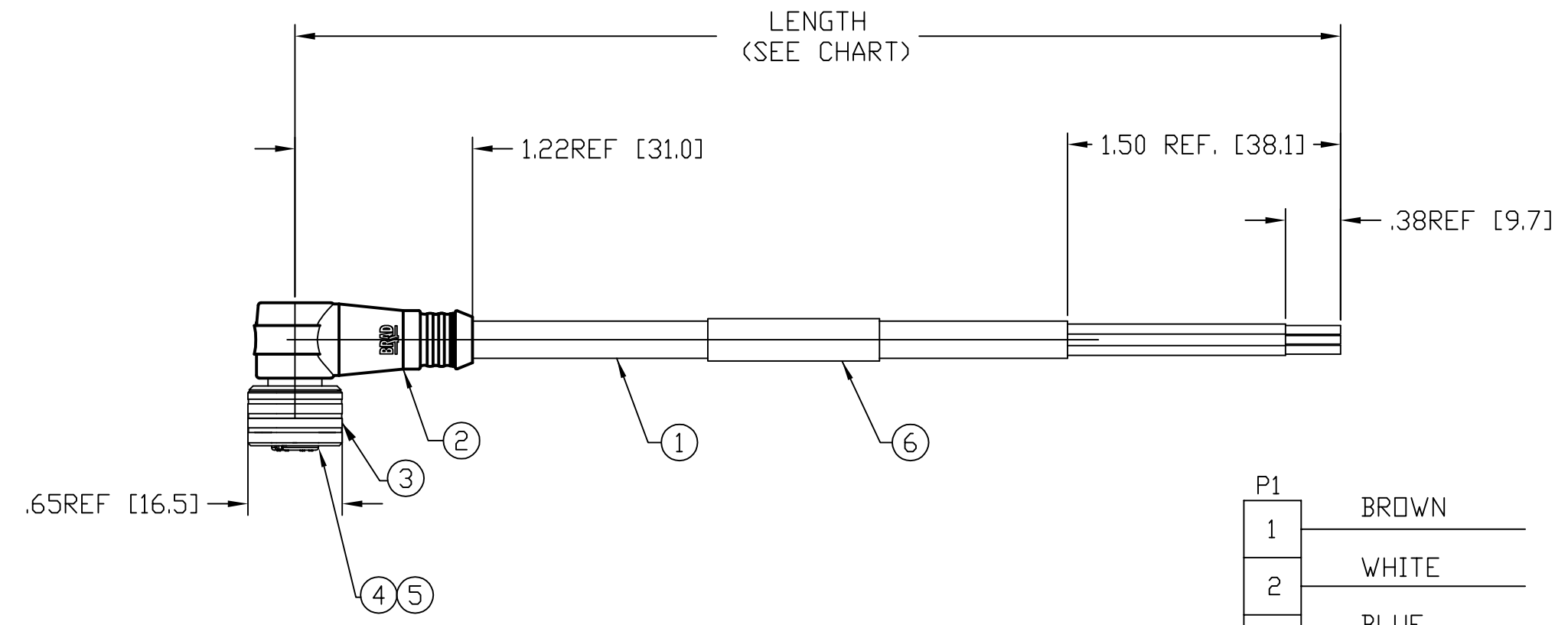
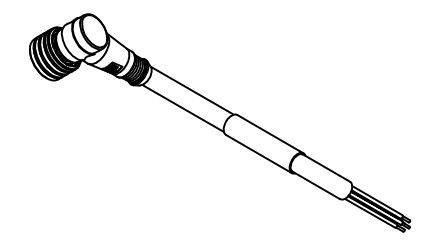
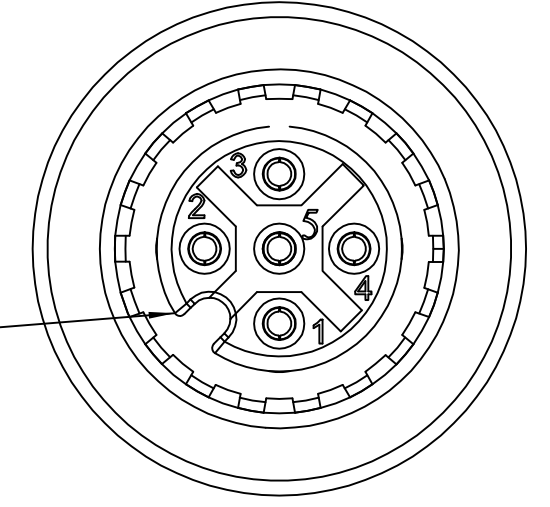


PART NUMBER	ENGINEERING NO.	LENGTH
1200790223	W05001A09M020	6' 6" +3.5" - 0 [ 2M +90MM - 0]
1200790202	W05001A09M040	13' 1" +6" - 0 [ 4M +150MM - 0]
1200790203	W05001A09M050	16' 4" +6" - 0 [ 5M +150MM - 0]
1200790204	W05001A09M060	19' 7" +6" - 0 [ 6M +150MM - 0]
1200790205	W05001A09M100	32' 4" +12 - 0 [ 10M +300MM - 0]



P1	
1	BROWN
2	WHITE
3	BLUE
4	BLACK
5	GRAY



- NOTES:
- 1) MATERIAL: SEE TABLE
  - 2) FINISHES: SEE TABLE
  - 3) WRAP LABEL IS MARKED WITH P/N, DATE CODE, VOLTAGE & AMPERAGE.
  - 4) MATES WITH: MICRO CHANGE, 5 POLE RECEPTACLE
  - 5) ELECTRICAL DATA:  
 INLINE CORDSET  
 FEMALE A-CODING WITH FLYING LEADS  
 22AWG UNSHIELDED  
 POLES: 5  
 MAX. VOLTAGE: 250V  
 MAX. CURRENT 4A  
 CONTACT RESISTANCE: <5M Ohm  
 PROTECTION IP67/68/69K  
 TEMPERATURE RANGE:-25°C TO 90°C
  - 6) PACKAGING:  
 CABLE ASSEMBLIES ARE BAGGED SEPERATELY  
 IN POLY BAGS WITH BAR CODE LABEL ATTACHED  
 TO OUTSIDE OF BAG.
  - 7) ASSEMBLY IS RoHS COMPLIANT.
  - 8) CERTIFICATION  
 cCSAus

ITEM	QTY.	DESCRIPTION	MATERIAL	FINISH
6	1	LABEL	PLASTIC FILM	BLACK/YELLOW
5	5	SOCKET CONTACT	COPPER ALLOY	GOLD PLATED
4	1	INSERT	PUR	BLACK
3	1	COUPLING NUT	BRASS	NICKEL PLATED
2	1	OVERMOLD	PUR	YELLOW
1	1	CABLE, 22AWG-5	PVC JACKET	YELLOW

RELEASE EC NO: WEU2010-0003 DRWN: TWOLDEGE 7/6/09 CH'KD: BWOODMAN APPR: JFMURPHY 2009/07/20	DESCRIPTION REV	<b>QUALITY SYMBOL</b> $\nabla=0$ $\nabla C=0$	<b>GENERAL TOLERANCES (UNLESS SPECIFIED)</b> <table border="1"> <tr> <th></th> <th>mm</th> <th>INCH</th> </tr> <tr> <td>4 PLACES</td> <td>±----</td> <td>±----</td> </tr> <tr> <td>3 PLACES</td> <td>±----</td> <td>±----</td> </tr> <tr> <td>2 PLACES</td> <td>±----</td> <td>±----</td> </tr> <tr> <td>1 PLACE</td> <td>±----</td> <td>±----</td> </tr> </table>		mm	INCH	4 PLACES	±----	±----	3 PLACES	±----	±----	2 PLACES	±----	±----	1 PLACE	±----	±----	<b>DIMENSION STYLE</b> ---- DRAWN BY: TWOLDEGE DATE: 2009/07/06	<b>SCALE</b> ---- <b>DESIGN UNITS</b> INCH	<b>THIRD ANGLE PROJECTION</b>
			mm	INCH																	
		4 PLACES	±----	±----																	
		3 PLACES	±----	±----																	
2 PLACES	±----	±----																			
1 PLACE	±----	±----																			
<b>ANGULAR</b> ±----°	<b>DRAFT WHERE APPLICABLE MUST REMAIN WITHIN DIMENSIONS</b>	CHECKED BY: BWOODMAN DATE: 2009/07/06	<b>TITLE</b> MICRO CHANGE ULTRA LOCK 5-POLE FEMALE 90DEGREE 22/5 AWG PVC	<b>APPROVED BY</b> DATE	<b>MOLEX INCORPORATED</b>	<b>SHEET NO.</b> 1 OF 1															
<b>SIZE</b> C	<b>MATERIAL NO.</b> SEE CHART	<b>DOCUMENT NO.</b> SD-120079-012	THIS DRAWING CONTAINS INFORMATION THAT IS PROPRIETARY TO MOLEX INCORPORATED AND SHOULD NOT BE USED WITHOUT WRITTEN PERMISSION																		

# Mouser Electronics

Authorized Distributor

Click to View Pricing, Inventory, Delivery & Lifecycle Information:

[Molex:](#)

[1200790223](#)