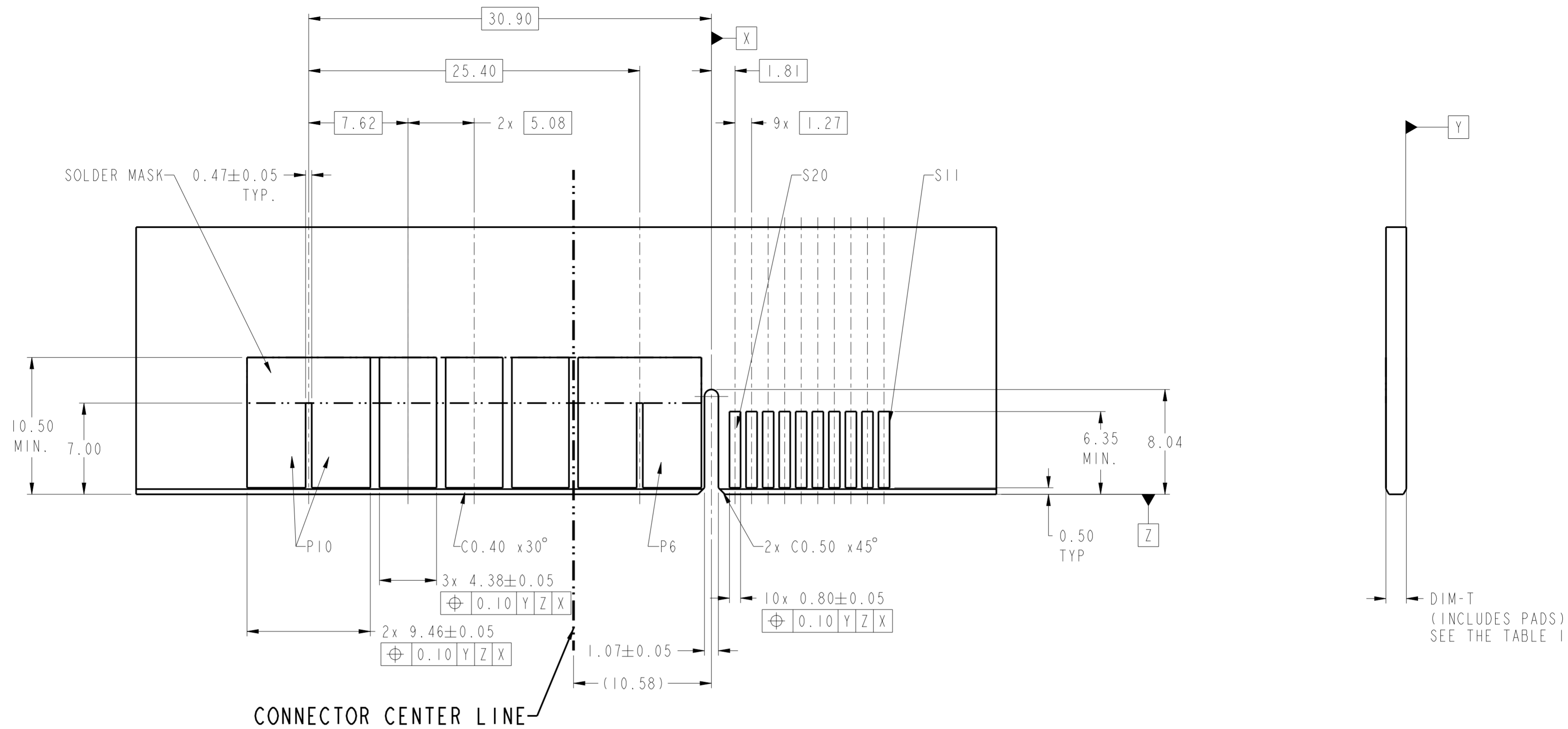


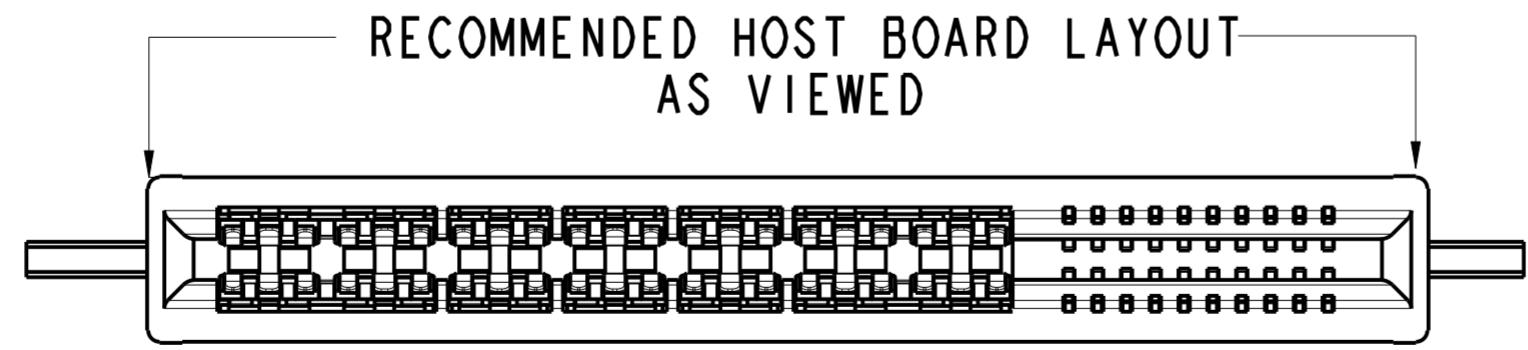
Amphenol
FCi

© 2016 AFci

spec ref	-	dr	Andy Lu	2017-12-12	projection	MM	size	A2	scale	4:1
tolerance std	ISO 406 ISO 1101	eng	Andy Lu	2017-12-12			ecn no	-	rel level	In Work
TOLERANCES UNLESS OTHERWISE SPECIFIED		chr	Fancy Zhang	2017-12-12						
surface	ISO 1302	appr	PM Zheng	2017-12-12	product family		rel level			
	linear	0.X	±0.5	Amphenol FCi	eHPCE STRADDLE MOUNT 2UP6MP2UP+2OS		dwg no 10141585	rev 4	Product - Customer Drw	
		0.XX	±0.25							
		0.XXX	±0.13							
	angular	0°	±2°	cat. no.			sheet 1 of 4			



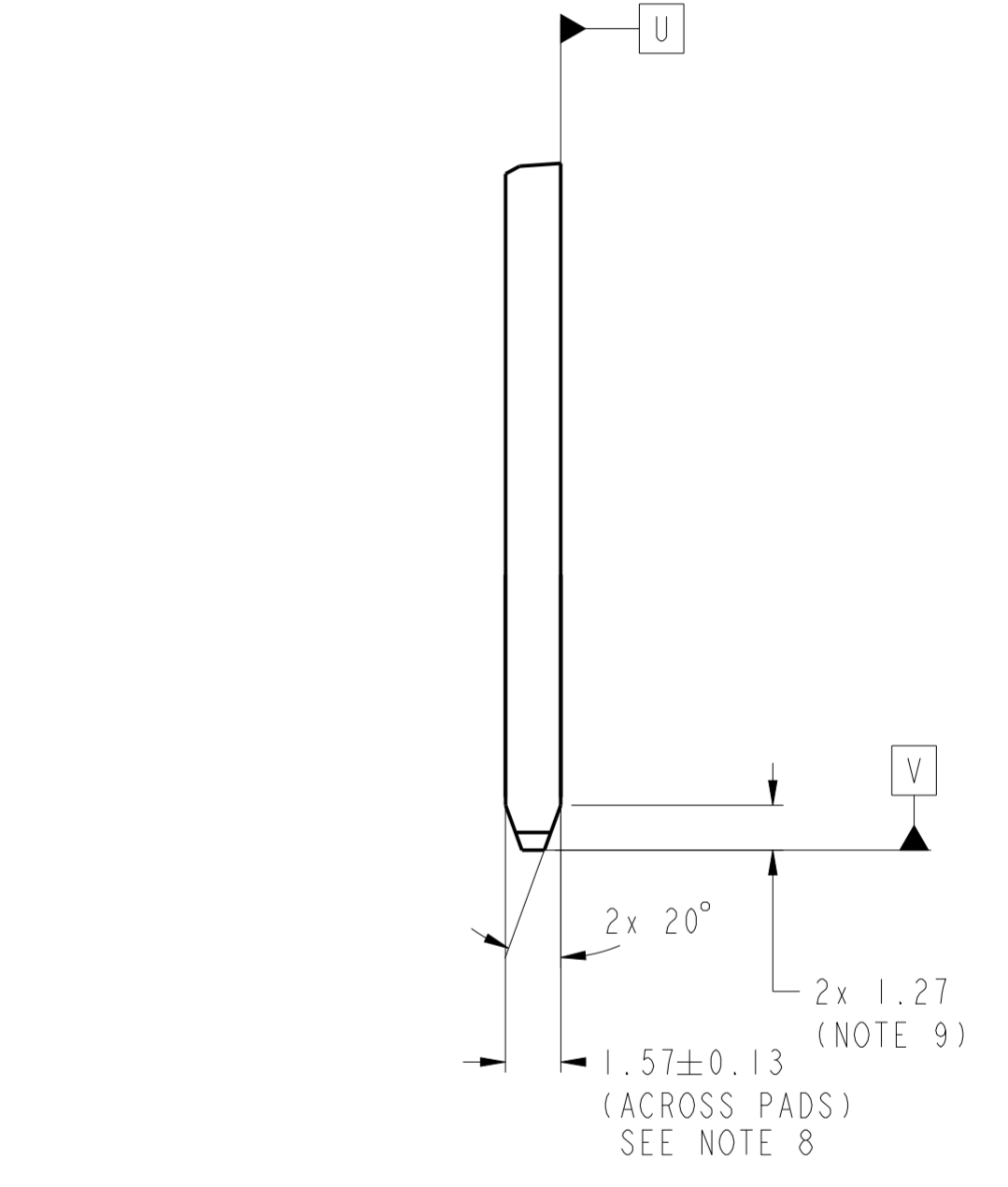
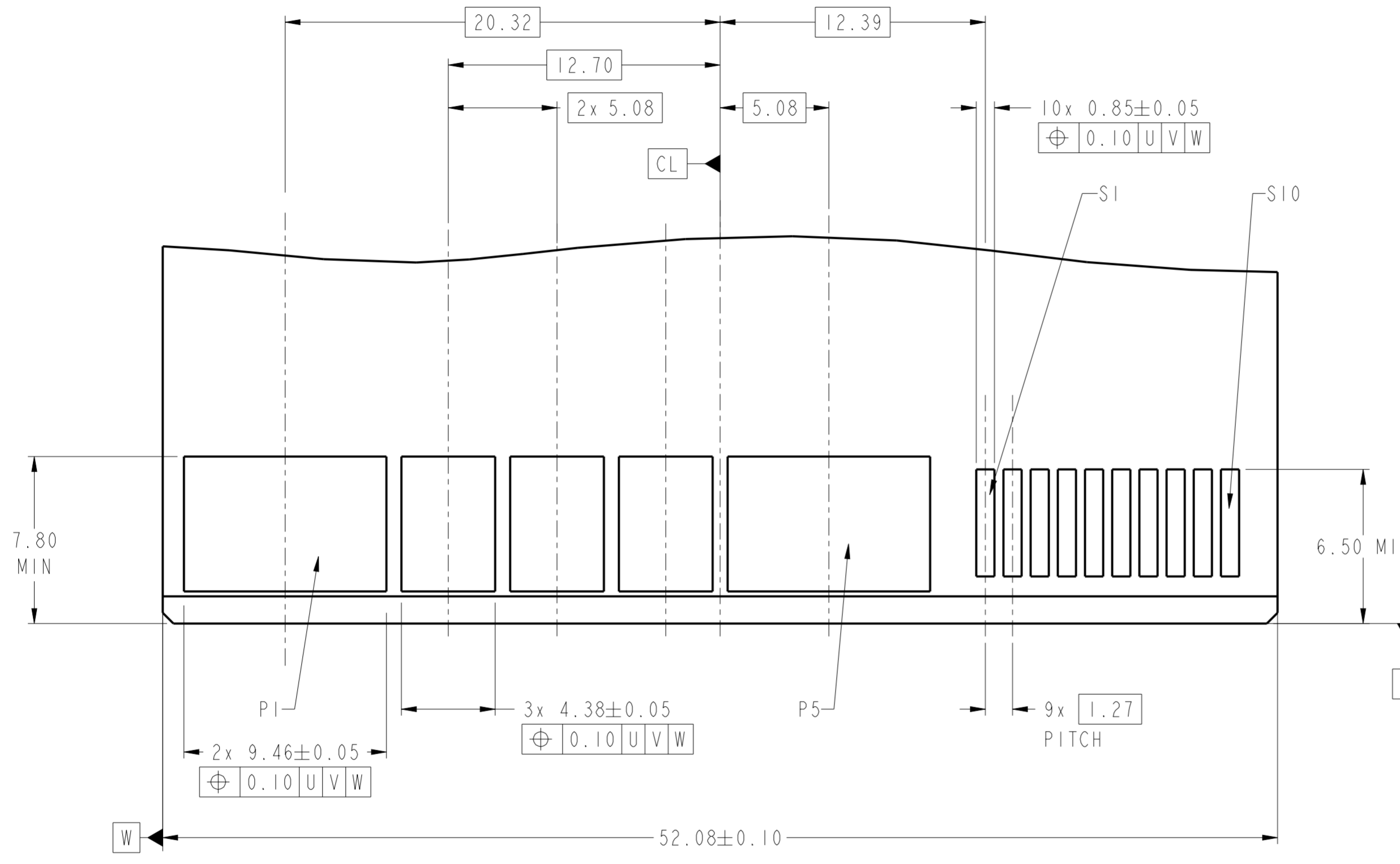
RECOMMENDED HOST BOARD LAYOUT
TOLERANCE ±0.05



spec ref	-	dr	Andy Lu	2017-12-12	projection	MM	size	A2	scale	4:1
tolerance std	ISO 406 ISO 1101	eng	Andy Lu	2017-12-12			ecn no	-	In Work	
TOLERANCES UNLESS OTHERWISE SPECIFIED		chr	Fancy Zhang	2017-12-12			rel level	-		
surface	ISO 1302	appr	PM Zheng	2017-12-12	product family		dwg no	10141585	rev	4
					Amphenol FCI	title	eHPCE STRADDLE MOUNT		Product - Customer Draw	
							2UP6MP2UP+20S		sheet 2 of 4	
						cat. no.				

Amphenol FCI

© 2016 APCI



RECOMMENDED CARD LAYOUT
TOLERANCE ± 0.05

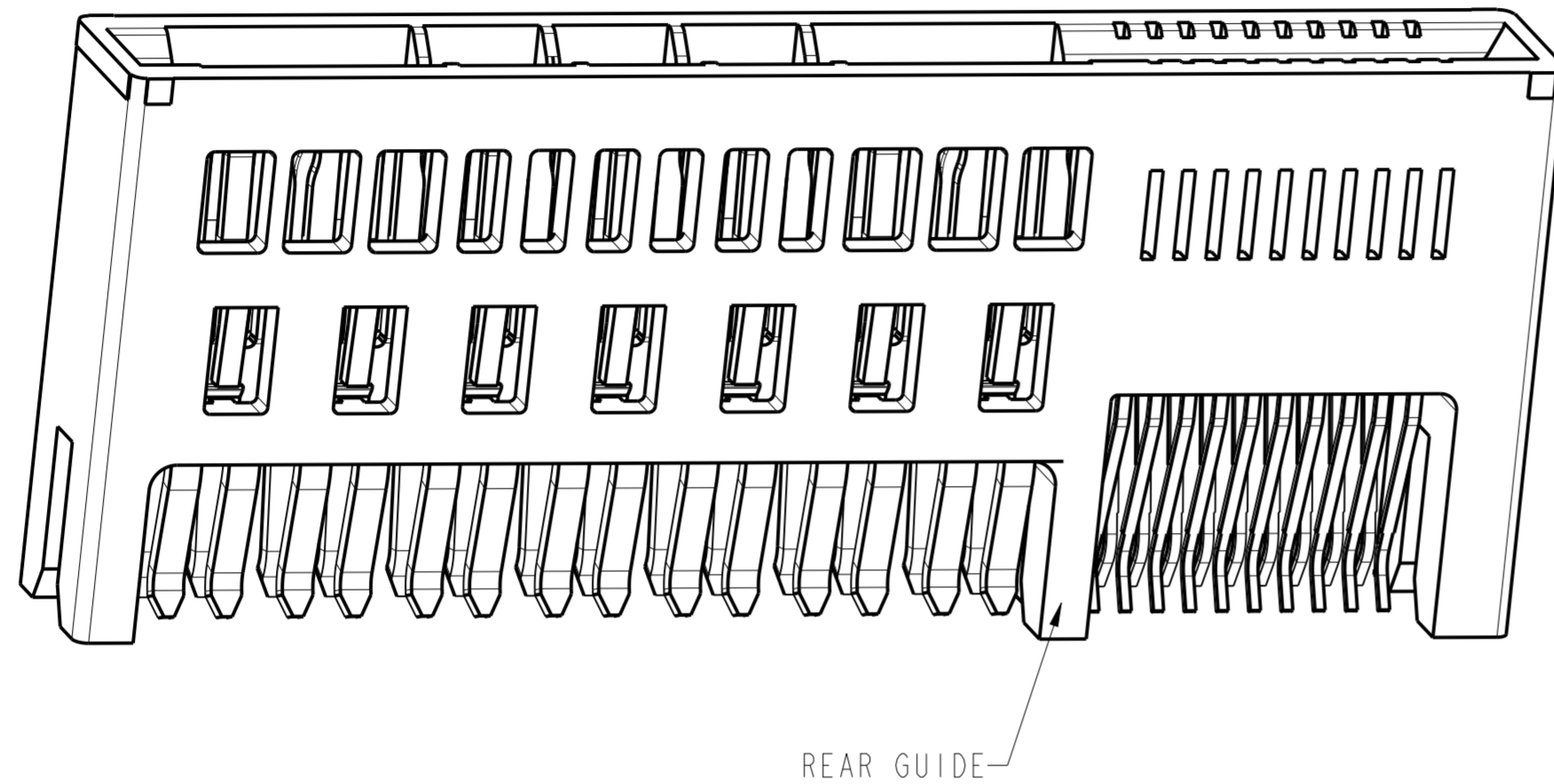
Amphenol
FCi

© 2016 APCI

spec ref	-	dr	Andy Lu	2017-12-12	projection	MM	size	A2	scale	4:1
tolerance std	ISO 406 ISO 1101	eng	Andy Lu	2017-12-12			ecn no	-	rel level	In Work
surface	ISO 1302	chr	Fancy Zhang	2017-12-12						
TOLERANCES UNLESS OTHERWISE SPECIFIED linear: 0.X ± 0.5 , 0.XX ± 0.25 , 0.XXX ± 0.13 angular: 0° $\pm 2^\circ$		appr	PM Zheng	2017-12-12	Amphenol FCI		title: eHPCE STRADDLE MOUNT 2UP6MP2UP+20S		Product - Customer Draw sheet 3 of 4	

TABLE 1

PART NUMBER	REAR GUIDE SYSTEM	MOUNT EARS	POLARIZATION KEY	DIM-A	DIM-T
10141585 - 001LF	YES	NO	NO	1.80	1.57±0.10
10141585 - 002LF	YES	NO	NO	2.20	2.00±0.10



NOTES:

- CONNECTOR MATERIALS:
HOUSING: HIGH TEMPERATURE THERMAL PLASTIC, BLACK, LOW HALOGEN, UL 94V-0,
CONTACTS: HIGH PERFORMANCE COPPER ALLOY.
- CONTACT FINISH REF. SECTION 5.2 IN PRODUCT SPECIFICATION.
- PRODUCT SPECIFICATION: GS-12-1362.
- APPLICATION SPECIFICATION: GS-20-0469.
- PRODUCT MARKING (AFCI - PART NUMBER & DATE CODE) ON HOUSING IN AREA SHOWN.
- PACKAGING MEETS FCI SPECIFICATION GS-14-2532.
- HOUSING COMPONENT WILL WITHSTAND EXPOSURE TO 260°C PEAK TEMPERATURE FOR 10 SECONDS IN A CONVECTION, INFRA-RED, OR VAPOR PHASE REFLOW OVEN.
- PLATING OF PADS SHALL BE 30u" GOLD MINIMUM OVER 50u" NICKEL MINIMUM. SURFACE MUST BE FREE OF MILLED FIBERGLASS AND FOREIGN MATTER
- SURFACE ROUGHNESS OF BEVELED LEAD-IN ON PCB MUST NOT EXCEED 125 MICRO INCHES. SURFACE MUST BE FREE OF MILLED FIBERGLASS AND FOREIGN MATTER.
- THIS PRODUCT MEETS EUROPEAN UNION DIRECTIVES AND OTHER COUNTRY REGULATIONS AS DESCRIBED IN GS-47-0004.

spec ref	-	dr	Andy Lu	2017-12-12	projection	MM	size	A2	scale	4:1
tolerance std	ISO 406 ISO 1101	eng	Andy Lu	2017-12-12			ecn no	-	In Work	
TOLERANCES UNLESS OTHERWISE SPECIFIED		chr	Fancy Zhang	2017-12-12			rel level	-	-	
surface	linear	appr	PM Zheng	2017-12-12	product family	CARD EDGE	rel level	In Work	-	
	angular	Amphenol FCI		title	eHPCE STRADDLE MOUNT		dwg no	10141585	rev	4
ISO 1302	0.X ±0.5 0.XX ±0.25 0.XXX ±0.13 0° ±2°	Amphenol FCI		2UP6MP2UP+20S		cat. no.	Product - Customer Drw		sheet 4 of 4	

Amphenol FCI

© 2016 FCI

Mouser Electronics

Authorized Distributor

Click to View Pricing, Inventory, Delivery & Lifecycle Information:

[FCI / Amphenol:](#)

[10141585-001LF](#) [10141585-002LF](#)