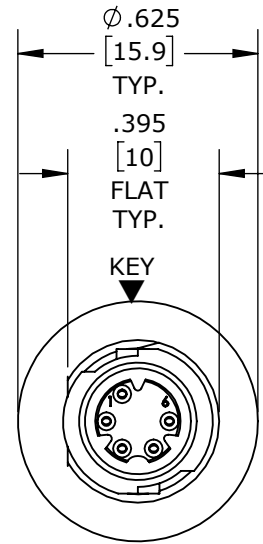


MFG. ENG. APPROVED BY: DATE: QA APPROVED BY: DATE:

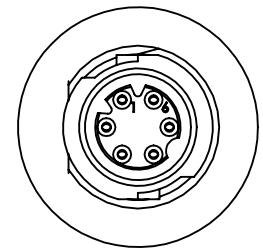
PART NO.	NO. OF PINS
W17980-5SG-P-300	5
W17980-6SG-P-300	6
W17980-7SG-P-300	7

NOTES:

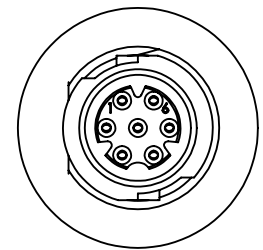
1. ALL PARTS ARE BULK PACKED.
2. REFER TO DRAWING HPMCSTD FOR CONTACT PATTERNS.
3. ALL DIMENSIONS ARE REFERENCE ONLY IN INCHES [mm], WITHIN ±0.015 UNLESS OTHERWISE NOTED.



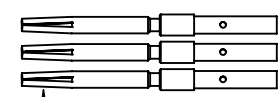
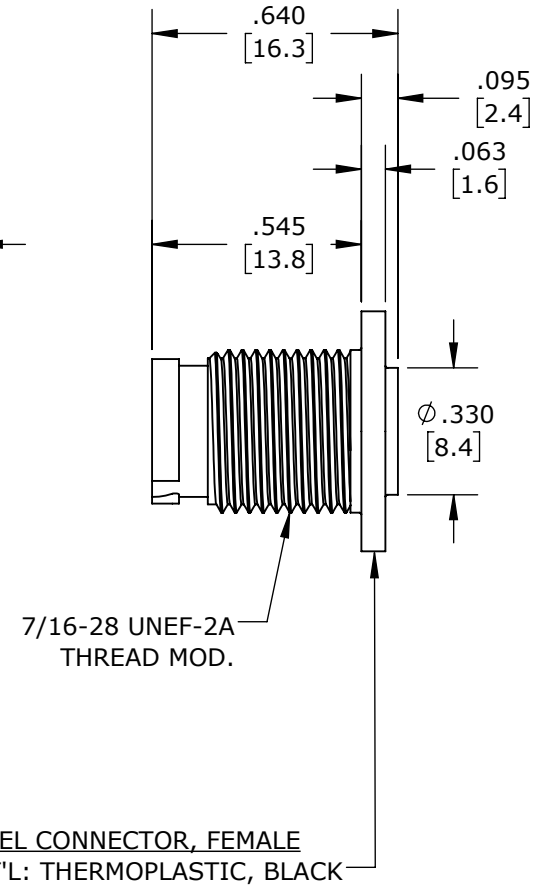
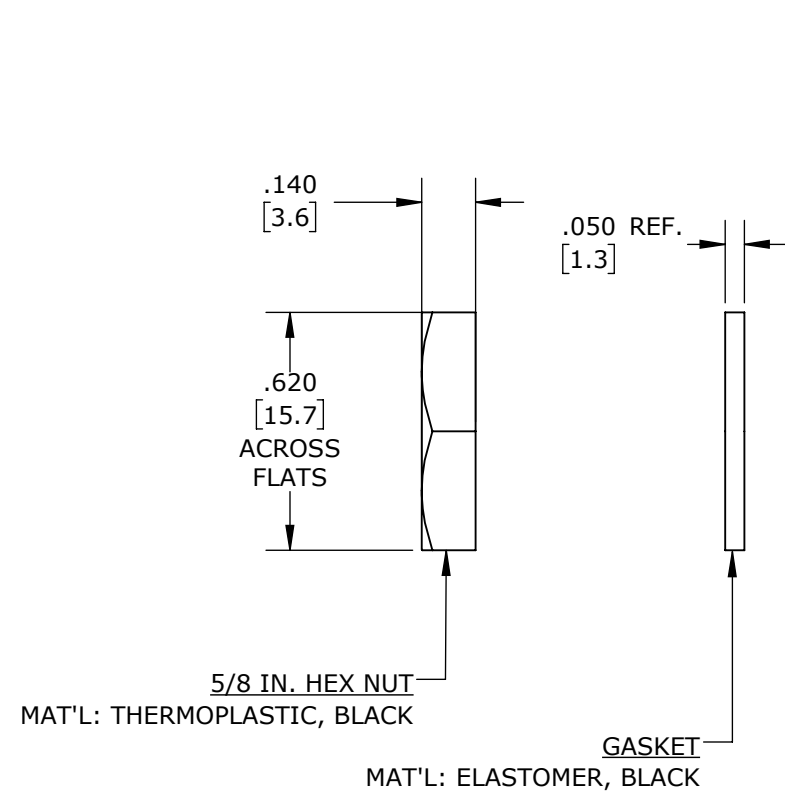
FACE VIEW
W17980-5SG-P-300
5 POSITION
A-KEY



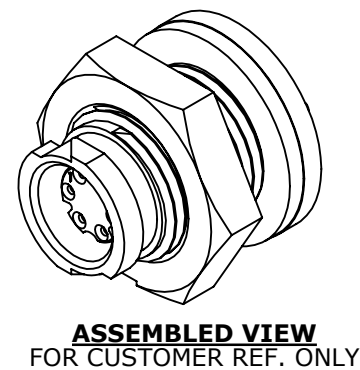
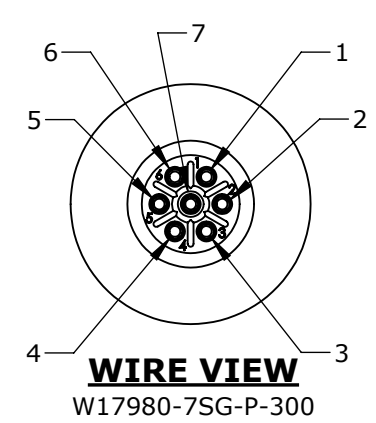
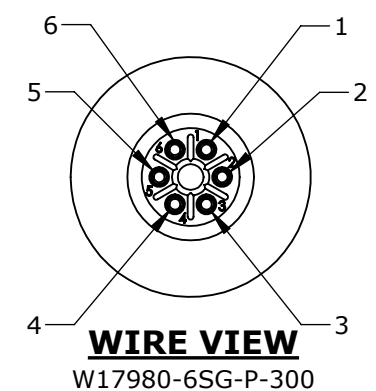
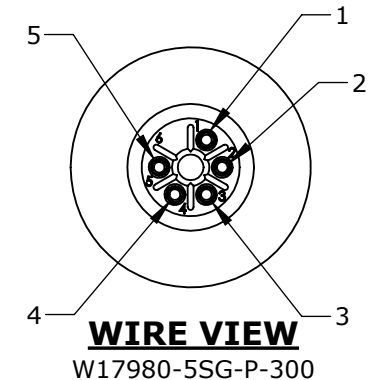
FACE VIEW
W17980-6SG-P-300
6 POSITION
B-KEY



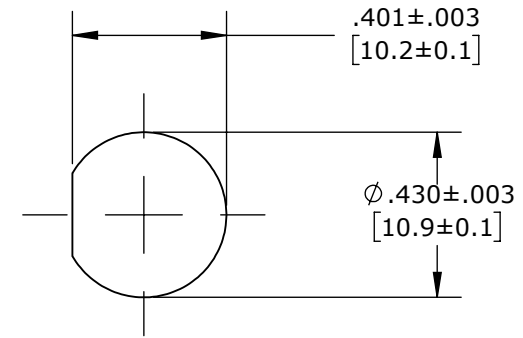
FACE VIEW
W17980-6SG-P-300
7 POSITION
A-KEY



(5-7) #26 SOCKET CONTACTS
WITH CRIMP TAIL
MAT'L: GOLD PLATED, COPPER ALLOY



ASSEMBLED VIEW
FOR CUSTOMER REF. ONLY



RECOMMENDED PANEL CUTOUT

CUSTOMER APPROVAL

THIS DOCUMENT CONTAINS CONFIDENTIAL INFORMATION PROPRIETARY TO CONXALL CORPORATION. ANY REPRODUCTION, DISCLOSURE, OR USE OF THIS DOCUMENT /INFORMATION IS EXPRESSLY PROHIBITED UNLESS AUTHORIZED IN WRITING BY CONXALL CORPORATION.

APPROVED BY: _____
DATE: _____

RoHS COMPLIANT

0A	JGK	8/13/19	DRAWING CREATED FOR PDR #18004.	
REV.	INIT.	DATE	DESCRIPTION	
			ORIG. DRAWN BY: JGK	DATE: 8/13/19
ALL INFORMATION ILLUSTRATED IS THE PROPERTY OF CONXALL CORPORATION. UNAUTHORIZED DUPLICATION OR DISTRIBUTION OF THIS DOCUMENT IS PROHIBITED.			<p>601 E. WILDWOOD VILLA PARK, IL 60181</p>	
ALL UNITS ARE IN FEET, INCHES, FRACTION OF INCHES AND DECIMALS. UNLESS OTHERWISE SPECIFIED TOLERANCES: 3 PLACE DECIMALS ±.005 ANGLES ±1° FRACTIONS ±1/16				
APPROVED BY: _____			TITLE: PANEL MOUNT ASSEMBLY (5-7) #26 SOCKET CONTACTS, CRIMP TAIL INSTA-CLICK, MICRO-CON-X STANDARD PRODUCT	
SCALE: NTS	SIZE: B	SHEET: 1 OF 1	CUSTOMER: _____	
FILE: W17980-XSG-P-300	DIRECTORY: SLW	PART NUMBER: W17980-XSG-P-300	REV: 0A	

CUSTOMER PRINT

PART NUMBER: W17980-XSG-P-300

PRELIMINARY

DIMENSIONS IN BRACKETS [] ARE METRIC

Mouser Electronics

Authorized Distributor

Click to View Pricing, Inventory, Delivery & Lifecycle Information:

[Switchcraft:](#)

[W17980-6SG-P-300](#) [W17980-5SG-P-300](#) [W17980-7SG-P-300](#)