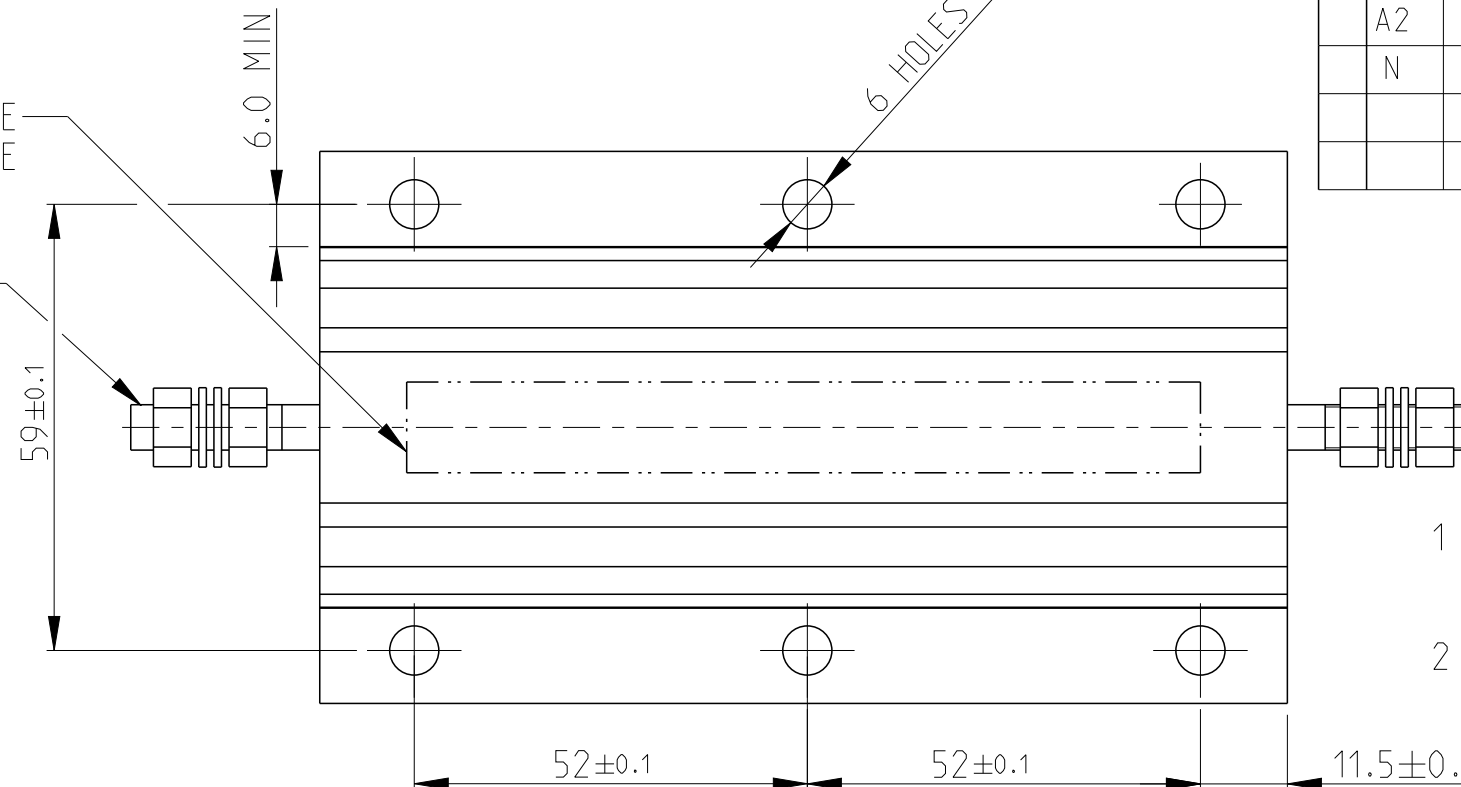


REVISIONS

P	LTR	DESCRIPTION	DATE	DWN	APVD
A2		ECR-11-020603	07AUG2012	KR	OP
N		ECR-16-003733	14MAR2016	KR	TN

LASER MARKING: TE LOGO PN VALUE TOLERANCE & DATE CODE

M6 ST/STEEL TERMINAL STUDS. EACH SUPPLIED WITH : 2 OFF M6 ST/STEEL FULL NUTS 2 OFF M6/STEEL PLAN WASHERS

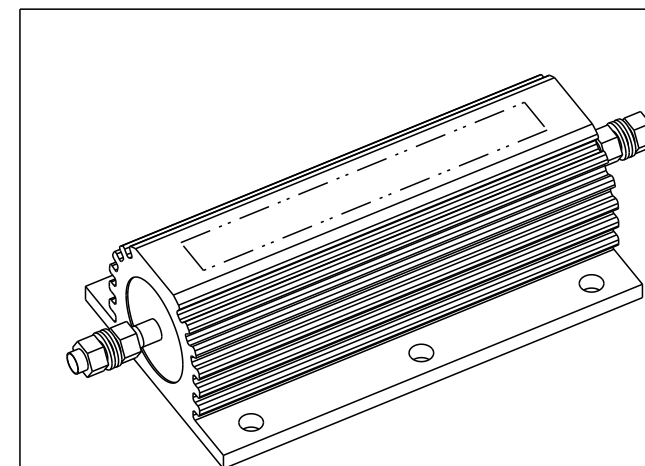
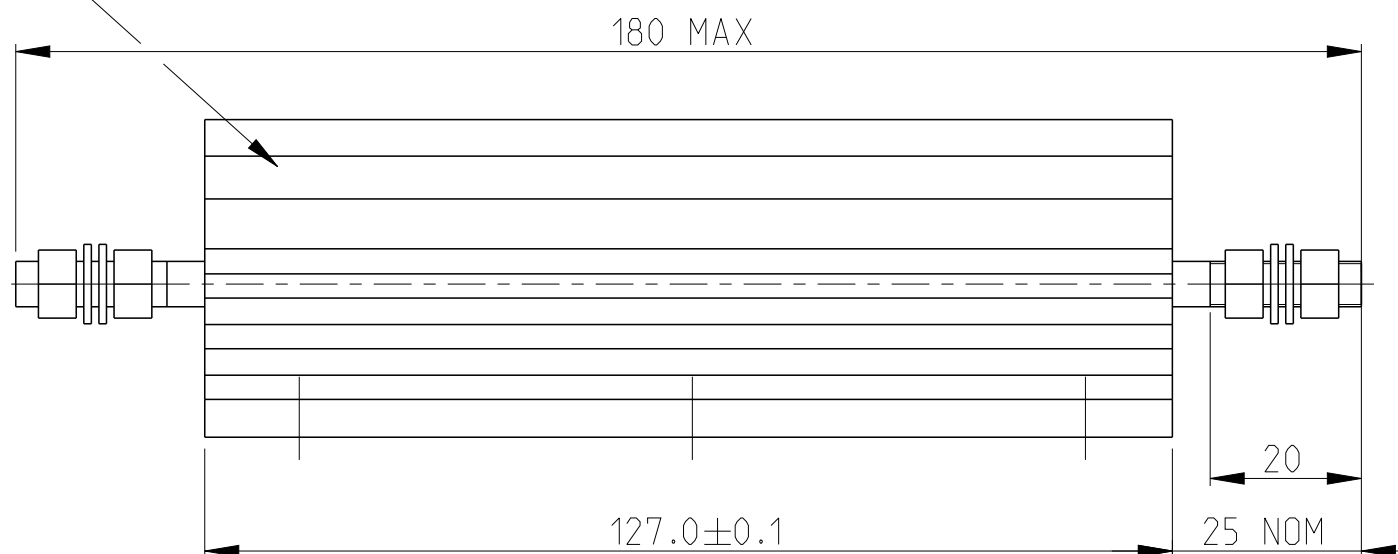
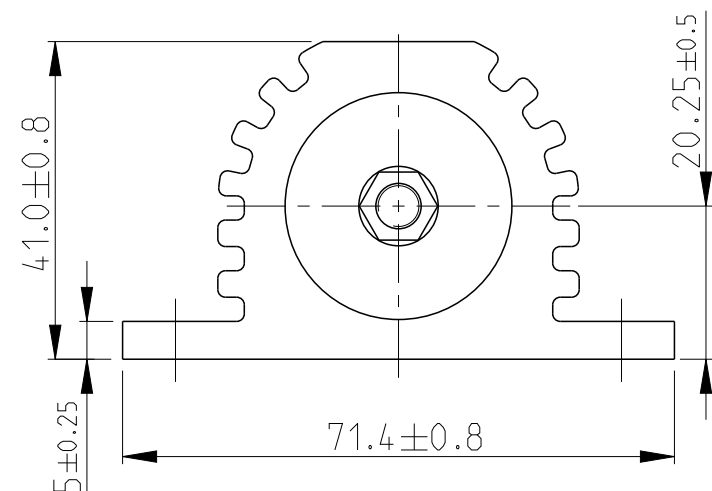


1 FOR FURTHER INFORMATION SEE DATA SHEET FOR HS SERIES-ALUMINIUM HOUSED RESISTORS

2 FOR A SPECIFIC PN FOR A RESISTANCE VALUE AND TOLERANCE, PLEASE REFER TO DMF

GOLD ANODISED ALUMINIUM HOUSINGS

RoHS Compliant



THIS DRAWING IS A CONTROLLED DOCUMENT.

DWN 28.SEP.05
 DAVE KENNEDY
 CHK 29.SEP.05
 J CATCHPOLE
 APVD 29.SEP.05
 J CATCHPOLE
 PRODUCT SPEC

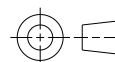
NAME HSC300



TE Connectivity

DIMENSIONS: mm

TOLERANCES UNLESS OTHERWISE SPECIFIED:



0 PLC ±0.5
 1 PLC ±0.2
 2 PLC ±0.1
 3 PLC ±
 4 PLC ±
 ANGLES ±5°

MATERIAL

FINISH

material_2

finish_spec_2

WEIGHT

-

CUSTOMER DRAWING

SIZE

A3

CAGE CODE

00779

DRAWING NO

C=1630027

RESTRICTED TO

-

SCALE 1:1

SHEET 1 OF 1

REV N

Mouser Electronics

Authorized Distributor

Click to View Pricing, Inventory, Delivery & Lifecycle Information:

[TE Connectivity:](#)

[HSC300100RJ](#)