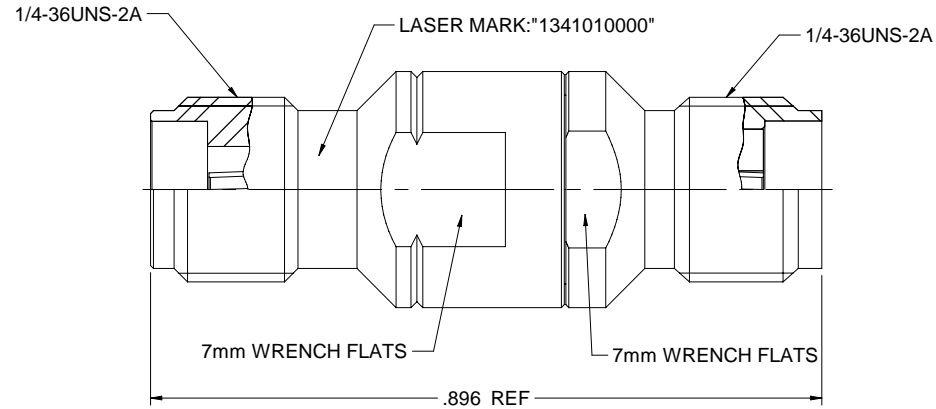


MODEL NO.	PACKAGING
134-1010-000	ONE PCS PER BAG

REV	ECO	DATE
001	ECO-17-0032	11/28/2017
002	ECO-18-0020	08/21/2018



NOTES: UNLESS OTHERWISE SPECIFIED

1. MATERIAL & FINISH:

- 1.1 BODY: PASSIVATED STAINLESS STEEL
- 1.2 CONTACT PIN: GOLD PLATED BERYLLIUM COPPER
- 1.3 INSULATOR: PTFE WHITE

2. ELECTRICAL:

- 2.1 IMPEDANCE: 50 OHMS
- 2.2 FREQUENCY RANGE: DC-26.5 GHz
- 2.3 VOLTAGE STANDING WAVE RATIO: 1.3 MAX
- 2.4 DIELECTRIC WITHSTANDING VOLTAGE: 750 VRMS MIN
- 2.5 CONTACT RESISTANCE:
 - 2.5.1 CENTER CONTACT: 3 MILLIOHM MAX
 - 2.5.2 OUTER CONTACT: 2 MILLIOHM MAX
- 2.6 INSULATOR RESISTANCE: 5000 MEGOHM MIN

3. MECHANICAL:

- 3.1 ENGAGEMENT/DISENGAGEMENT FORCE: 2 IN-LBS. MAX
- 3.2 CONTACT RETENTION: 6 LBS MIN
- 3.3 DURABILITY: 500 CYCLES MIN

4. ENVIRONMENT:

- 4.1 THERMAL SHOCK: MIL-STD-202, METHOD 107, CONDITION B.
- 4.2 OPERATING TEMPERATURE: -65 TO 165°C
- 4.3 SHOCK: MIL-STD-202, METHOD 213, CONDITION I
- 4.4 VIBRATION: MIL-STD-202, METHOD 204, CONDITION D
- 4.5 MOISTURE RESISTANCE: MIL-STD-202, METHOD 106

	Model No. 134-1010-000	Johnson	
	RoHS2 2011/65/EU	Title: ADAPTER ASSEMBLY, 2.92mm(SMK) JACK TO SMA JACK	Rev: 002
Drawn by: Betty.Yu	Date: 08/21/2018	Drawing No. 134-1010-000	Scale: C
XXXX - 02 XXXX - 01 ANGLES - 45°	Size: C	DO NOT SCALE DRAWING	NONE

Mouser Electronics

Authorized Distributor

Click to View Pricing, Inventory, Delivery & Lifecycle Information:

[Cinch Connectivity Solutions:](#)

[134-1010-000](#)