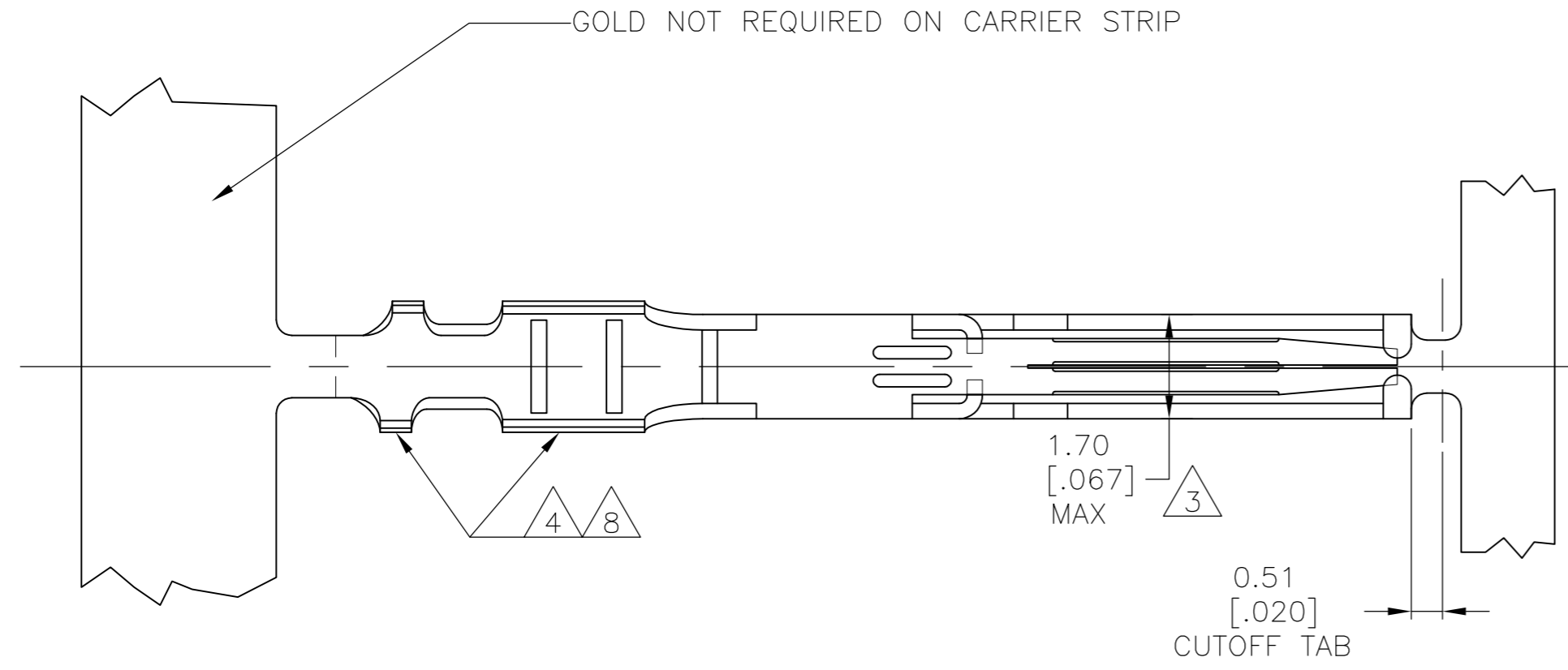
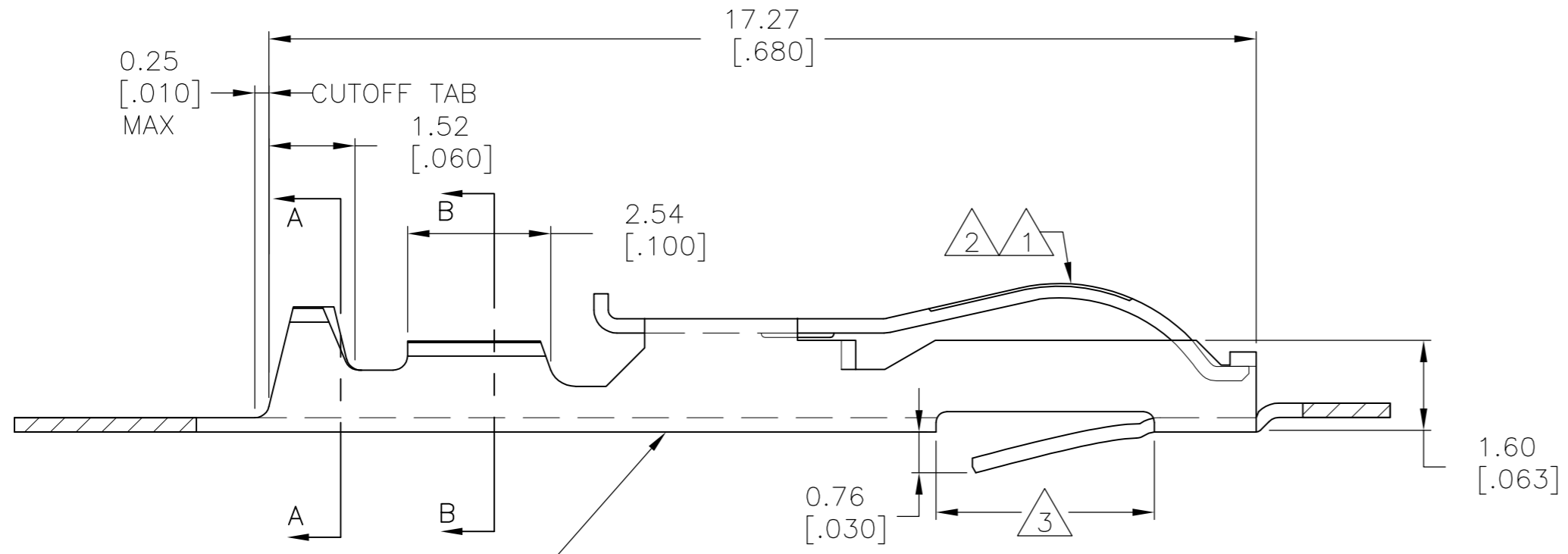


THIS DRAWING IS UNPUBLISHED. RELEASED FOR PUBLICATION
 © COPYRIGHT - By - ALL RIGHTS RESERVED.

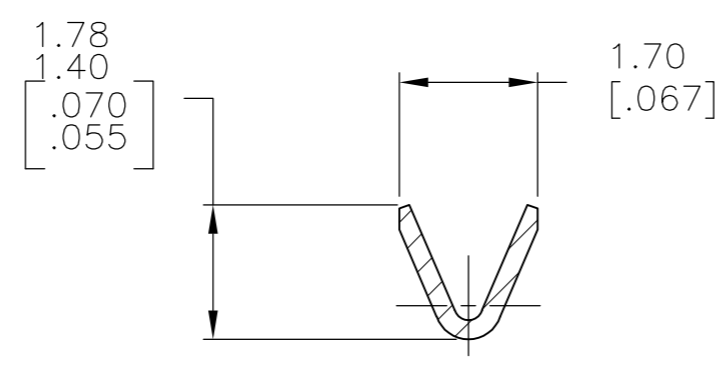
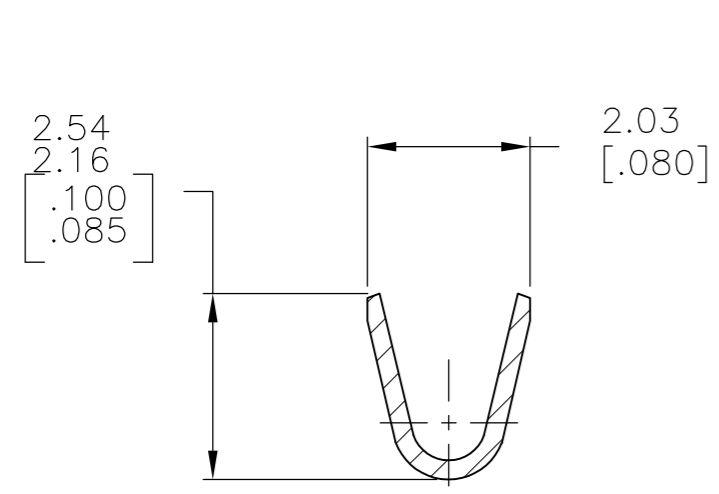
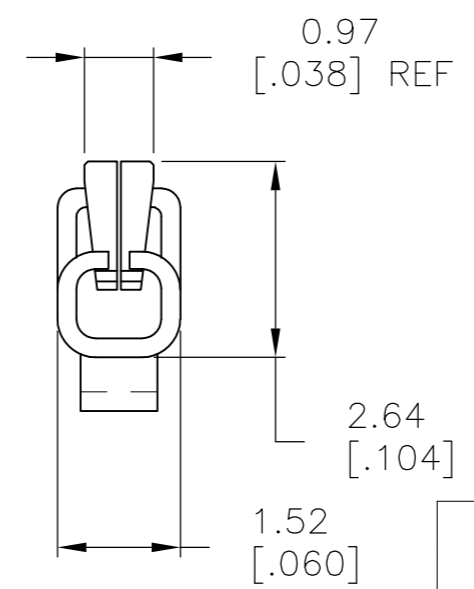
LOC		DIST		REVISIONS			
P	LTR	DESCRIPTION		DATE	DWN	APVD	
AD	00	Z3		REVISED PER ECO-13-005696	31JUL13	KH	MM



- 1 .000030 GOLD OVER .000030 NICKEL IN CONTACT AREA.
- 2 .000015 GOLD OVER .000030 NICKEL IN CONTACT AREA.
- 3 .067 MAX ALLOWED IN LOCKING POSITION AREA FOR .140 REF LENGTH.
- 4 TIN-LEAD IN CRIMP AREA.
- 5 OBSOLETE
- 6 .000050 GOLD OVER .000050 NICKEL IN CONTACT AREA. REMAINDER OF CONTACT GOLD FLASH OVER NICKEL.
- 7 .000015 GOLD OVER .000030 NICKEL IN CONTACT AREA. REMAINDER OF CONTACT GOLD FLASH OVER NICKEL.
- 8 MATTE TIN IN CRIMP AREA.
- 9 OBSOLETE PARTS: OBSOLETE CIS STREAMLINING PER D.RENAUD/D.SINISI
- 10 OBSOLETE PART



COLOUR CODED ORANGE FOR WIRE RANGE IDENTIFICATION (LOOSE PIECE ONLY)



5-583616-3	9 5-583616-7	2 8	5-583616-5
5-583616-2	9 5-583616-6	1 8	5-583616-4
1-583616-0	5 1-583616-2	7	1-583616-1
583616-8	5 1-583616-3	6	9 583616-9
583616-3	5 583616-7	2 4	583616-5
583616-2	9 583616-6	1 4	10 583616-4
STRIP PART NO REELING LEFT TO RIGHT	STRIP PART NO REELING RIGHT TO LEFT	FINISH	LOOSE PIECE

THIS DRAWING IS A CONTROLLED DOCUMENT.

DWN	A. STAUB BG	02AUG93
CHK	H ROSE	18FEB94
APVD	H ROSE	18FEB94
PRODUCT SPEC		
APPLICATION SPEC		
WEIGHT	-	
CUSTOMER DRAWING		

TE TE Connectivity

NAME: CONTACT-TWIN LEAF (CRIMP-SNAP)

SIZE	A2	CAGE CODE	00779	DRAWING NO	C=583616	RESTRICTED TO	-
SCALE	10:1	SHEET	1 OF 1	REV	Z3		

Mouser Electronics

Authorized Distributor

Click to View Pricing, Inventory, Delivery & Lifecycle Information:

[TE Connectivity:](#)

[1-583616-0](#)