

REVISIONS

P	LTR	DESCRIPTION	DATE	DWN	APVD
A1		Released as per ECR-08-022292	4-Sep-08	SP	JC
V		ECR-16-003733	12MAR2016	KR	TN

LASER MARKING: TE LOGO PN VALUE TOLERANCE & DATE CODE

6 HOLES Ø5.3

5.6 MIN

M6 ST/STEEL TERMINAL STUDS. EACH SUPPLIED WITH:- 2 OFF M6 ST/STEEL FULL NUTS 2 OFF M6/STEEL PLAN WASHERS

57.2±0.3

GOLD ANODISED ALUMINIUM HOUSINGS

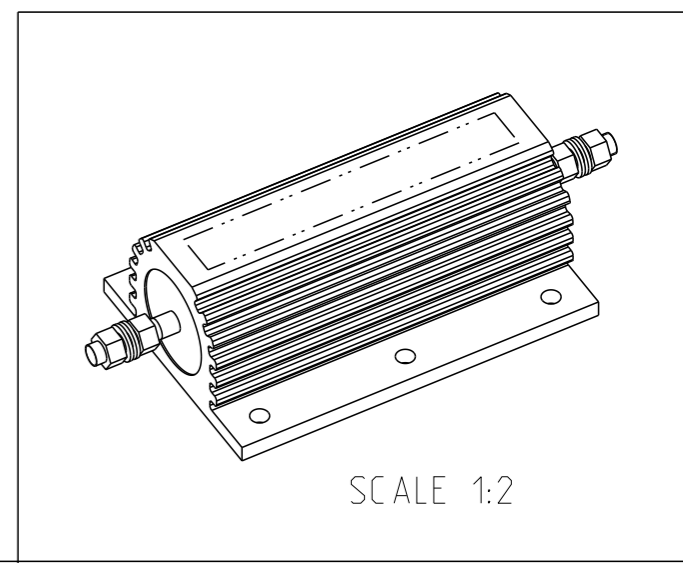
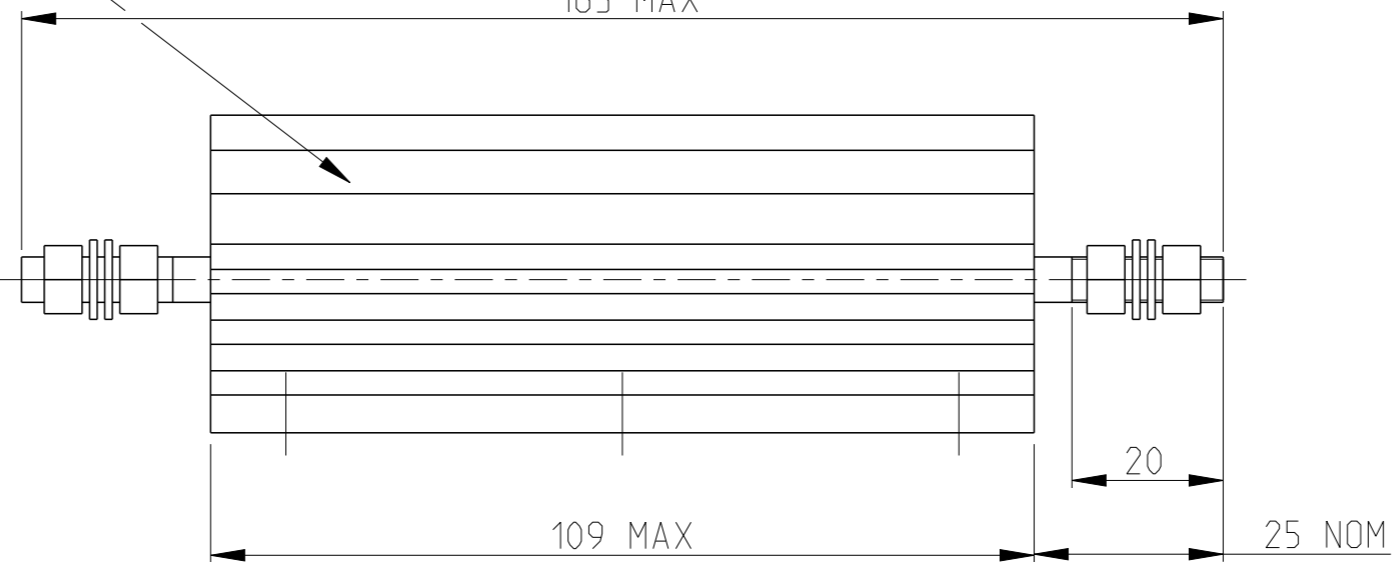
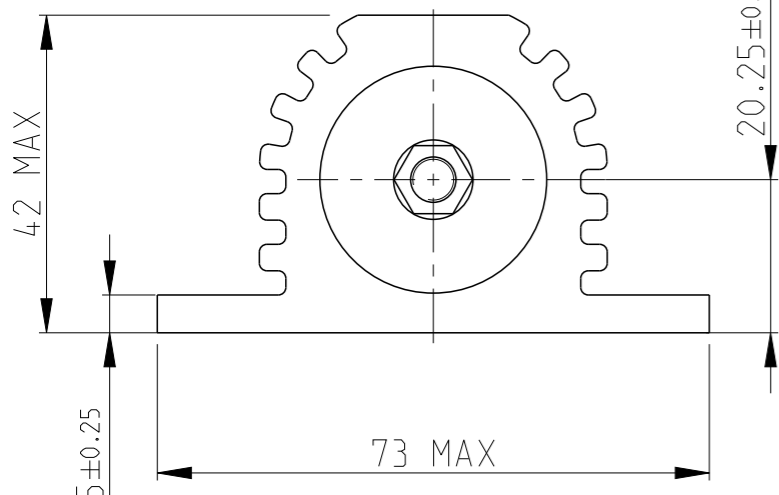
44.5±0.3

44.5±0.3

9.95±0.5

163 MAX

RoHS Compliant



- 1 FOR FURTHER INFORMATION SEE DATA SHEET FOR HS SERIES-ALUMINIUM HOUSED RESISTORS
- 2 FOR A SPECIFIC PN FOR A RESISTANCE VALUE AND TOLERANCE, PLEASE REFER TO DMF

THIS DRAWING IS A CONTROLLED DOCUMENT.

DWN DAVE KENNEDY 28.SEP.05

CHK J CATCHPOLE 29.SEP.05

APVD J CATCHPOLE 29.SEP.05

PRODUCT SPEC

APPLICATION SPEC

WEIGHT -

CUSTOMER DRAWING



TE Connectivity

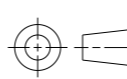
NAME HSC250 ALUMINIUM HOUSED POWER RESISTOR

SIZE A3 CAGE CODE 00779 DRAWING NO C-1630024 RESTRICTED TO -

SCALE 1:1 SHEET 1 OF 1 REV V

DIMENSIONS: mm

TOLERANCES UNLESS OTHERWISE SPECIFIED:



0 PLC	±0.5
1 PLC	±0.2
2 PLC	±0.1
3 PLC	±
4 PLC	±
ANGLES	±5°

MATERIAL -

material\_2

FINISH -

finish\_spec\_2

# Mouser Electronics

Authorized Distributor

Click to View Pricing, Inventory, Delivery & Lifecycle Information:

[TE Connectivity:](#)

[HSC25010RJ](#)