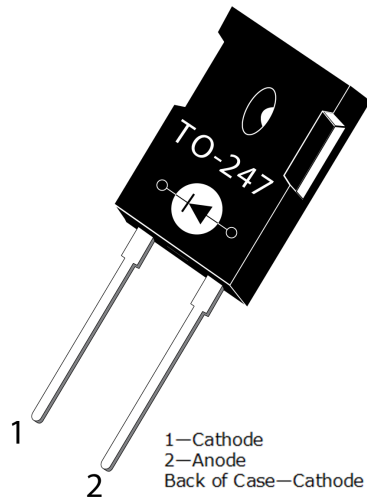


APT60D60BG Ultrafast Soft Recovery Rectifier Diode

1 Product Overview

This section outlines the product overview for the APT60D60BG device.



1.1 Features

The following are key features of the APT60D60BG device.

- Ultrafast recovery times
- Soft recovery characteristics
- Low forward voltage
- Low leakage current
- RoHS compliant

1.2 Benefits

The following are benefits of the APT60D60BG device.

- Low switching losses
- Low noise (EMI) switching
- Cooler operation
- Higher reliability systems
- Increased system power density

1.3 Applications

The APT60D60BG device is designed for the following applications.

- Power factor correction (PFC)
- Anti-parallel diode
 - Switchmode power supply
 - Inverters
- Freewheeling diode
 - Motor controllers
 - Inverters/converters
- Snubber diode

2 Electrical Specifications

This section shows the electrical specifications of the APT60D60BG device.

2.1 Absolute Maximum Ratings

The following table shows the absolute maximum ratings of the APT60D60BG device.

All ratings: $T_c = 25\text{ }^\circ\text{C}$ unless otherwise specified.

Table 1 • Absolute Maximum Ratings

Symbol	Parameter	Ratings	Unit
V_R	Maximum DC reverse voltage	600	V
V_{RRM}	Maximum peak repetitive reverse voltage	600	
V_{RWM}	Maximum working peak reverse voltage	600	
$I_{F(AV)}$	Maximum average forward current ($T_c = 125\text{ }^\circ\text{C}$, duty cycle = 0.5)	60	A
$I_{F(RMS)}$	RMS forward current	132	
I_{FSM}	Non-repetitive forward surge current ($T_J = 45\text{ }^\circ\text{C}$, 8.3 ms)	600	
T_J, T_{STG}	Operating and storage temperature range	-55 to 175	$^\circ\text{C}$
T_L	Lead temperature for 10 seconds	300	

2.2 Electrical Performance

The following table shows the static characteristics of the APT60D60BG device.

Table 2 • Static Electrical Characteristics

Symbol	Characteristic	Test Conditions	Min	Typ	Max	Unit
V_F	Forward voltage	$I_F = 60\text{ A}$		1.6	1.8	V
		$I_F = 120\text{ A}$		1.9		
		$I_F = 60\text{ A}, T_J = 125\text{ }^\circ\text{C}$		1.4		
I_{RM}	Maximum reverse leakage current	$V_R = 600\text{ V}$			250	μA
		$V_R = 600\text{ V}, T_J = 125\text{ }^\circ\text{C}$			500	
C_J	Junction capacitance	$V_R = 200\text{ V}$		90		pF

The following table shows the dynamic characteristics of the APT60D60BG device.

Table 3 • Dynamic Characteristics

Symbol	Characteristic	Test Conditions	Min	Typ	Max	Unit
t_{rr}	Reverse recovery time	$I_F = 1\text{ A}$ $di_r/dt = -100\text{ A}/\mu\text{s}$ $V_R = 30\text{ V}$ $T_J = 25\text{ }^\circ\text{C}$		40		ns
t_{rr}	Reverse recovery time	$I_F = 60\text{ A}$ $di_r/dt = -200\text{ A}/\mu\text{s}$ $V_R = 400\text{ V}$ $T_C = 25\text{ }^\circ\text{C}$		130		
Q_{rr}	Reverse recovery charge	$I_F = 60\text{ A}$ $di_r/dt = -200\text{ A}/\mu\text{s}$ $V_R = 400\text{ V}$ $T_C = 25\text{ }^\circ\text{C}$		220		nC
I_{RRM}	Maximum reverse recovery current	$I_F = 60\text{ A}$ $di_r/dt = -200\text{ A}/\mu\text{s}$ $V_R = 400\text{ V}$ $T_C = 25\text{ }^\circ\text{C}$		4		A
t_{rr}	Reverse recovery time	$I_F = 60\text{ A}$ $di_r/dt = -200\text{ A}/\mu\text{s}$ $V_R = 400\text{ V}$ $T_C = 125\text{ }^\circ\text{C}$		170		ns
Q_{rr}	Reverse recovery charge	$I_F = 60\text{ A}$ $di_r/dt = -200\text{ A}/\mu\text{s}$ $V_R = 400\text{ V}$ $T_C = 125\text{ }^\circ\text{C}$		920		nC
I_{RRM}	Maximum reverse recovery current	$I_F = 60\text{ A}$ $di_r/dt = -200\text{ A}/\mu\text{s}$ $V_R = 400\text{ V}$ $T_C = 125\text{ }^\circ\text{C}$		10		A
t_{rr}	Reverse recovery time	$I_F = 60\text{ A}$ $di_r/dt = -1000\text{ A}/\mu\text{s}$ $V_R = 400\text{ V}$ $T_C = 125\text{ }^\circ\text{C}$		80		ns
Q_{rr}	Reverse recovery charge	$I_F = 60\text{ A}$ $di_r/dt = -1000\text{ A}/\mu\text{s}$ $V_R = 400\text{ V}$ $T_C = 125\text{ }^\circ\text{C}$		1900		nC
I_{RRM}	Maximum reverse recovery current	$I_F = 60\text{ A}$ $di_r/dt = -1000\text{ A}/\mu\text{s}$ $V_R = 400\text{ V}$ $T_C = 125\text{ }^\circ\text{C}$		38		A

The following table shows the thermal and mechanical characteristics of the APT60D60BG device.

Table 4 • Thermal and Mechanical Characteristics

Symbol	Characteristic/Test Conditions	Min	Typ	Max	Unit
$R_{\theta JC}$	Junction-to-case thermal resistance			0.34	°C/W
$R_{\theta JA}$	Junction-to-ambient thermal resistance			40	
Wt	Package weight		0.22		oz
			6.2		g
	Mounting torque			10	lbf-in
				1.1	N-m

2.3 Typical Performance Curves

This section shows the typical performance curves for the APT60D60BG device.

Figure 1 • Maximum Effective Transient Thermal Impedance, Junction-To-Case vs. Pulse Duration

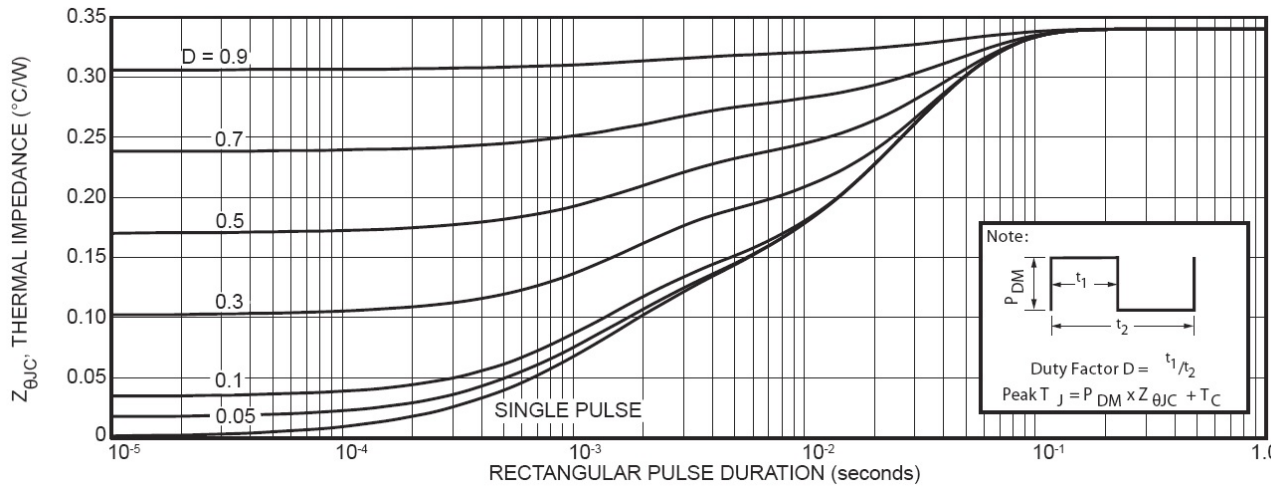


Figure 2 • Forward Current vs. Forward Voltage

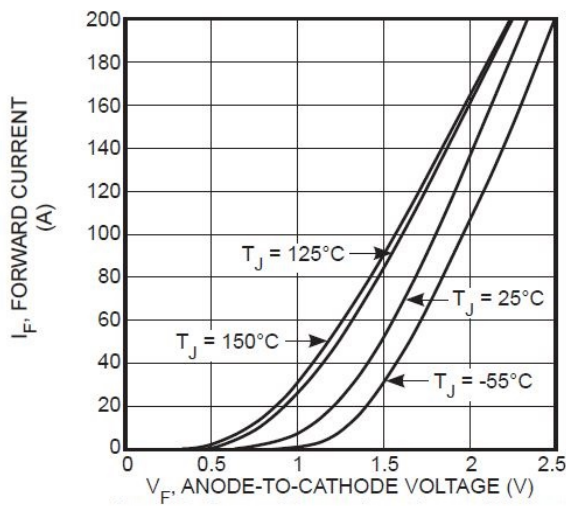


Figure 3 • RRT vs. Current Rate of Change

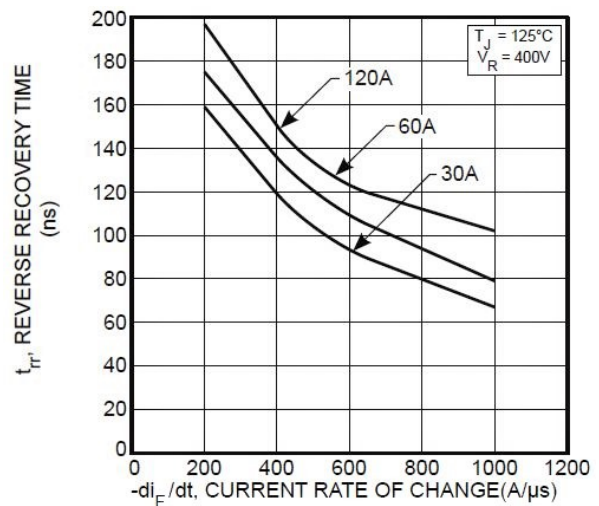


Figure 4 • Reverse Recovery Charge vs. Current Rate of Change

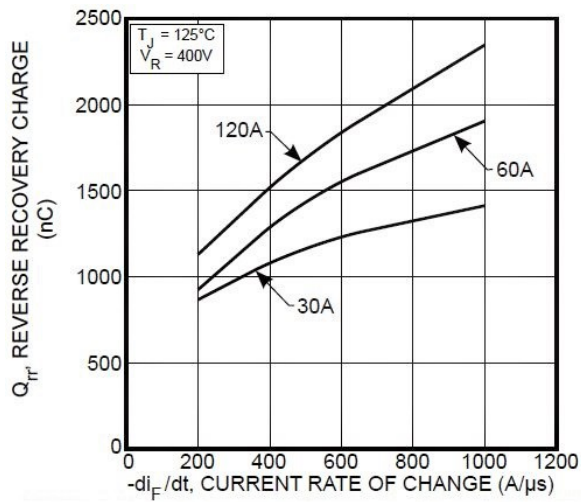


Figure 5 • Reverse Recovery Current vs. Current Rate of Change

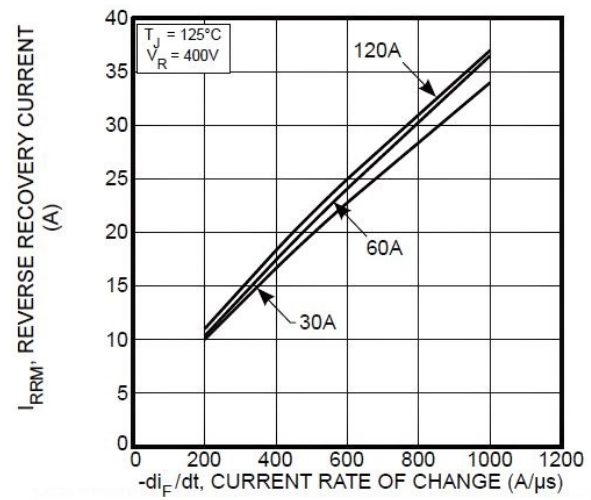


Figure 6 • Dynamic Parameters vs. Junction Temperature

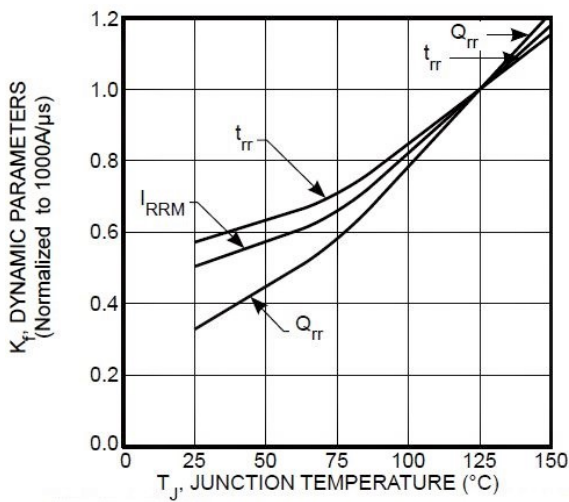


Figure 7 • Maximum Average Forward Current vs. Case Temperature

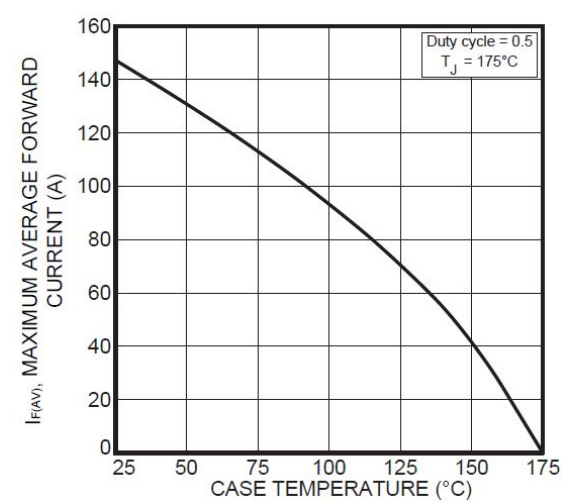
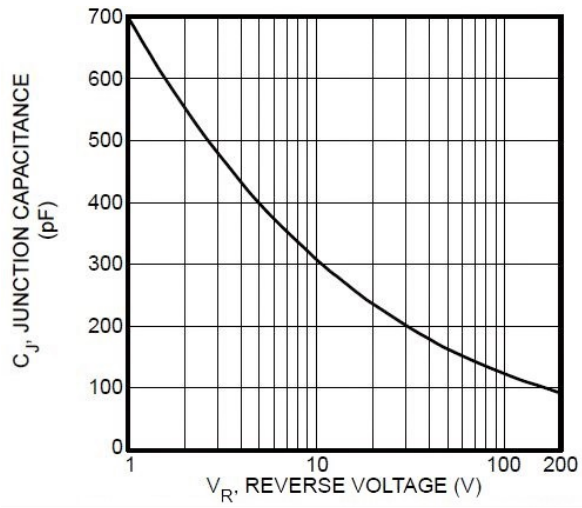


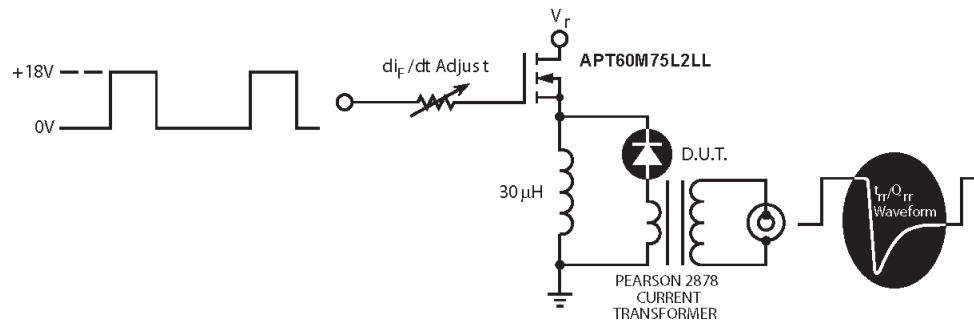
Figure 8 • Junction Capacitance vs. Reverse Voltage



2.4 Reverse Recovery Overview

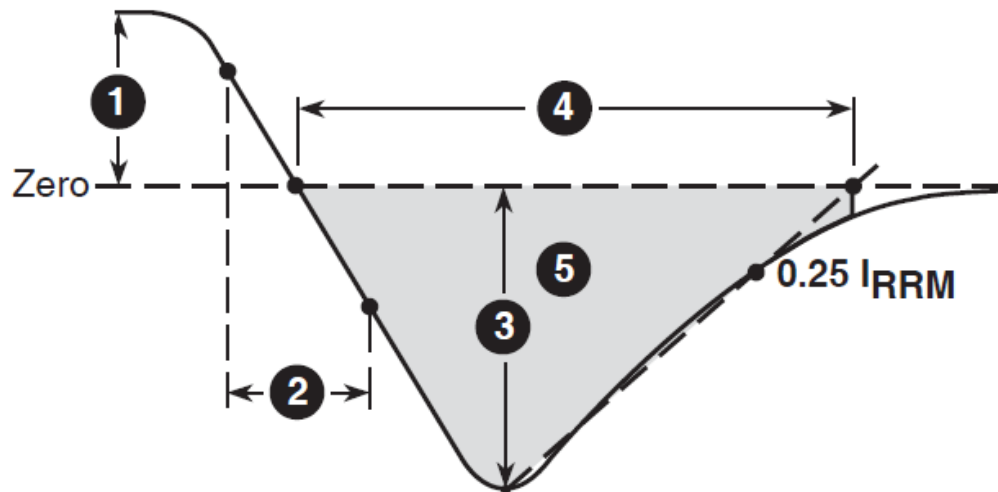
The following figure shows the diode test circuit of the APT60D60BG device.

Figure 9 • Diode Test Circuit



The following figure shows the diode reverse recovery waveform and definitions for the APT60D60BG device.

Figure 10 • Diode Reverse Recovery Waveform and Definitions



1. I_F —Forward conduction current
2. di_F/dt —Rate of diode current change through zero crossing
3. I_{RRM} —Maximum reverse recovery current
4. t_{rr} —Reverse recovery time, measured from zero crossing where diode current goes from positive to negative, to the point at which the straight line through I_{RRM} and $0.25 \cdot I_{RRM}$ passes through zero
5. Q_{rr} —Area under the curve defined by I_{RRM} and t_{rr}

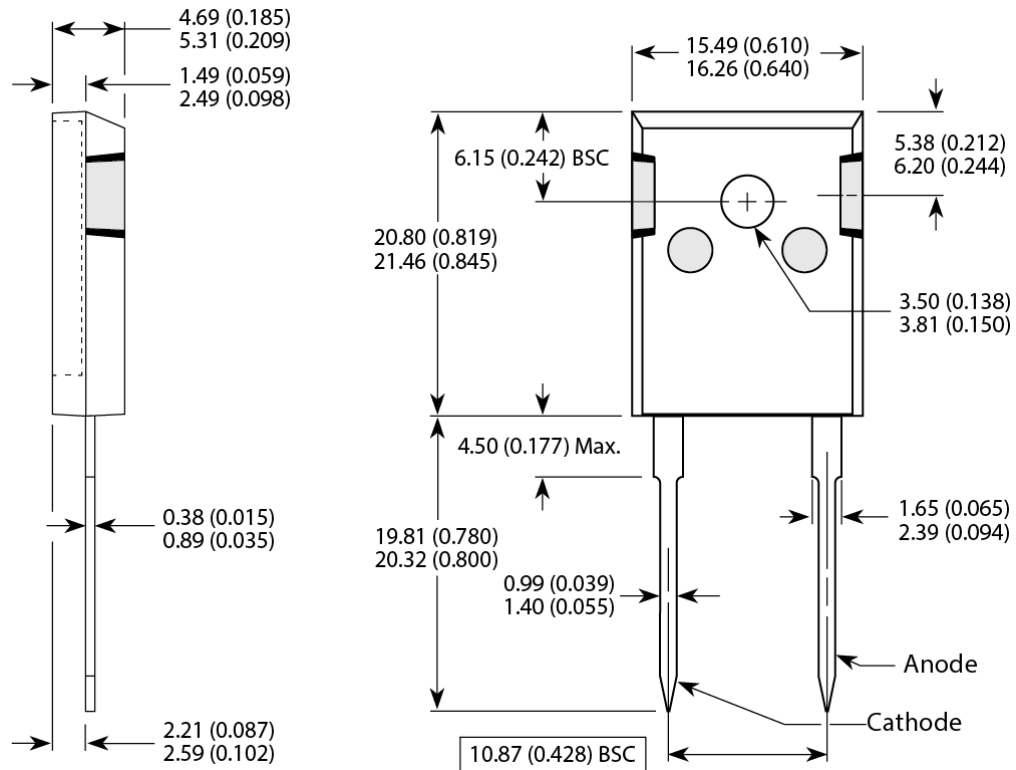
3 Package Specification

This section outlines the package specification of the APT60D60BG device.

3.1 Package Outline Drawing

The following figure shows the package outline drawing of the APT60D60BG device. Dimensions are in millimeters and (inches).

Figure 11 • Package Outline Drawing



**Microsemi Headquarters**

One Enterprise, Aliso Viejo,
CA 92656 USA

Within the USA: +1 (800) 713-4113

Outside the USA: +1 (949) 380-6100

Sales: +1 (949) 380-6136

Fax: +1 (949) 215-4996

Email: sales.support@microsemi.com

www.microsemi.com

© 2018 Microsemi. All rights reserved. Microsemi and the Microsemi logo are trademarks of Microsemi Corporation. All other trademarks and service marks are the property of their respective owners.

Microsemi makes no warranty, representation, or guarantee regarding the information contained herein or the suitability of its products and services for any particular purpose, nor does Microsemi assume any liability whatsoever arising out of the application or use of any product or circuit. The products sold hereunder and any other products sold by Microsemi have been subject to limited testing and should not be used in conjunction with mission-critical equipment or applications. Any performance specifications are believed to be reliable but are not verified, and Buyer must conduct and complete all performance and other testing of the products, alone and together with, or installed in, any end-products. Buyer shall not rely on any data and performance specifications or parameters provided by Microsemi. It is the Buyer's responsibility to independently determine suitability of any products and to test and verify the same. The information provided by Microsemi hereunder is provided "as is, where is" and with all faults, and the entire risk associated with such information is entirely with the Buyer. Microsemi does not grant, explicitly or implicitly, to any party any patent rights, licenses, or any other IP rights, whether with regard to such information itself or anything described by such information. Information provided in this document is proprietary to Microsemi, and Microsemi reserves the right to make any changes to the information in this document or to any products and services at any time without notice.

Microsemi, a wholly owned subsidiary of Microchip Technology Inc. (Nasdaq: MCHP), offers a comprehensive portfolio of semiconductor and system solutions for aerospace & defense, communications, data center and industrial markets. Products include high-performance and radiation-hardened analog mixed-signal integrated circuits, FPGAs, SoCs and ASICs; power management products; timing and synchronization devices and precise time solutions, setting the world's standard for time; voice processing devices; RF solutions; discrete components; enterprise storage and communication solutions; security technologies and scalable anti-tamper products; Ethernet solutions; Power-over-Ethernet ICs and midspans; as well as custom design capabilities and services. Microsemi is headquartered in Aliso Viejo, California, and has approximately 4,800 employees globally. Learn more at www.microsemi.com.

053-6001

Mouser Electronics

Authorized Distributor

Click to View Pricing, Inventory, Delivery & Lifecycle Information:

[Microchip:](#)

[APT60D60BG](#)