



CAMBLOCK PLUS

5mm Pitch Pluggable Rising Clamp Terminal Blocks with Screw Flanges

- 2-24 pole solid block
- Pluggable male-female connectors
- Screw flanges
- Horizontal female plug style
- Polarised mouldings
- Moulded in green UL94-V0 flame retardant PA66
- Professional rising clamp terminals
- 0.8 to 2.08mm² (28-14 AWG)
- Anti solder wicking
- Captive screws
- Guided pin alignment
-   approved

SPECIFICATION

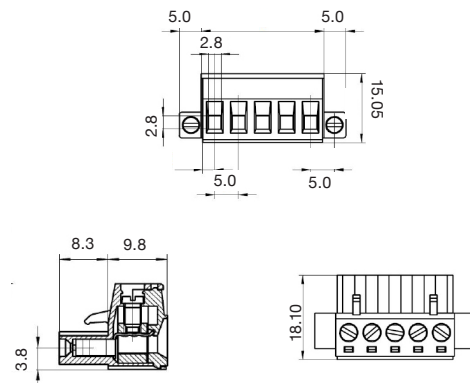
Rating	20A/450V UL=15A/300V, VDE&IMQ=20A/450V
Dielectric strength	0.5kV
Impulse withstand voltage	2kV
Working temperature	-40°C to 105°C
Moulding	UL94-V0 flame retardant PA66
Pin/terminal	Copper alloy, NI & SN
Rising clamp	Copper alloy, NI & SN
Screw/torque	M3 steel zinc plated, 0.5Nm
Recommended PCB hole size	ø1.7mm

PCB
TERMINAL
BLOCKS

Female connector

TYPE NO.	POLES	LENGTH
CTBP9200/2FL	2	20mm
CTBP9200/3FL	3	25mm
CTBP9200/4FL	4	30mm
CTBP9200/5FL	5	35mm
CTBP9200/6FL	6	40mm
CTBP9200/7FL	7	45mm
CTBP9200/8FL	8	50mm
CTBP9200/9FL	9	55mm
CTBP9200/10FL	10	60mm
CTBP9200/11FL	11	65mm
CTBP9200/12FL	12	70mm

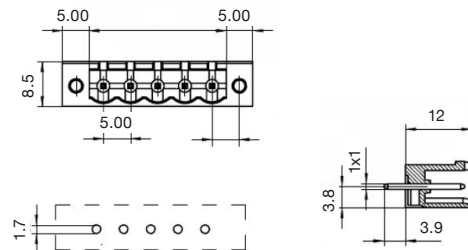
CTBP9200/FL



PCB mounting male vertical

TYPE NO.	POLES	LENGTH
CTBP9300/2FL	2	20mm
CTBP9300/3FL	3	25mm
CTBP9300/4FL	4	30mm
CTBP9300/5FL	5	35mm
CTBP9300/6FL	6	40mm
CTBP9300/7FL	7	45mm
CTBP9300/8FL	8	50mm
CTBP9300/9FL	9	55mm
CTBP9300/9FL	9	55mm
CTBP9300/10FL	10	60mm
CTBP9300/11FL	11	65mm
CTBP9300/12FL	12	70mm

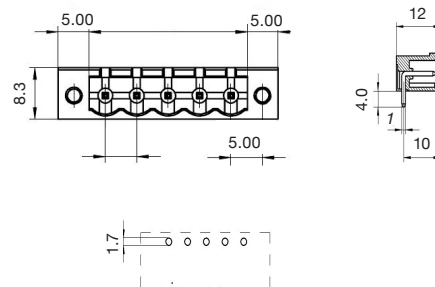
CTBP9300/ FL



PCB mounting male horizontal

TYPE NO.	POLES	LENGTH
CTBP9350/2FL	2	20mm
CTBP9350/3FL	3	25mm
CTBP9350/4FL	4	30mm
CTBP9350/5FL	5	35mm
CTBP9350/6FL	6	40mm
CTBP9350/7FL	7	45mm
CTBP9350/8FL	8	50mm
CTBP9350/9FL	9	55mm
CTBP9350/10FL	10	60mm
CTBP9350/11FL	11	65mm
CTBP9350/12FL	12	70mm

CTBP9350/ FL



+44 (0)1638 716101
info@camdenboss.com
www.camdenboss.com

We operate a constant improvement policy, our products are subject to change without notice.

Ver 1

CAMDENBOSS
ELECTRONICS & ENCLOSURES