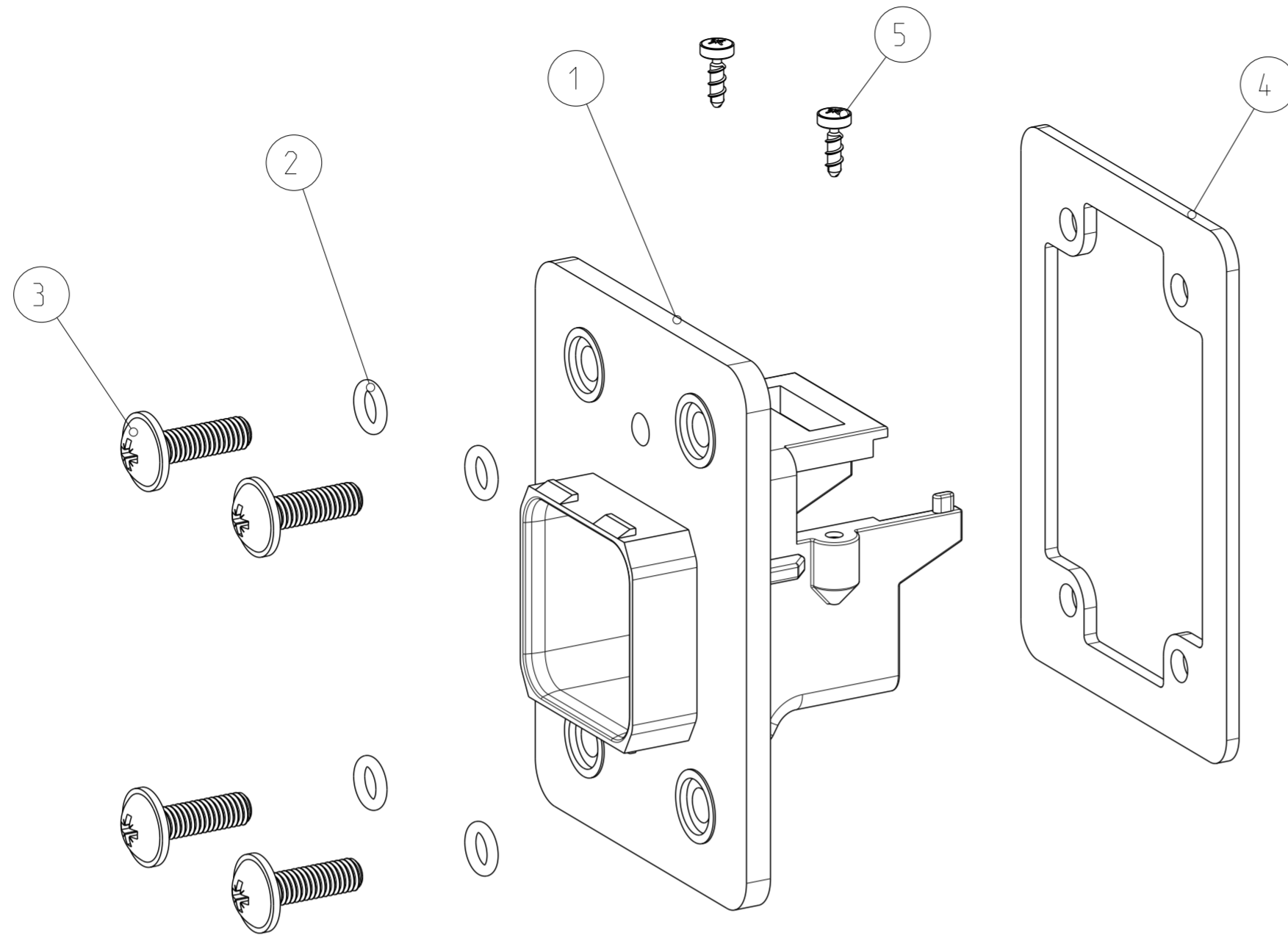
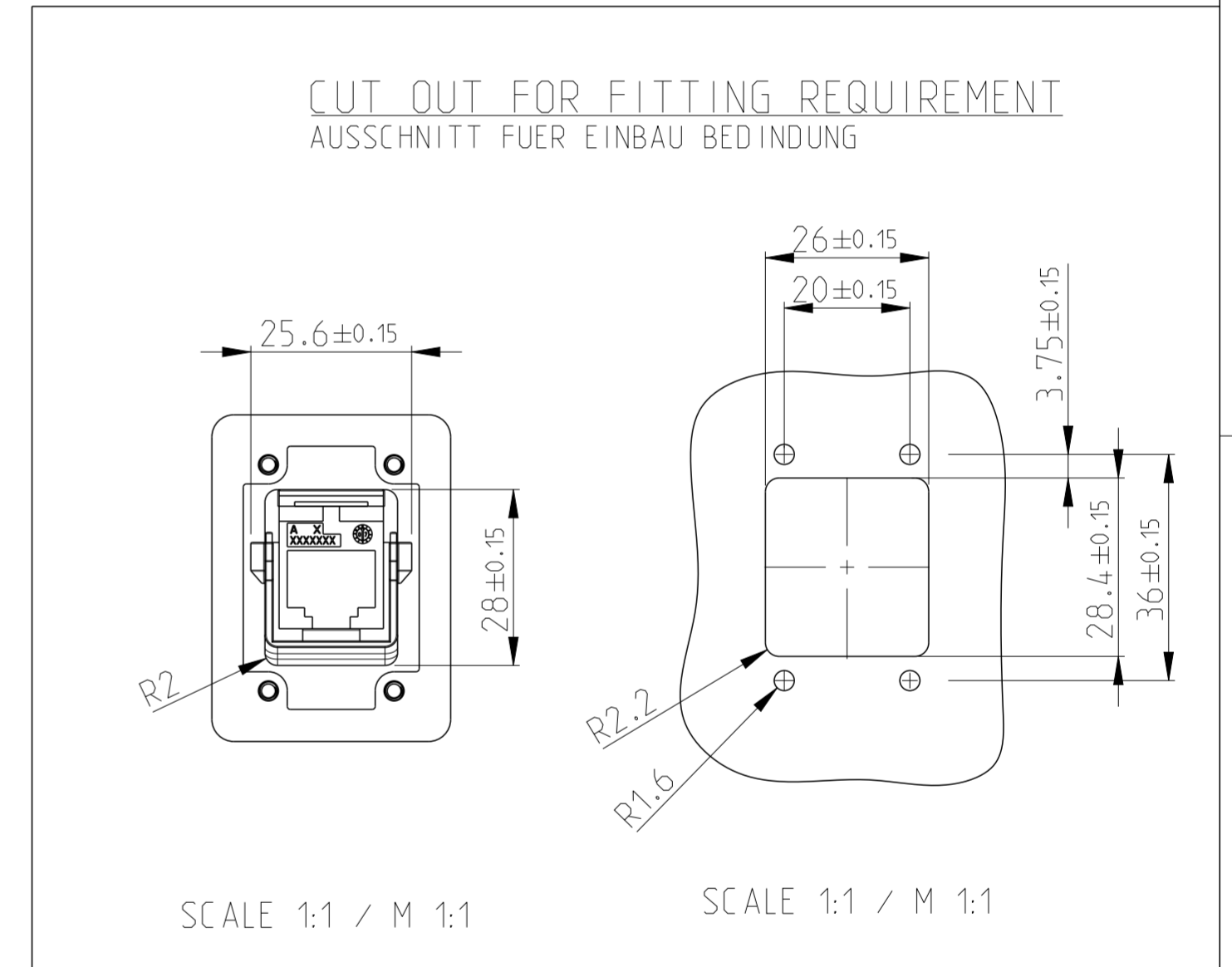


REVISIONS				
P	LTR	DESCRIPTION	DATE	APVD
	A4	PN 1987307-2 DISCONTINUED	05JAN2018	TJ NG



SINGLE PACKING: PLASTIC BAG (MINI GRIP) WITH MANUAL.
 MULTI PACKING: 50 PIECE ITEM NO. 1 IN CORD TENSIONING BAG+
 200 PIECE ITEM NO. 2 IN PLASTIC BAG (MINI GRIP) +
 200 PIECE ITEM NO. 3 PLASTIC BAG (MINI GRIP) +
 50 PIECE ITEM NO. 4 PLASTIC BAG (MINI GRIP) +
 100 PIECE ITEM NO. 5 PLASTIC BAG (MINI GRIP) +
 PACKED IN CORRUGATED SHIPPING BOX WITH MANUAL.

EINZELVERPACKUNG: KUNSTSTOFFBEUTEL (MINI GRIP) MIT ANLEITUNG.
 MEHRFACHVERPACKUNG: 50 STUECK POS. 1 IN KORDELZUG BEUTEL +
 200 STUECK POS. 2 IN KUNSTSTOFFBEUTEL (MINI GRIP) +
 200 STUECK POS. 3 IN KUNSTSTOFFBEUTEL (MINI GRIP) +
 50 STUECK POS. 4 IN KUNSTSTOFFBEUTEL (MINI GRIP) +
 100 STUECK POS. 5 IN KUNSTSTOFFBEUTEL (MINI GRIP) +
 VERPACKT IN VERSANDKARTON MIT ANLEITUNG.



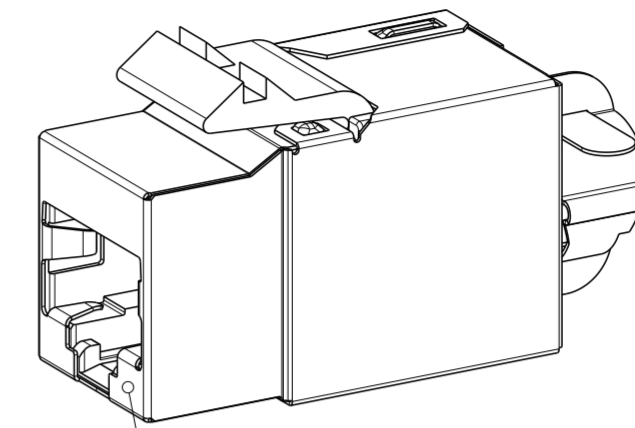
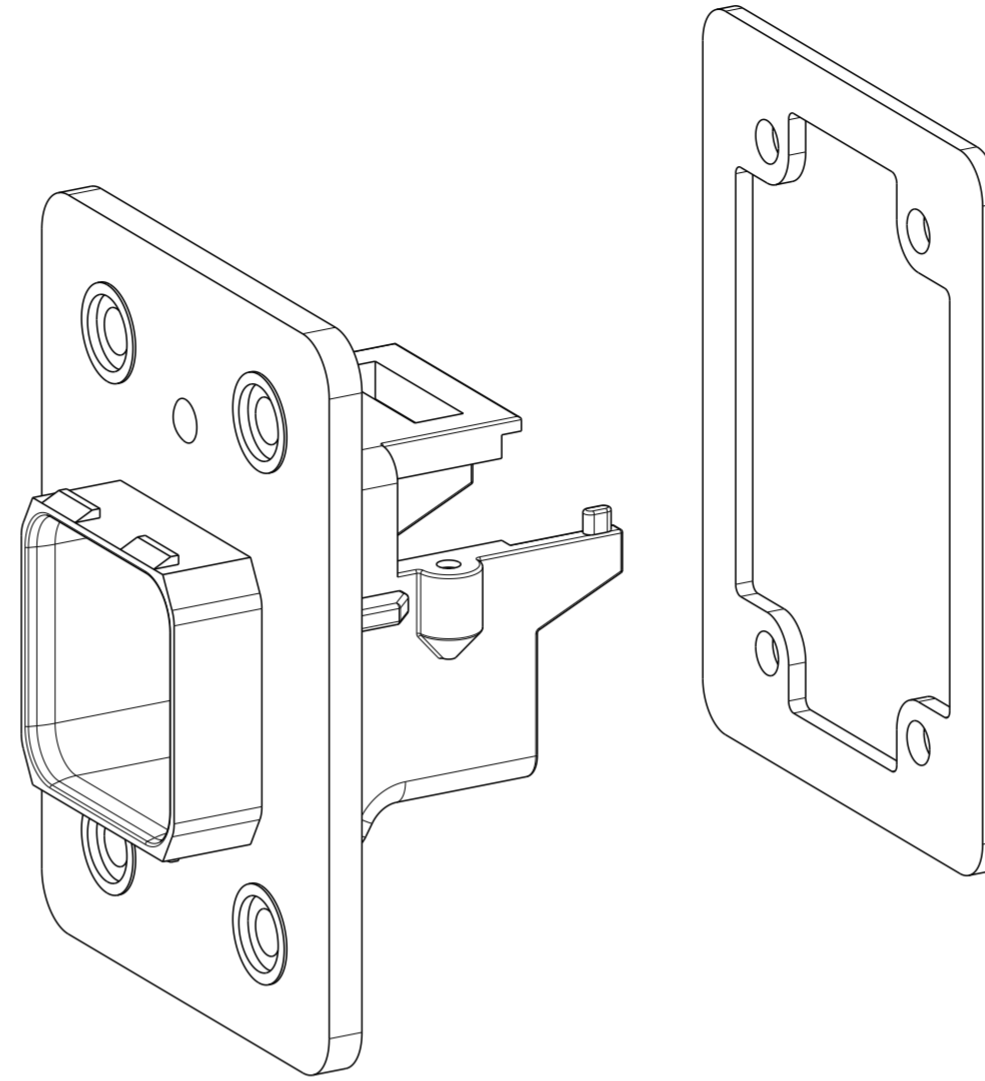
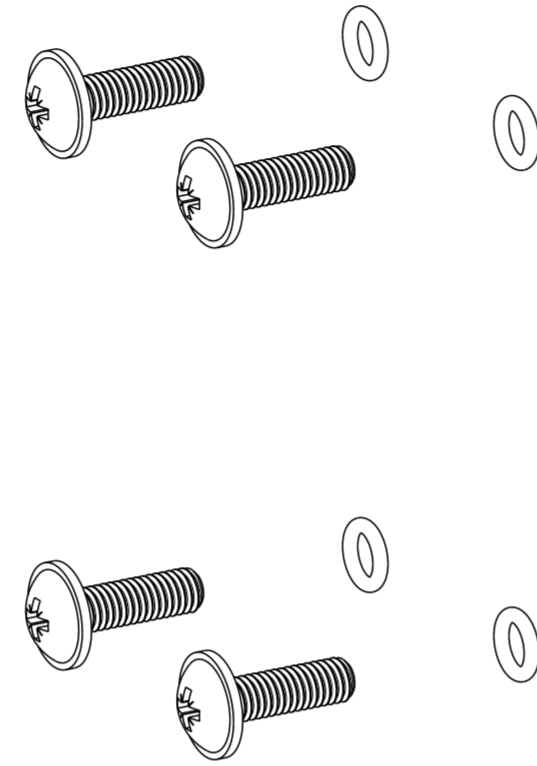
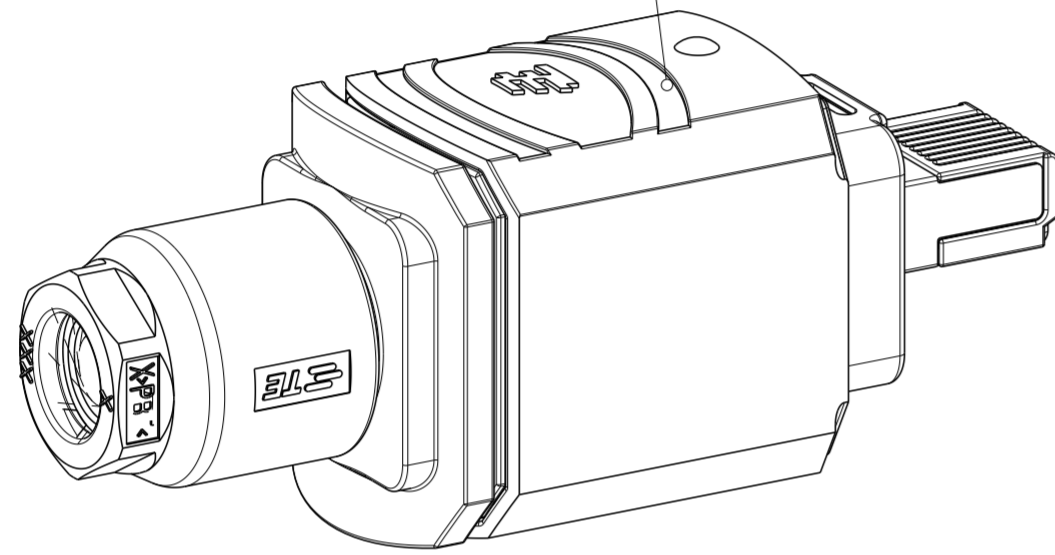
-	-	1	1	-	MANUAL	6
-	-	100	2	-	TREAD ROLLING SCREW M1.6 x 6	5
-	-	50	1	-	FLAT GASKET FOR IP67 PUSH-PULL FRAME	4
-	-	200	4	-	ROUND HEAD SCREW Mx3	3
-	-	200	4	-	O-RING SEAL FOR IP67 PUSH-PULL FRAME	2
-	-	50	1	-	FRAME, PUSH-PULL, IP67	1
-	-	-2	-1	DWG. SIZE	PARTNUMBER	DESCRIPTION
-	-	-	-	←	REVISION OF EACH ASSY NO. (WHEN BLANK, USE DWG. REVISION)	
QTY REQD PER ASSY		PARTS LIST				

DIMENSIONS:		TOLERANCES UNLESS OTHERWISE SPECIFIED:		DWN		CHK		APVD		NAME	
mm		0 PLC	±	N.Thirunavukkarasu		W. BOECK		R.KRAEMER		ASSY, IP65/67 PUSH-PULL FRAME	
		1 PLC	±	08NOV2007		08NOV2007		08NOV2007		ASSY, IP65/67 PUSH-PULL RAHMEN	
		2 PLC	±	R.KRAEMER		R.KRAEMER		108-94207		-	
		3 PLC	±	PRODUCT SPEC		APPLICATION SPEC		-		-	
		4 PLC	±	-		-		-		-	
		ANGLES	±°	-		-		-		-	
		FINISH	-	WEIGHT		-		-		-	
material_2		finish_spec_2		CUSTOMER DRAWING		SCALE 2:1		SHEET 1 OF 2		REV A4	

APPLICABLE VERSION
 ANWENDBARE VERSION

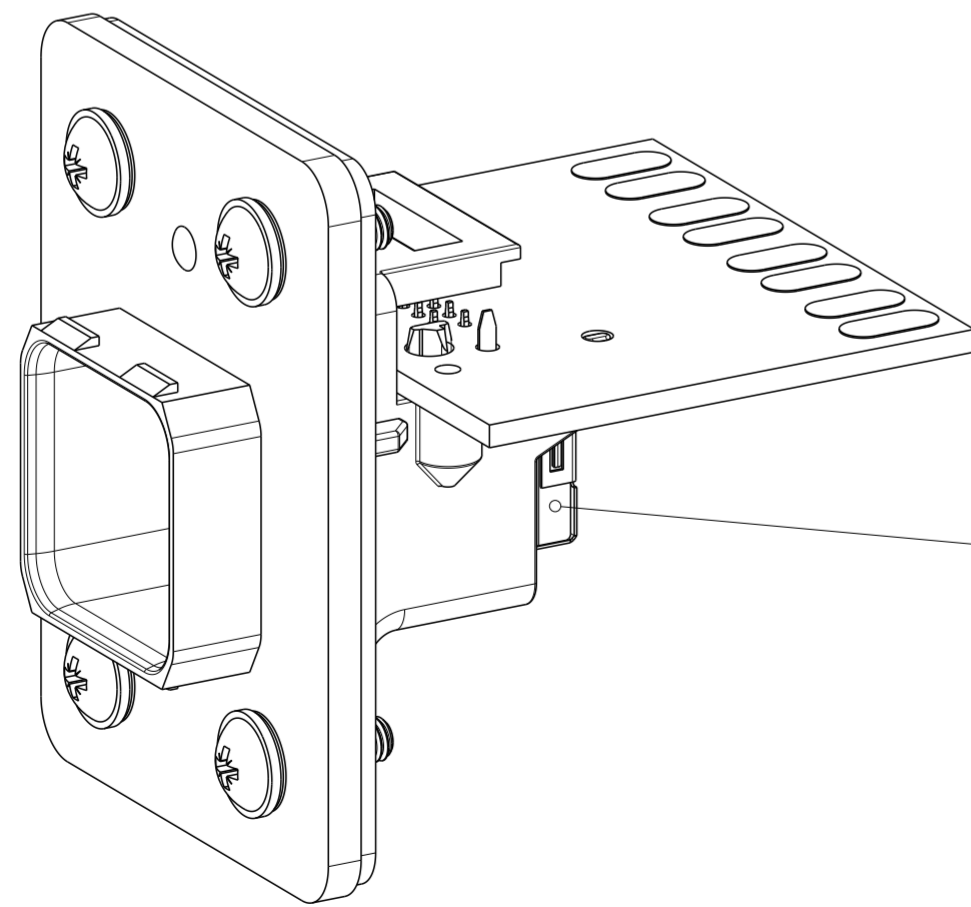
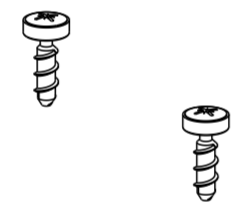
REVISIONS				
P	LTR	DESCRIPTION	DATE	APVD
-		SEE SHEET 1	-	-

RJ45 PLUG, PUSH-PULL, ASSY
 RJ45 STECKER, PUSH-PULL, ASSY
 CAT5, SHIELDED
 PN: 1987004-1/-2

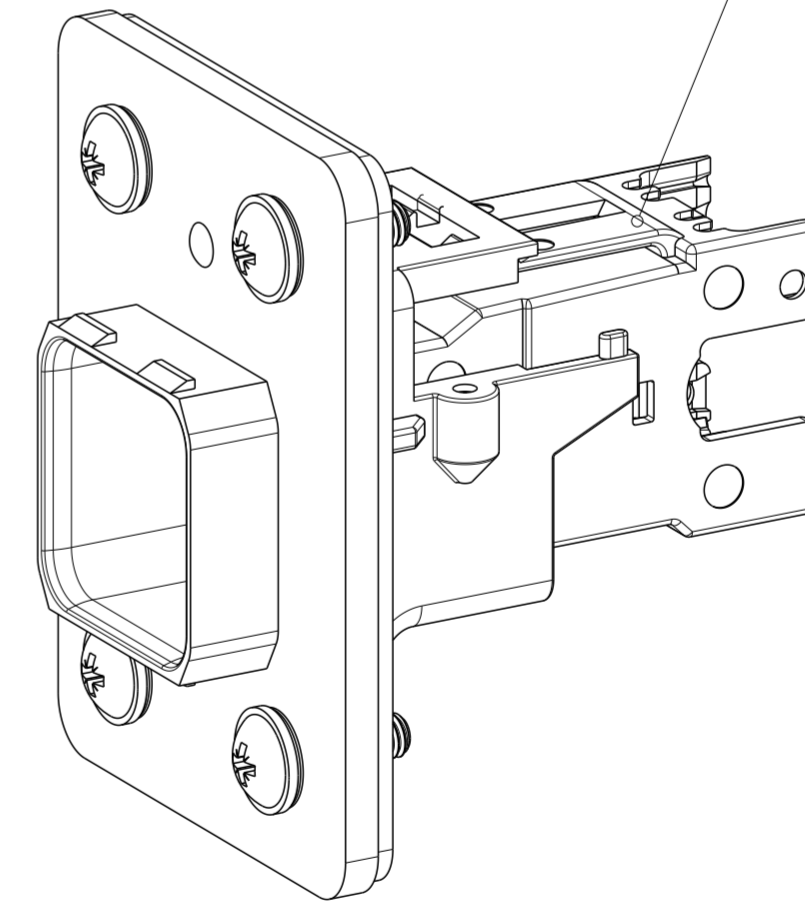


ASSEMBLY, SL 110 JACK, SHIELD, CATEGORY 5e
 PN: 1375189-1

AMP-TWIST-6S SL JACK
 PN1711342-1



INVERTED MOD JACK ASSY SHIELDED
 PN: 406541-1



THIS DRAWING IS A CONTROLLED DOCUMENT.		DWN 08NOV2007 N.Thirunavukkarasu	STE TE Connectivity	
DIMENSIONS: mm		CHK W_BOECK 08NOV2007		
TOLERANCES UNLESS OTHERWISE SPECIFIED:		APVD R.KRAEMER 08NOV2007	NAME ASSY, IP67 PUSH-PULL FRAME ASSY, IP67 PUSH-PULL RAHMEN	
0 PLC ± 1 PLC ± 2 PLC ± 3 PLC ± 4 PLC ± ANGLES ±°		PRODUCT SPEC	SIZE A2	CAGE CODE 00779
MATERIAL material_2		FINISH finish_spec_2	DRAWING NO C-1987307	RESTRICTED TO -
		CUSTOMER DRAWING	SCALE 2:1	SHEET 2 OF 2 REV A4

Mouser Electronics

Authorized Distributor

Click to View Pricing, Inventory, Delivery & Lifecycle Information:

[TE Connectivity:](#)

[1987307-1](#)