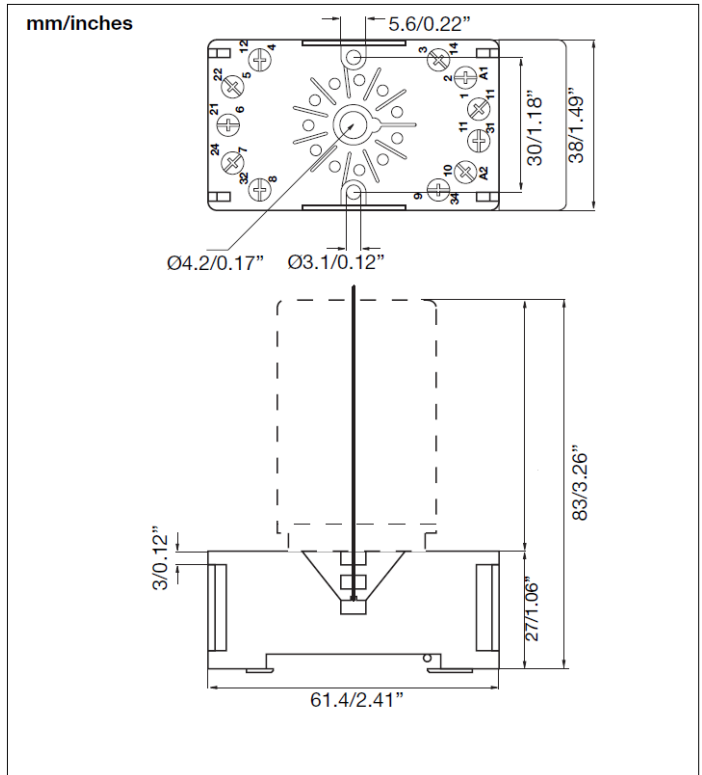
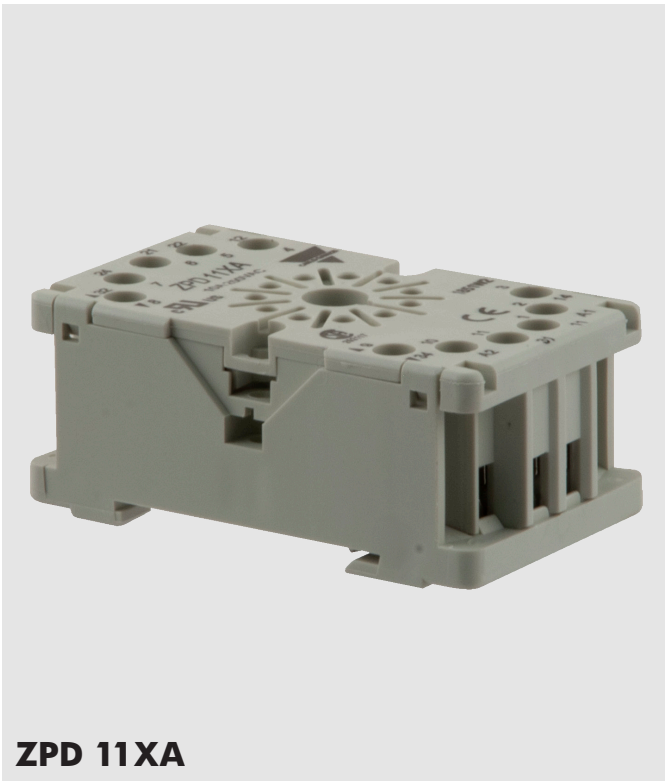


Sockets for RCP relays

ZPD 11 XA



ZPD 11XA

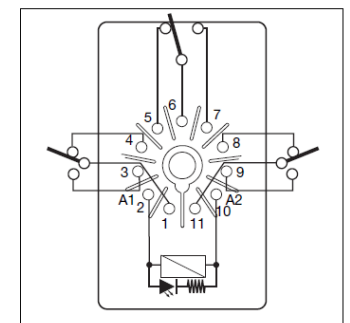
General data

| | |
|-----------------------------|--|
| Rated voltage | 250VAC |
| Rated current | 10A |
| Insulation voltage | >3kV |
| Protection degree | IP 20 (EN60529) |
| Operating temperature range | -25° to +70°C (-13° to +158°F) |
| Socket material | PA66+GF (V0) |
| Socket colour | RAL 7035 / Pantone 1C |
| Terminal type | Screw cage |
| Screw type | M3 with combi head (slotted, Philips Gr.1, Pozi) |
| Maximum screw torque | 1N/m |
| Max Wire section | |
| Flex / compact wire | 2 x 2.5mm ² (14AWG) |
| Cable End | 2 x 1.5mm ² (16AWG) |
| Contacts material | Nikel plated - CuSn |

Terminal type



Wiring diagram



Approvals



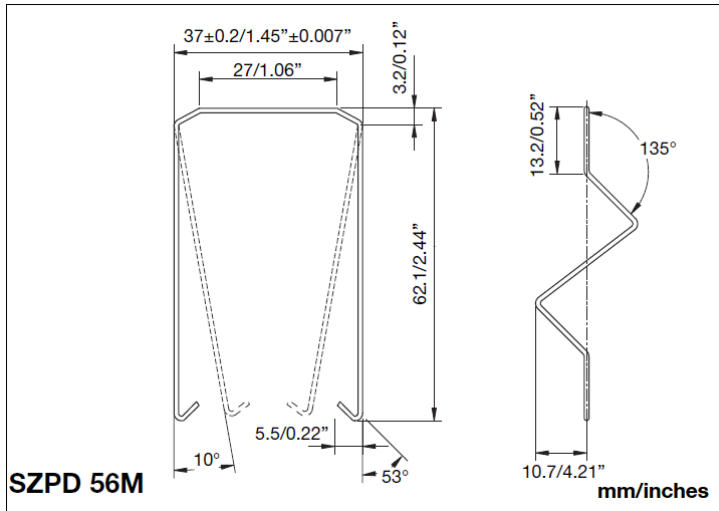
| | |
|------------------------------------|-----------------|
| Ordering part number | ZPD11XA |
| Box content: | 10 sockets |
| Box size: (W 70 x D 140 x H 85) mm | Weight: 650g |
| (W 2.75 x D 5.51 x H 3.35) inches | Weight: 22.93oz |

Optional Accessories (to be ordered separately if required)

Hold-down spring steel SZPD56M

Optional Springs for ZPD series

SZPD 56M



General data

Spring material

Stainless steel

Packaging

Box content:

1 plastic bag, 10pcs.

Weight:

~10g (0.36oz)

RoHS
COMPLIANT