

1 Channel Compact High Side Switch ICs

Output OFF Latch High Side Switch ICs

BD6538G

General Description

BD6538G is a high-side switch IC using a single N-Channel MOSFET with low ON-Resistance. Moreover, safety functions such as Over-Current Detection (OCD), Thermal Shutdown (TSD), Under Voltage Lock Out (UVLO) and soft start function which are required for the power supply port protection are integrated into 1chip.

Features

- Built in Single Low ON-Resistance (Typ= 150mΩ) N-Channel MOSFET
- Control Input Logic: Active-High
- Soft Start Function
- Over-Current Detection (Output Off-Latch Operating)
- Thermal Shutdown
- Open Drain Error Flag Output
- Under Voltage Lockout

Applications

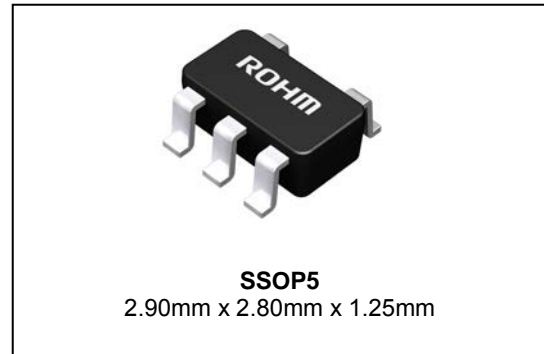
USB hub in consumer appliances, PC, PC peripheral equipment, and so forth

Key Specifications

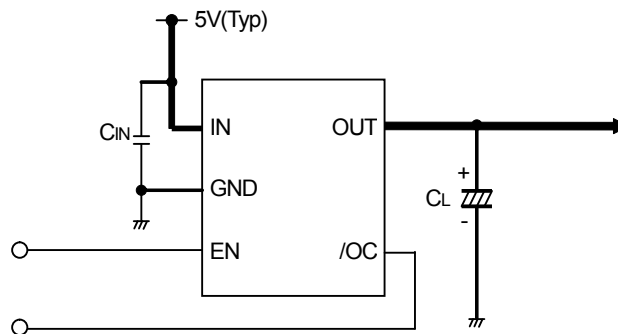
- Input Voltage Range: 2.7V to 5.5V
- Continuous Load Current: 0.5A
- ON-Resistance: 150mΩ(Typ)
- Over-Current Threshold: 0.5A (Min), 1.0A (Max)
- Standby Current: 0.01μA (Typ)
- Operating Temperature Range: -40°C to +85°C

Package

W(Typ) D(Typ) H (Max)



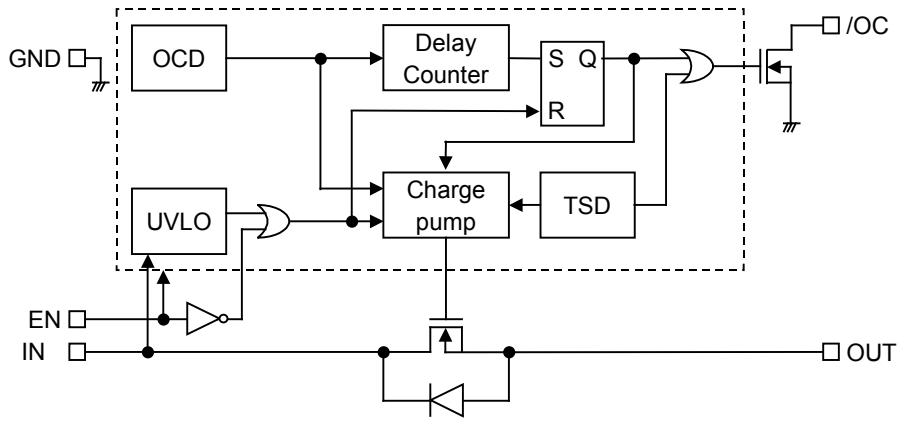
Typical Application Circuit



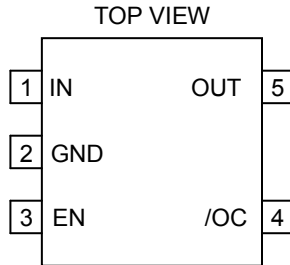
Lineup

Over-Current Threshold			Control Input Logic	Package		Orderable Part Number
Min	Typ	Max				
0.5A	-	1.0A	High	SSOP5	Reel of 3000	BD6538G-TR

Block Diagram



Pin Configuration



Pin Description

Pin No.	Symbol	I/O	Pin Function
1	IN	-	Power supply input terminal. Input terminal to the power switch and supply of the internal circuit.
2	GND	-	Ground.
3	EN	I	Power switch enable input (active high).
4	/OC	O	Over-current output. Low level at over-current detection. Open drain output.
5	OUT	O	Power switch output.

Absolute Maximum Ratings(Ta=25°C)

Parameter	Symbol	Rating	Unit
Supply Voltage	V _{IN}	-0.3 to +6.0	V
Enable Voltage	V _{EN}	-0.3 to +6.0	V
/OC Voltage	V _{/OC}	-0.3 to +6.0	V
/OC Current	I _{/OC}	5	mA
OUT Voltage	V _{OUT}	-0.3 to V _{IN} + 0.3	V
Storage Temperature	T _{stg}	-55 to +150	°C
Power Dissipation	P _d	0.67 ^(Note 1)	W

(Note 1) Mounted on a 70mm x 70mm x 1.6mm glass epoxy board. Derate by 5.4mW/°C above Ta = 25°C

Caution: Operating the IC over the absolute maximum ratings may damage the IC. The damage can either be a short circuit between pins or an open circuit between pins and the internal circuitry. Therefore, it is important to consider circuit protection measures, such as adding a fuse, in case the IC is operated over the absolute maximum ratings.

Recommended Operating Conditions

Parameter	Symbol	Rating			Unit
		Min	Typ	Max	
Operating Voltage	V _{IN}	2.7	-	5.5	V
Operating Temperature	Topr	-40	-	+85	°C
Continuous Output Current	I _{OUT}	0	-	0.5	A

Electrical Characteristics

Unless otherwise specified V_{IN} = 5.0V, Ta = 25°C

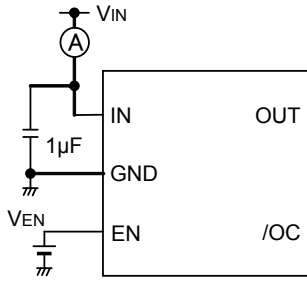
DC Characteristics

Parameter	Symbol	Limit			unit	Conditions
		Min	Typ	Max		
Operating Current	I _{DD}	-	110	160	μA	V _{EN} = 5.0V, V _{OUT} = Open
Standby Current	I _{STB}	-	0.01	5	μA	V _{EN} = 0V, V _{OUT} = Open
EN Input Voltage	V _{ENH}	2.0	-	-	V	High Input
	V _{ENL}	-	-	0.8	V	Low Input
EN Input Current	I _{EN}	-1.0	+0.01	+1.0	μA	V _{EN} = 0V or 5V
ON-Resistance	R _{ON}	-	150	200	mΩ	I _{OUT} = 50mA
Over-Current Threshold	I _{TH}	0.5	-	1.0	A	-
Output Current at Short	I _{SC}	0.35	-	-	A	V _{OUT} = 0V (RMS)
/OC Output Low Voltage	V _{/OC}	-	-	0.4	V	I _{/OC} = 0.5mA
UVLO Threshold	V _{TUVH}	2.1	2.3	2.5	V	Increasing V _{IN}
	V _{TUVL}	2.0	2.2	2.4	V	Decreasing V _{IN}

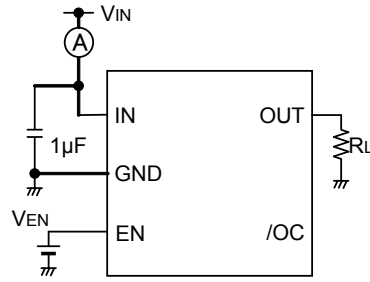
AC Characteristics

Parameter	Symbol	Limit			unit	Conditions
		Min	Typ	Max		
Output Rise Time	t _{ON1}	-	1	6	ms	R _L = 20Ω, Figure 2. Ref.
Output Rise Delay Time	t _{ON2}	-	1.5	10	ms	R _L = 20Ω, Figure 2. Ref.
Output Fall Time	t _{OFF1}	-	1	20	μs	R _L = 20Ω, Figure 2. Ref.
Output Fall Delay Time	t _{OFF2}	-	3	40	μs	R _L = 20Ω, Figure 2. Ref.
Blanking Time	t _{BLANK}	10	15	20	ms	-

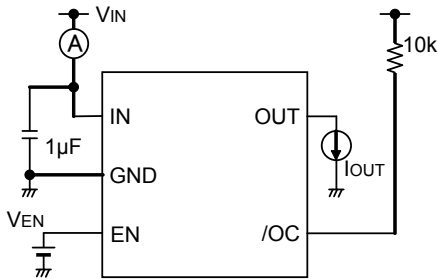
Measurement Circuit



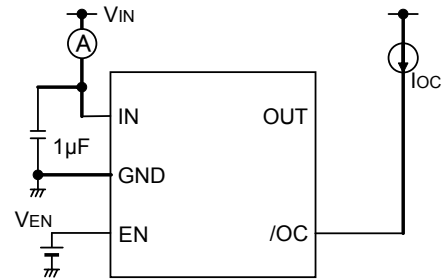
A. Operating Current



B. EN Input Voltage, Output Rise / Fall Time



C. ON-Resistance, Over-Current Detection



D. /OC Output Low Voltage

Figure 1. Measurement Circuit

Timing Diagram

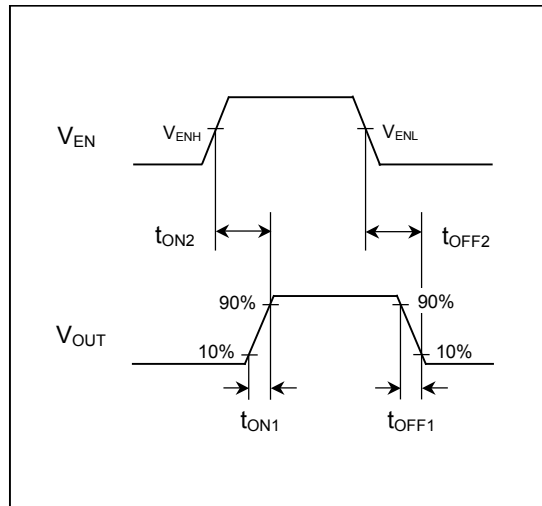


Figure 2. Timing Chart at Output Rise / Fall Time

Typical Performance Curves

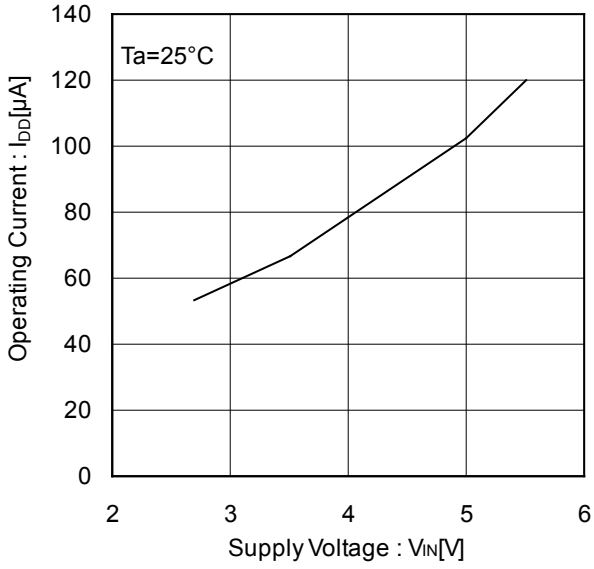


Figure 3. Operating Current vs Supply Voltage (EN Enable)

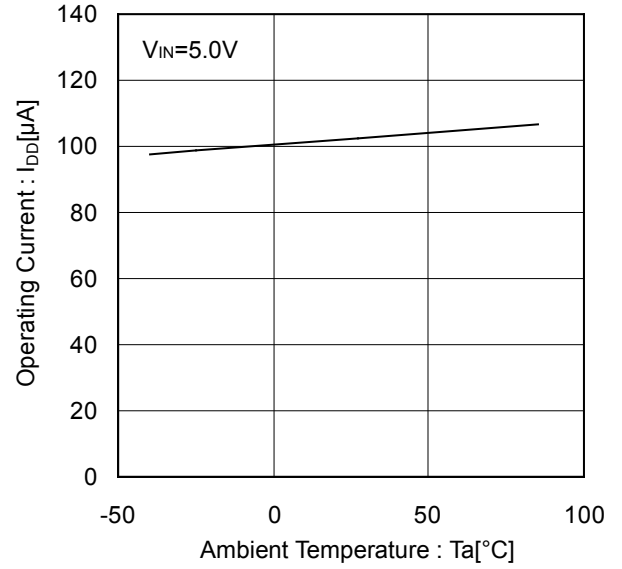


Figure 4. Operating Current vs Ambient Temperature (EN Enable)

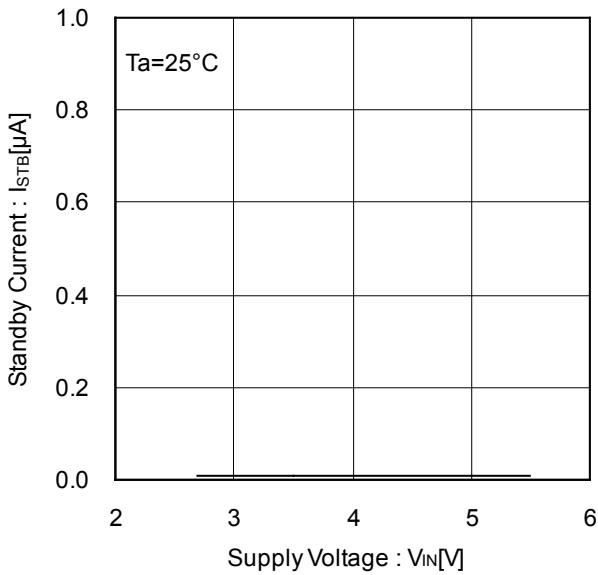


Figure 5. Standby Current vs Supply Voltage (EN Disable)

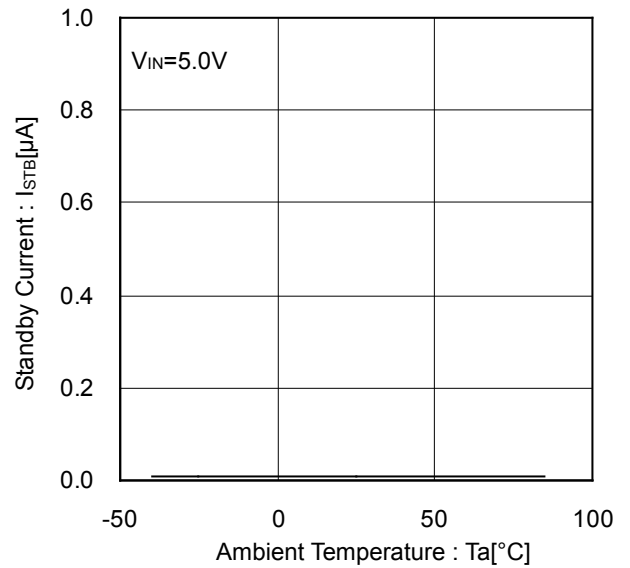


Figure 6. Standby Current vs Ambient Temperature (EN Disable)

Typical Performance Curves - continued

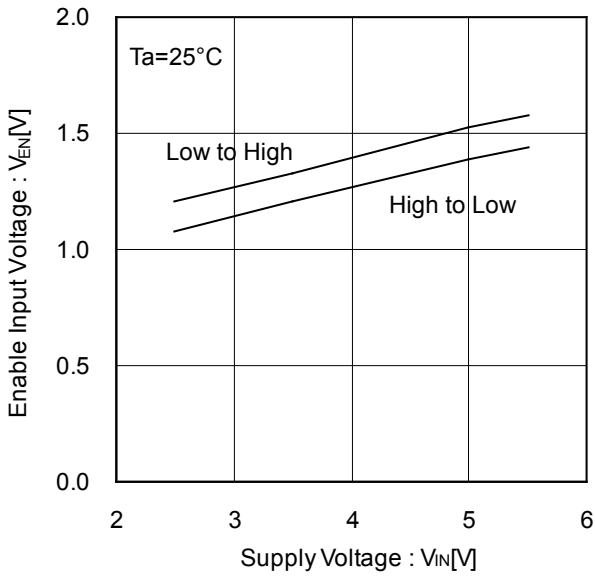


Figure 7. EN Input Voltage vs Supply Voltage

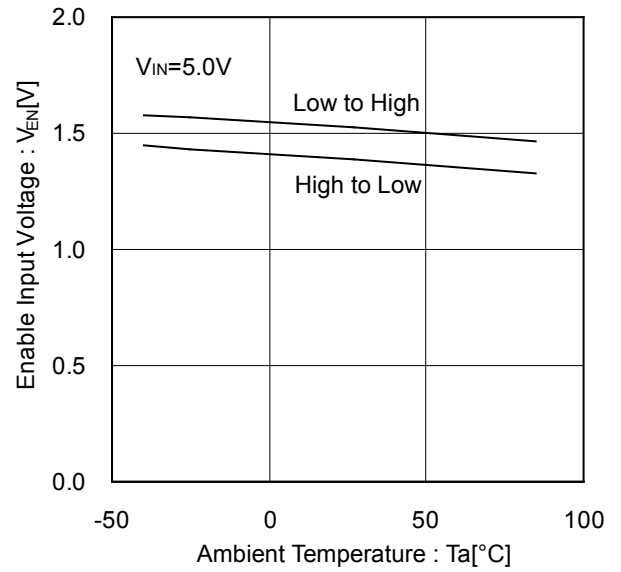


Figure 8. EN Input Voltage vs Ambient Temperature

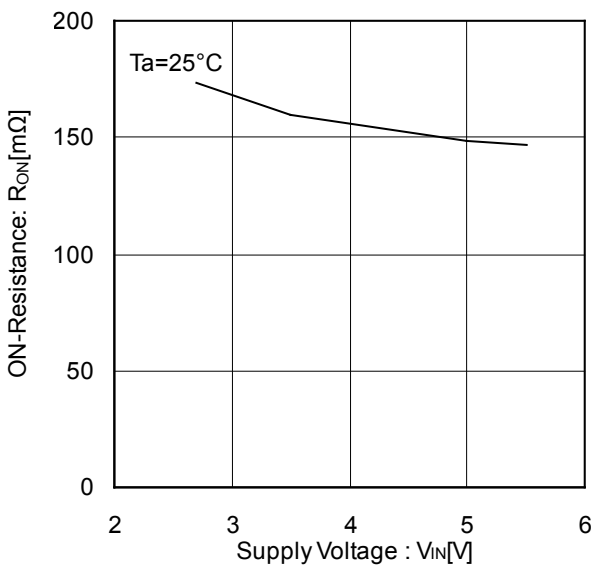


Figure 9. ON-Resistance vs Supply Voltage

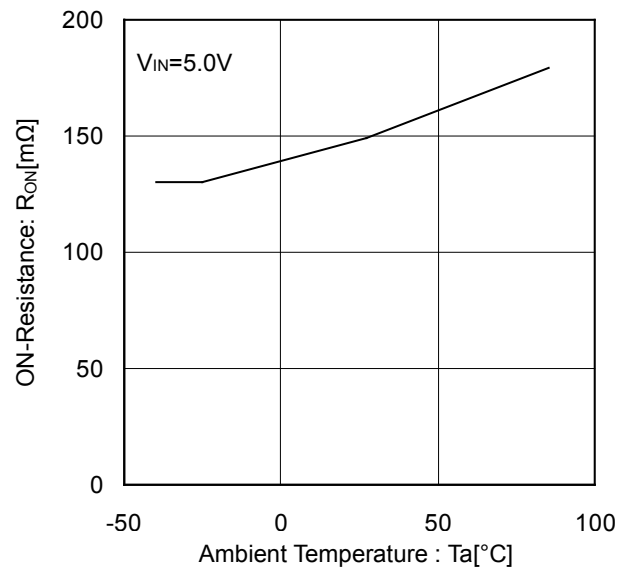


Figure 10. ON-Resistance vs Ambient Temperature

Typical Performance Curves - continued

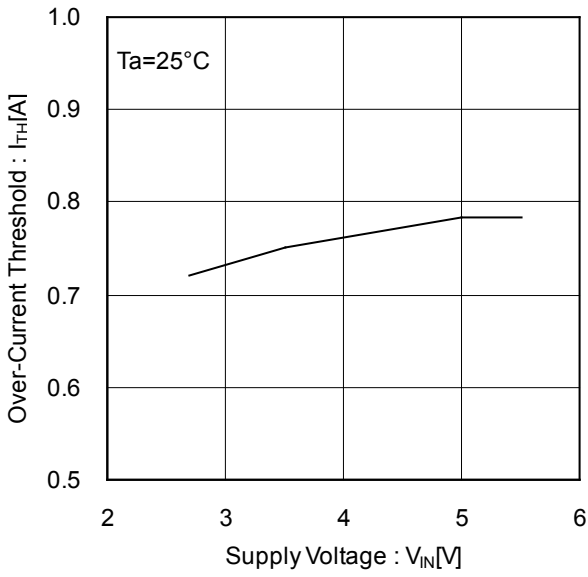


Figure 11. Over-Current Threshold vs Supply Voltage

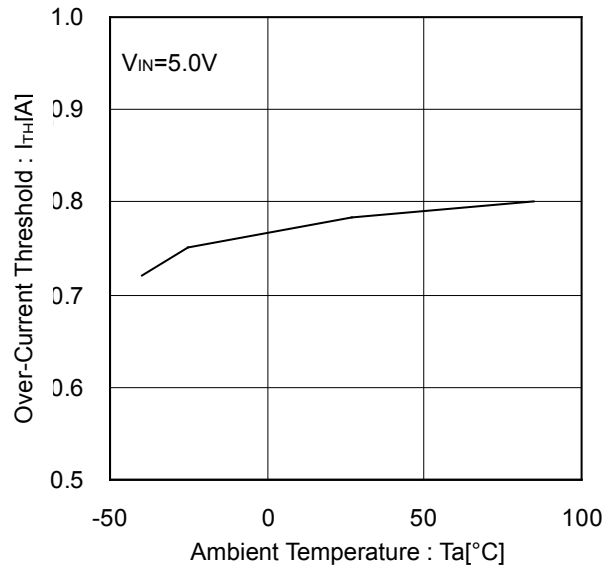


Figure 12. Over-Current Threshold vs Ambient Temperature

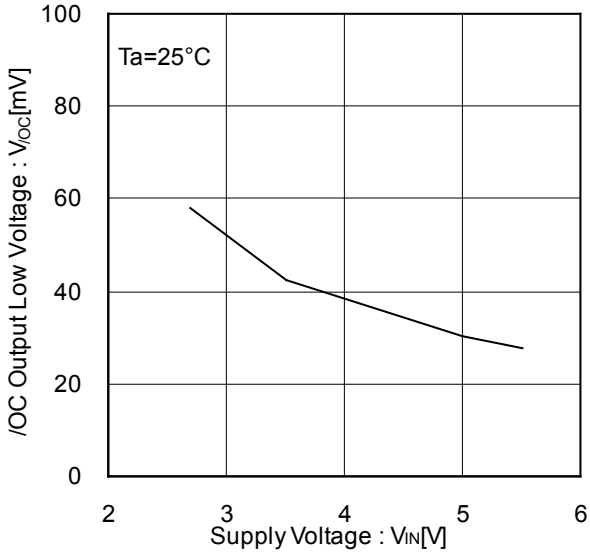


Figure 13. /OC Output Low Voltage vs Supply Voltage

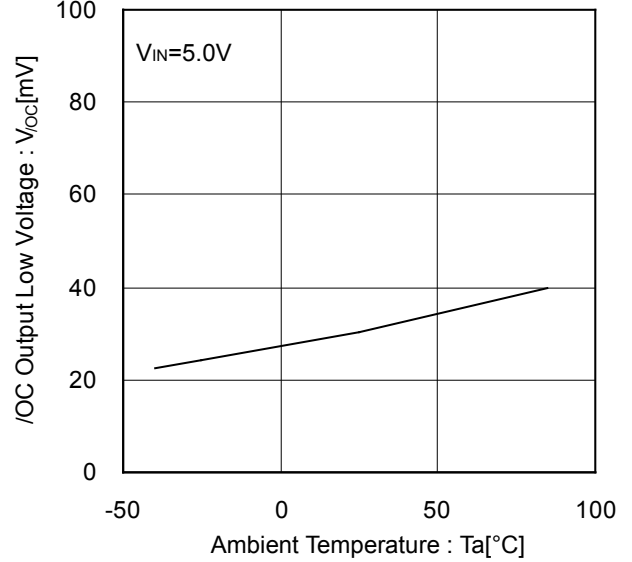


Figure 14. /OC Output Low Voltage vs Ambient Temperature

Typical Performance Curves - continued

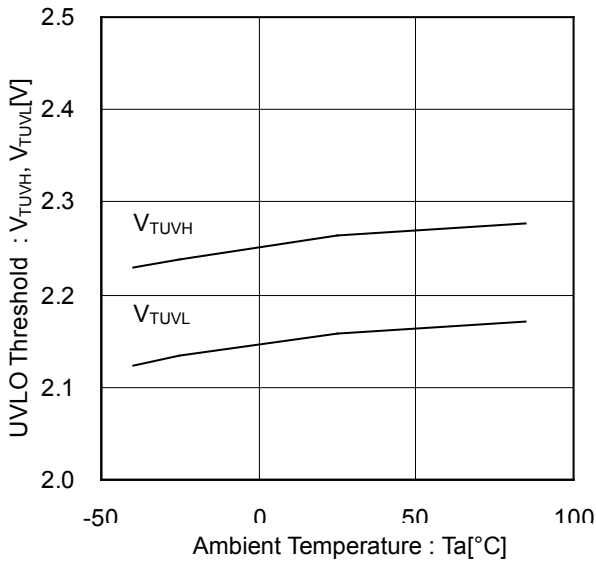


Figure 15. UVLO Threshold Voltage vs Ambient Temperature

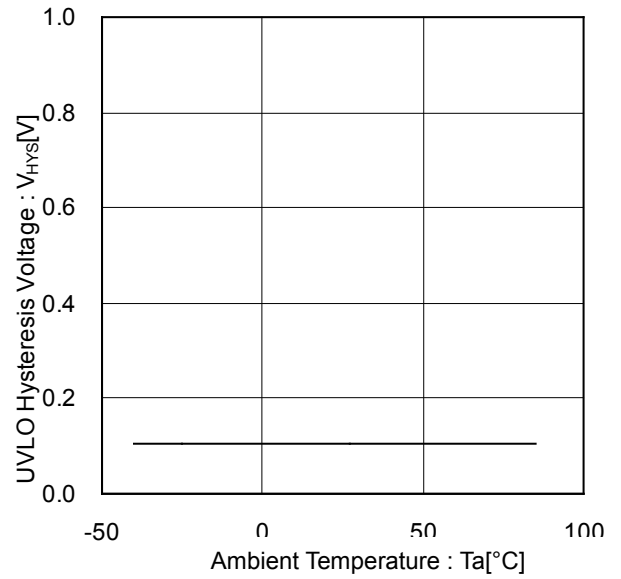


Figure 16. UVLO Hysteresis Voltage vs Ambient Temperature

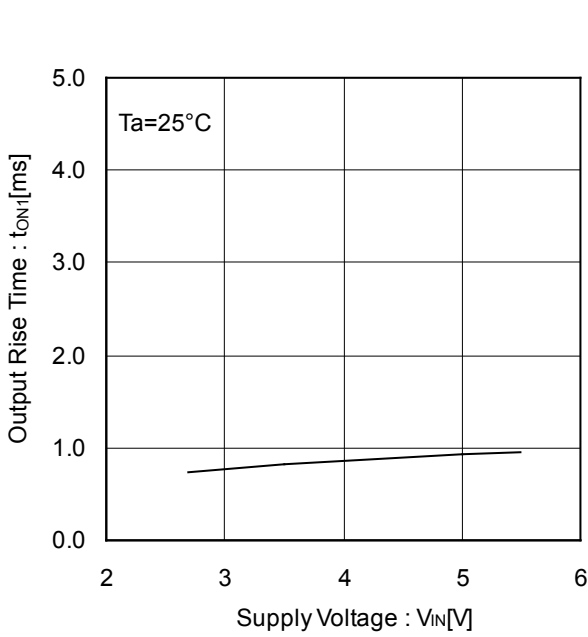


Figure 17. Output Rise Time vs Supply Voltage

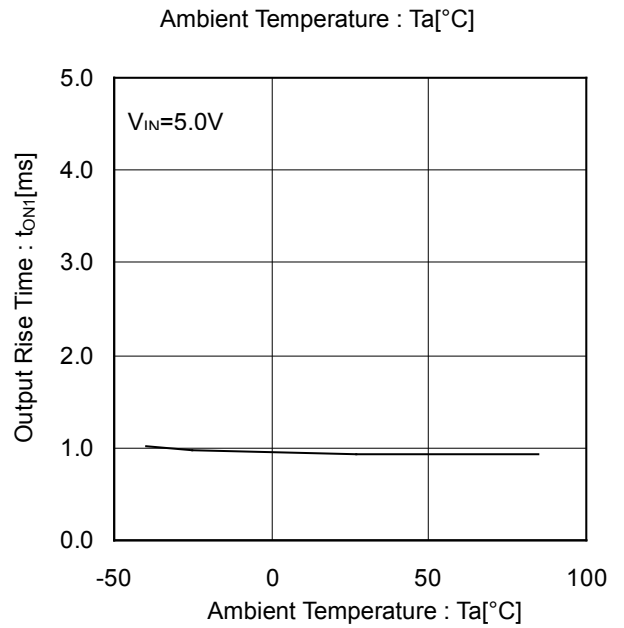


Figure 18. Output Rise Time vs Ambient Temperature

Typical Performance Curves - continued

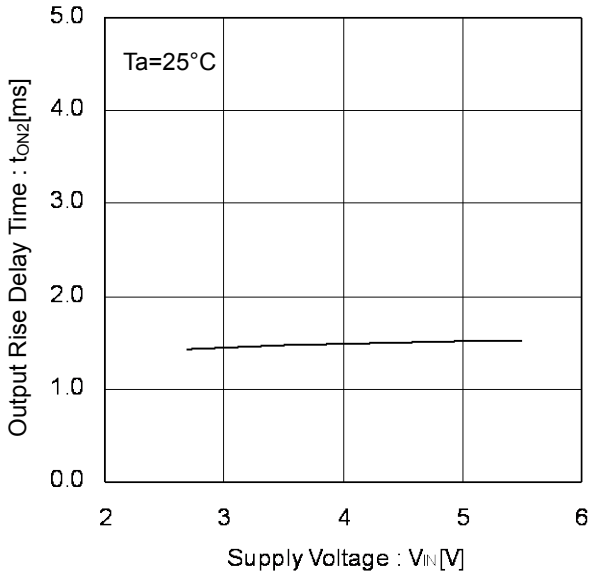


Figure 19. Output Rise Delay Time vs Supply Voltage

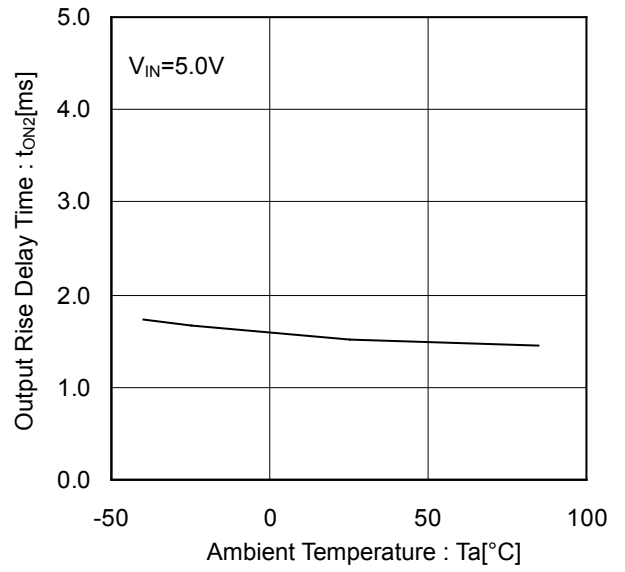


Figure 20. Output Rise Delay Time vs Ambient Temperature

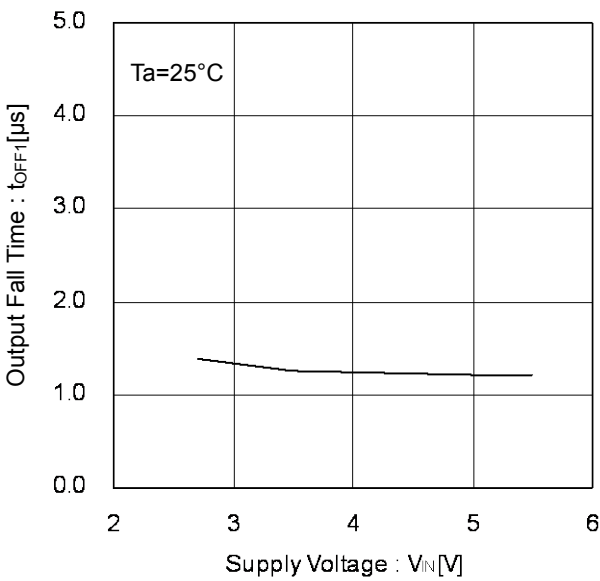


Figure 21. Output Fall Time vs Supply Voltage

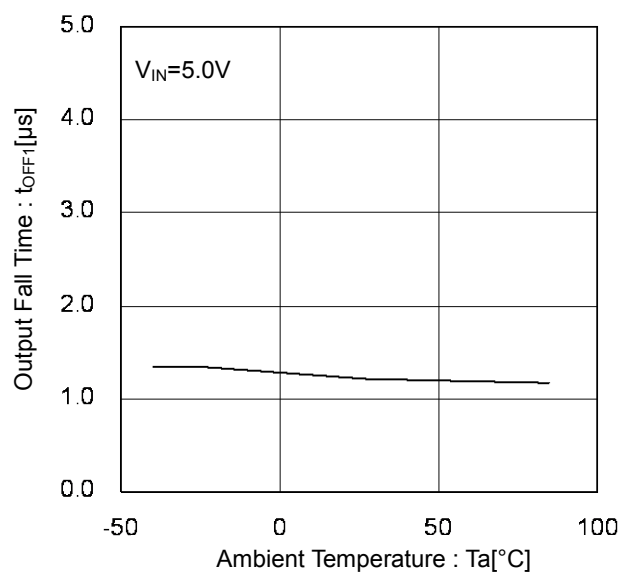


Figure 22. Output Fall Time vs Ambient Temperature

Typical Performance Curves - continued

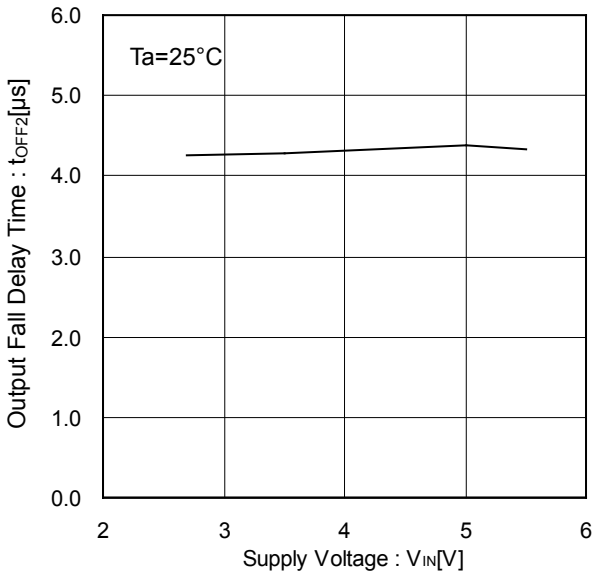


Figure 23. Output Fall Delay Time vs Supply Voltage

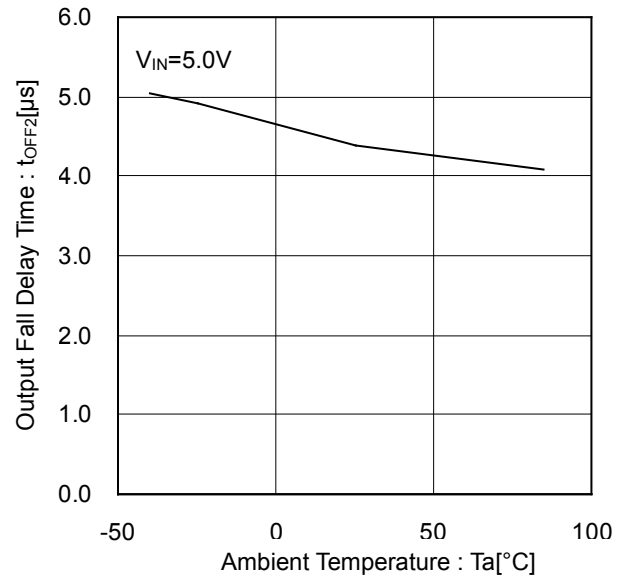


Figure 24. Output Fall Delay Time vs Ambient Temperature

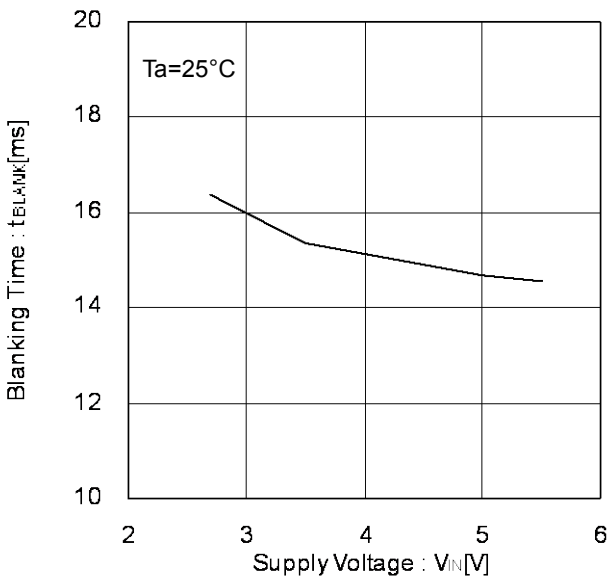


Figure 25. Blanking Time vs Supply Voltage

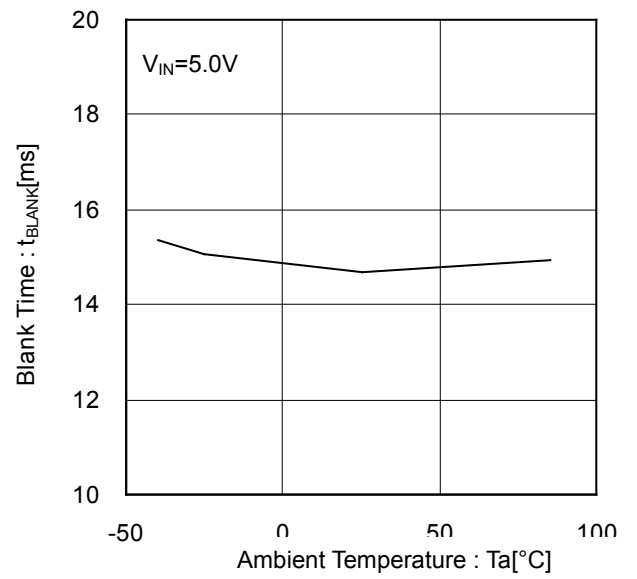


Figure 26. Blank Time vs Ambient Temperature

Typical Wave Forms

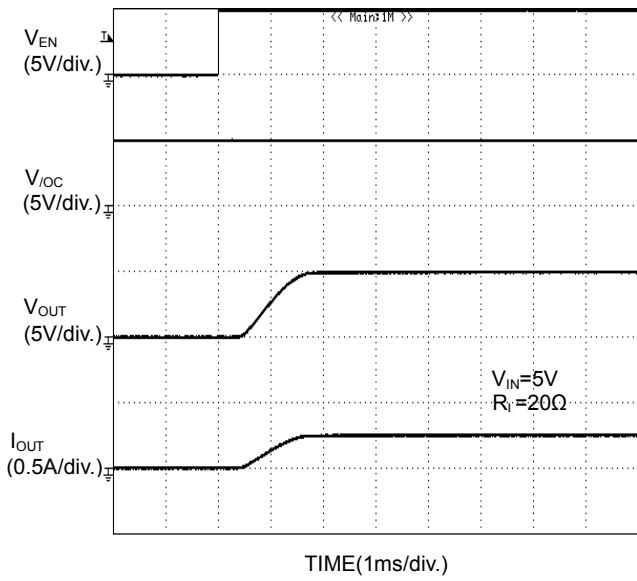


Figure 27. Output Rise Characteristic

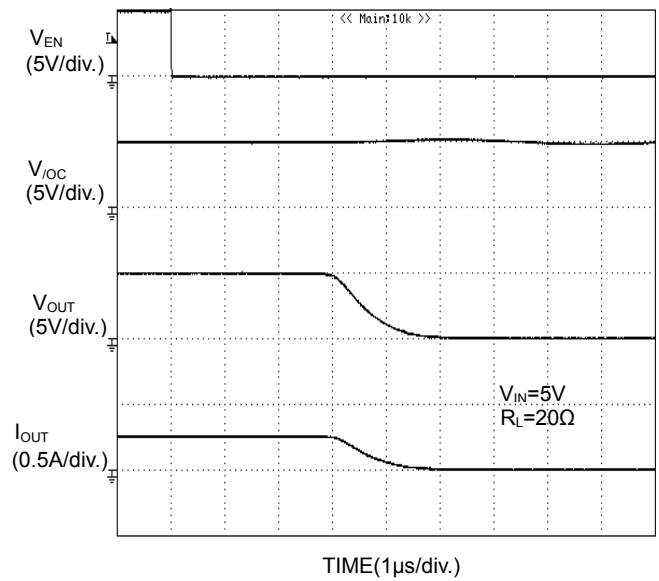


Figure 28. Output Fall Characteristic

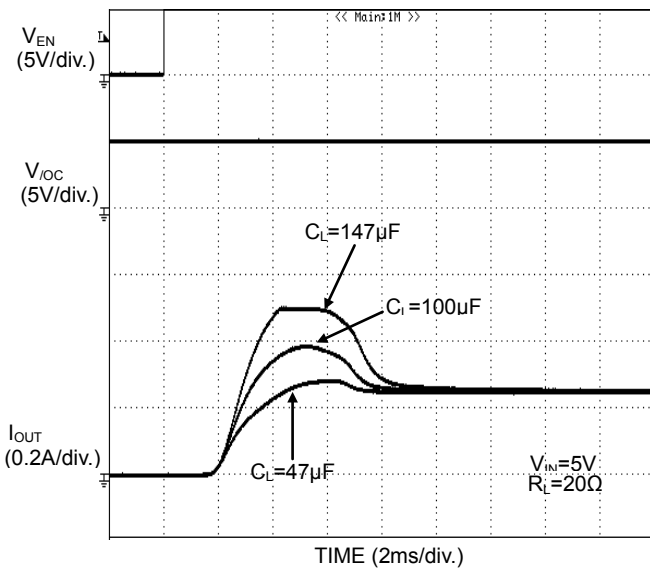


Figure 29. Inrush current response

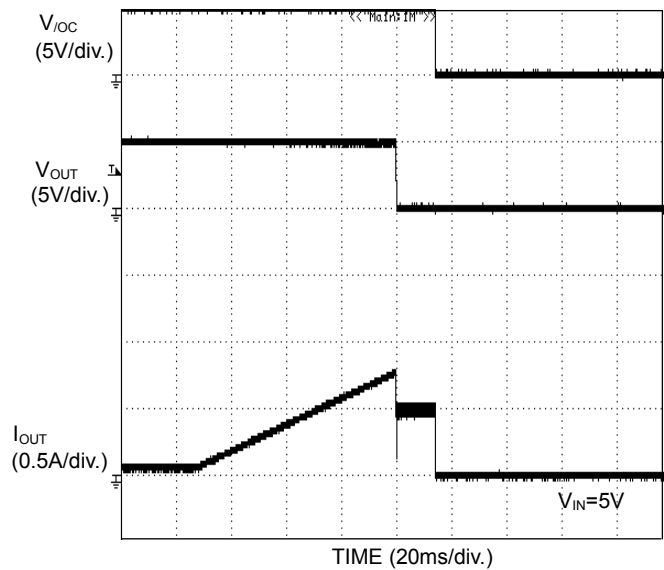


Figure 30. Over current response Ramped load

Typical Wave Forms - continued

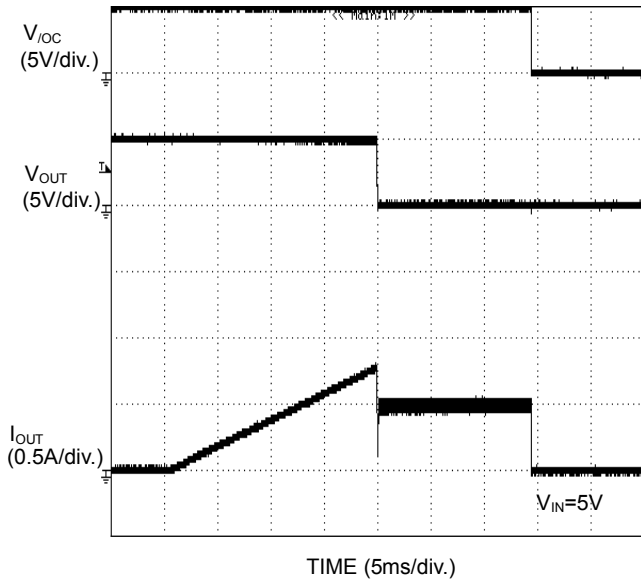


Figure 31. Over-Current Response Ramped Load

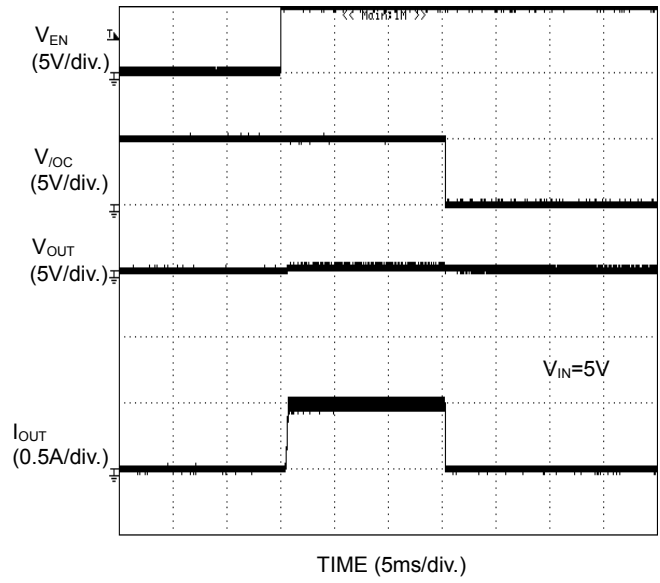


Figure 32. Over-Current Response Enable to Short Circuit

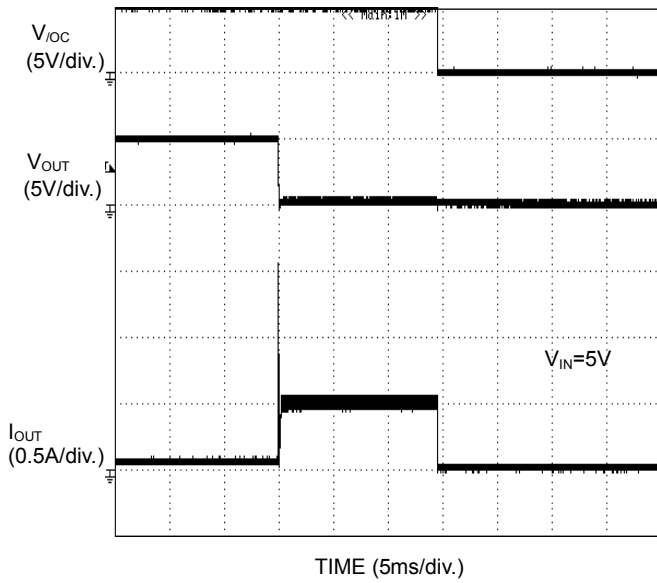


Figure 33. Over-Current Response Output Short Circuit at Enable

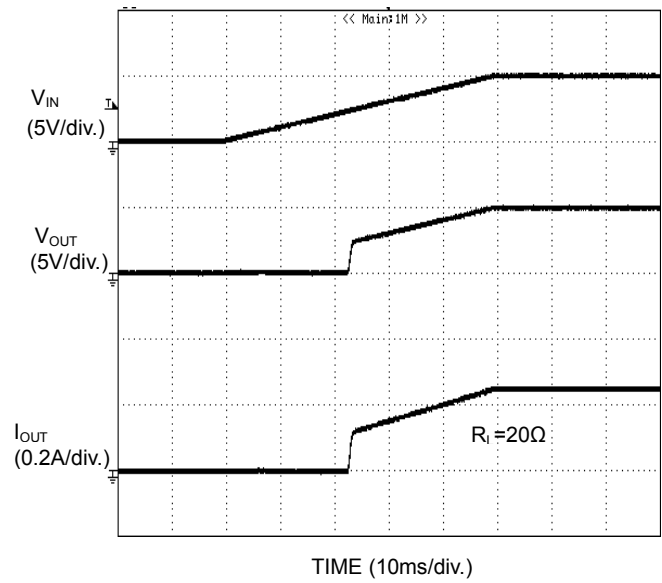


Figure 34. UVLO Response V_{IN} Increasing

Typical Wave Forms - continued

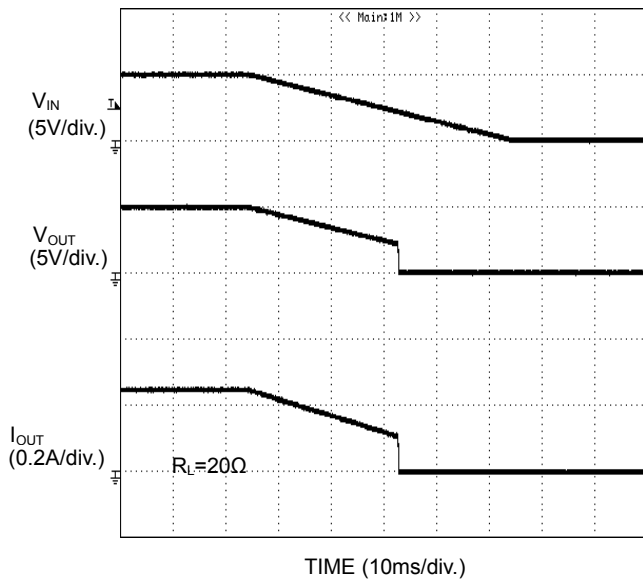
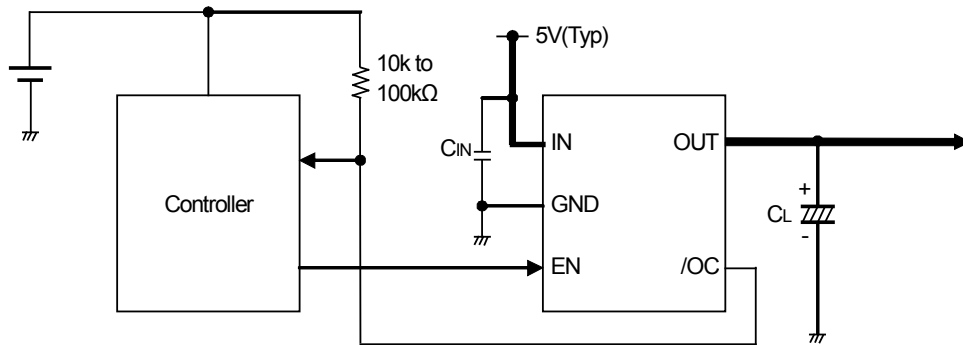


Figure 35. UVLO response
 V_{IN} Decreasing

Typical Application Circuit



Application Information

When excessive current flows due to output short circuit or so, ringing occurs by inductance of power source line and IC. This may cause bad effects on IC operations. In order to avoid this case, a bypass capacitor (C_{IN}) should be connected across the IN terminal and GND terminal of IC. A $1\mu\text{F}$ capacitor or higher value is recommended. Moreover, in order to decrease voltage fluctuations of power source line and IC, connect a low ESR capacitor in parallel with C_{IN} . A $10\mu\text{F}$ to $100\mu\text{F}$ capacitor or higher value is effective.

Use a $10\text{k}\Omega$ to $100\text{k}\Omega$ Pull up resistor to /OC.

Set up values for C_L which satisfies the application.

This application circuit does not guarantee its operation. When using the circuit with changes to the external circuit constants, make sure to leave an adequate margin for external components including AC/DC characteristics as well as dispersion of the IC.

Functional Description

1. Over-Current Detection (OCD)

The over-current detection circuit limits current flowing in the MOSFET switch when it exceeds its limit threshold.

The timer is reset when the state of the over-current is terminated before passing of T_{BLANK} . After a state of over-current is passed during dead time, the switch is shut down and the over-current signal (/OC) changes to Low level.

The latch is reset when EN input is Low or when UVLO is detected. Normal operation is returned by EN signal set to High or UVLO is off. (Figure 36, Figure 37).

The over-current detection circuit works when the switch is on (EN signal is active). There are three types of response against over-current:

- (1) When the switch is turned on while the output is in short circuit status, the switch goes into current limit status immediately.
- (2) When the output short circuits or high-current load is connected while the switch is on, very large current flows until the over-current limit circuit reacts. When the current detection and limit circuit works, current limitation is carried out.
- (3) When the output current increases gradually, current limitation does not work until the output current exceeds the over-current detection value. When it exceeds the detection value, current limitation is carried out.

2. Thermal Shutdown Circuit (TSD)

Thermal shutdown circuit turns off the switch and the IC outputs an error flag (/OC) when the junction temperature exceeds 170°C (Typ). Therefore, when the junction temperature goes lower than 150°C (Typ), the switch turns ON and error flag (/OC) is cancelled. This operation is repeated until the cause of junction temperature increase is removed or EN signal is turned OFF.

The thermal shutdown circuit is in operation when the power switch is ON (when EN signal is active).

3. Under Voltage Lockout (UVLO)

UVLO keeps the power switch off until V_{IN} voltage exceeds 2.3V (Typ). On the other hand, if the power switch is ON and V_{IN} voltage drops to 2.2V (Typ), the power switch turns OFF. UVLO has hysteresis of a 100mV (Typ).

Under-voltage lockout circuit works when the switch is on (EN signal is active).

4. Error Flag (/OC) Output

Error flag output is an N-MOS open drain output. When over-current and thermal shutdown is detected, output becomes low.

Over-current detection has delay filter. This delay filter prevents over-current detection flags from being sent during instantaneous events such as inrush current at switch on or during hot plug.

Over-Current Shutdown Operating

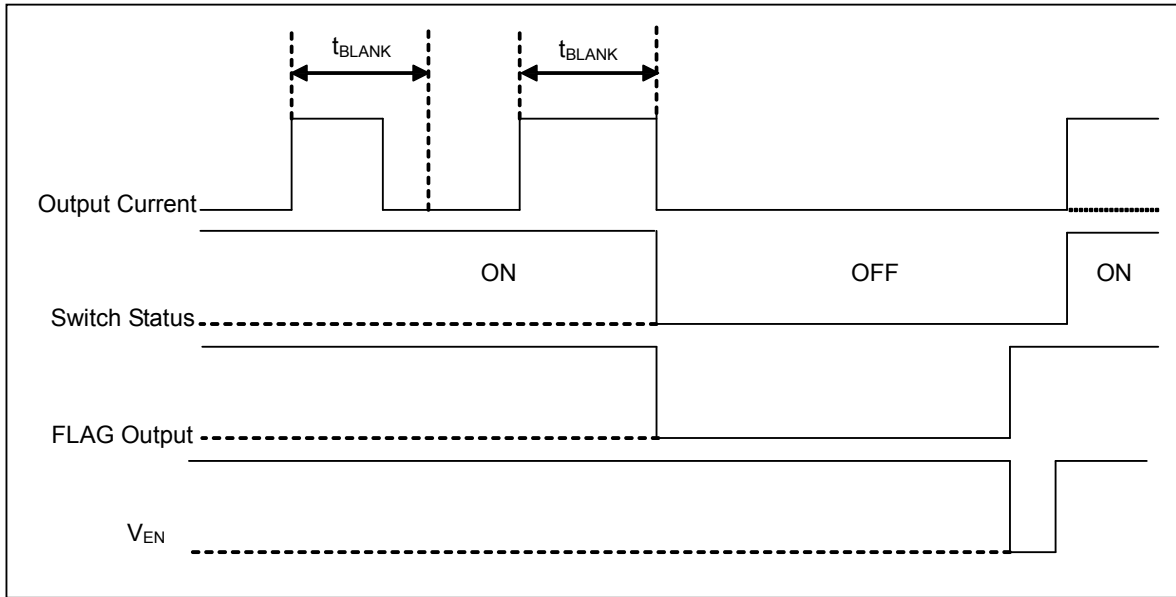


Figure 36. Over-Current Shutdown Operation (Reset at toggle of EN)

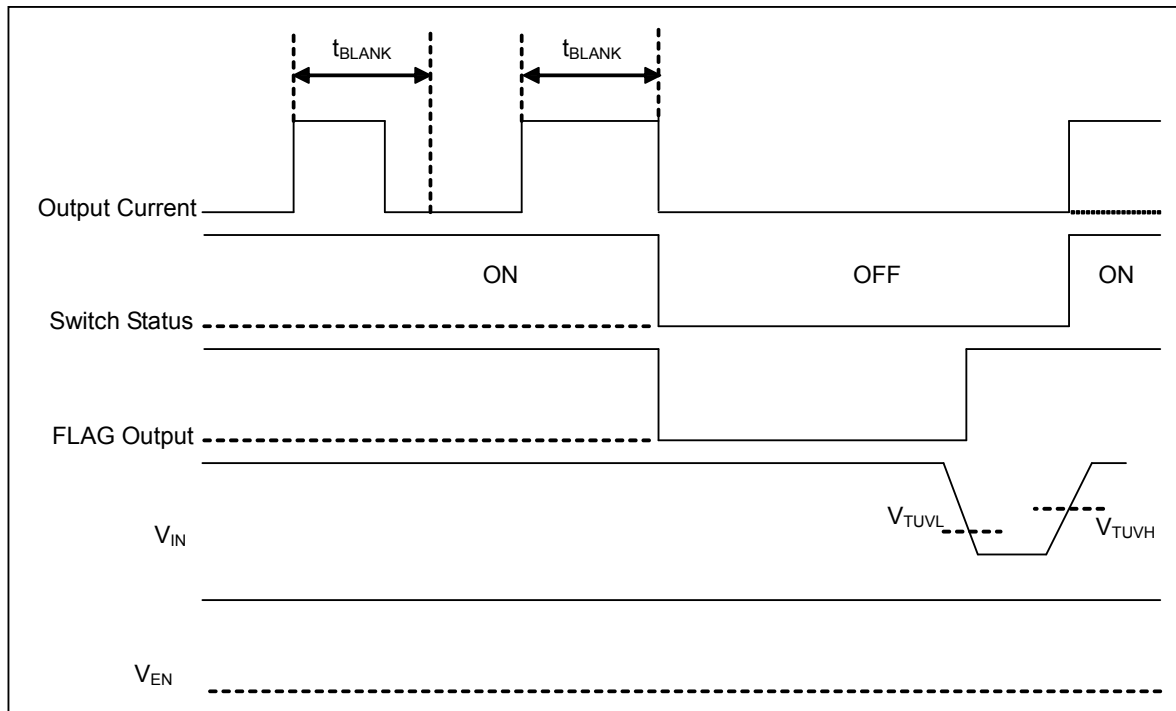
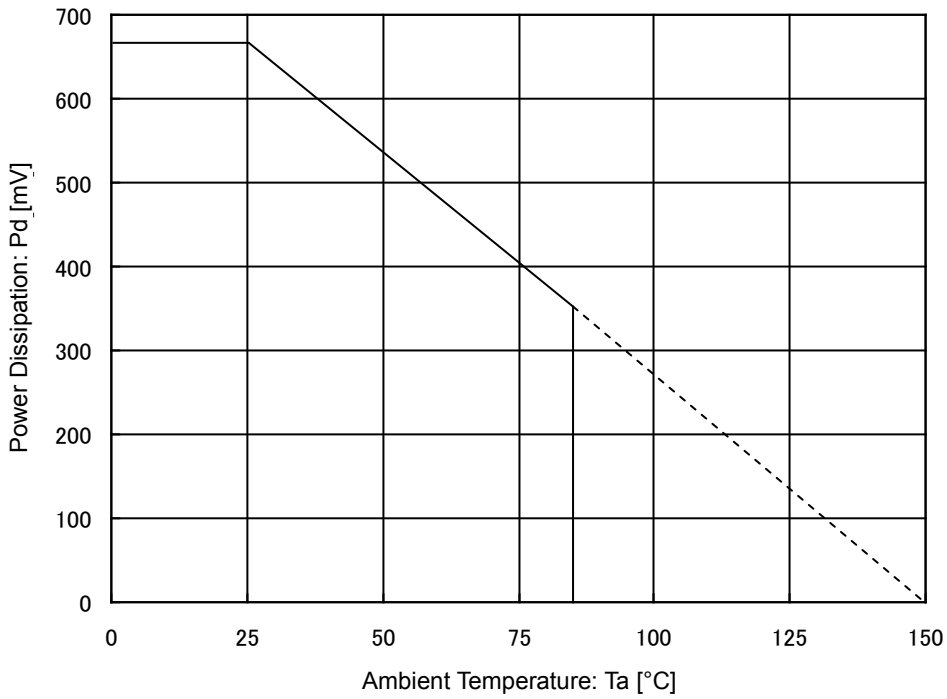


Figure 37. Over-Current Shutdown Operation (Reset at reclosing of power supply V_{IN})

Power Dissipation
(SSOP5 package)



70mm x 70mm x 1.6mm Glass Epoxy Board Mounting

Figure 38. Power Dissipation Curve (Pd-Ta Curve)

I/O Equivalence Circuit

Symbol	Pin No.	Equivalence Circuit
EN	3	
OUT	5	
/OC	4	

Operational Notes

1. Reverse Connection of Power Supply

Connecting the power supply in reverse polarity can damage the IC. Take precautions against reverse polarity when connecting the power supply, such as mounting an external diode between the power supply and the IC's power supply pins.

2. Power Supply Lines

Design the PCB layout pattern to provide low impedance supply lines. Separate the ground and supply lines of the digital and analog blocks to prevent noise in the ground and supply lines of the digital block from affecting the analog block. Furthermore, connect a capacitor to ground at all power supply pins. Consider the effect of temperature and aging on the capacitance value when using electrolytic capacitors.

3. Ground Voltage

Ensure that no pins are at a voltage below that of the ground pin at any time, even during transient condition.

4. Ground Wiring Pattern

When using both small-signal and large-current ground traces, the two ground traces should be routed separately but connected to a single ground at the reference point of the application board to avoid fluctuations in the small-signal ground caused by large currents. Also ensure that the ground traces of external components do not cause variations on the ground voltage. The ground lines must be as short and thick as possible to reduce line impedance.

5. Thermal Consideration

Should by any chance the power dissipation rating be exceeded the rise in temperature of the chip may result in deterioration of the properties of the chip. The absolute maximum rating of the Pd stated in this specification is when the IC is mounted on a 70mm x 70mm x 1.6mm glass epoxy board. In case of exceeding this absolute maximum rating, increase the board size and copper area to prevent exceeding the Pd rating.

6. Recommended Operating Conditions

These conditions represent a range within which the expected characteristics of the IC can be approximately obtained. The electrical characteristics are guaranteed under the conditions of each parameter.

7. Inrush Current

When power is first supplied to the IC, it is possible that the internal logic may be unstable and inrush current may flow instantaneously due to the internal powering sequence and delays, especially if the IC has more than one power supply. Therefore, give special consideration to power coupling capacitance, power wiring, width of ground wiring, and routing of connections.

8. Operation Under Strong Electromagnetic Field

Operating the IC in the presence of a strong electromagnetic field may cause the IC to malfunction.

9. Testing on Application Boards

When testing the IC on an application board, connecting a capacitor directly to a low-impedance output pin may subject the IC to stress. Always discharge capacitors completely after each process or step. The IC's power supply should always be turned off completely before connecting or removing it from the test setup during the inspection process. To prevent damage from static discharge, ground the IC during assembly and use similar precautions during transport and storage.

10. Inter-pin Short and Mounting Errors

Ensure that the direction and position are correct when mounting the IC on the PCB. Incorrect mounting may result in damaging the IC. Avoid nearby pins being shorted to each other especially to ground, power supply and output pin. Inter-pin shorts could be due to many reasons such as metal particles, water droplets (in very humid environment) and unintentional solder bridge deposited in between pins during assembly to name a few.

Operational Notes - continued

11. Unused Input Pins

Input pins of an IC are often connected to the gate of a MOS transistor. The gate has extremely high impedance and extremely low capacitance. If left unconnected, the electric field from the outside can easily charge it. The small charge acquired in this way is enough to produce a significant effect on the conduction through the transistor and cause unexpected operation of the IC. So unless otherwise specified, unused input pins should be connected to the power supply or ground line.

12. Regarding the Input Pin of the IC

This monolithic IC contains P+ isolation and P substrate layers between adjacent elements in order to keep them isolated. P-N junctions are formed at the intersection of the P layers with the N layers of other elements, creating a parasitic diode or transistor. For example (refer to figure below):

When $GND > Pin A$ and $GND > Pin B$, the P-N junction operates as a parasitic diode.

When $GND > Pin B$, the P-N junction operates as a parasitic transistor.

Parasitic diodes inevitably occur in the structure of the IC. The operation of parasitic diodes can result in mutual interference among circuits, operational faults, or physical damage. Therefore, conditions that cause these diodes to operate, such as applying a voltage lower than the GND voltage to an input pin (and thus to the P substrate) should be avoided.

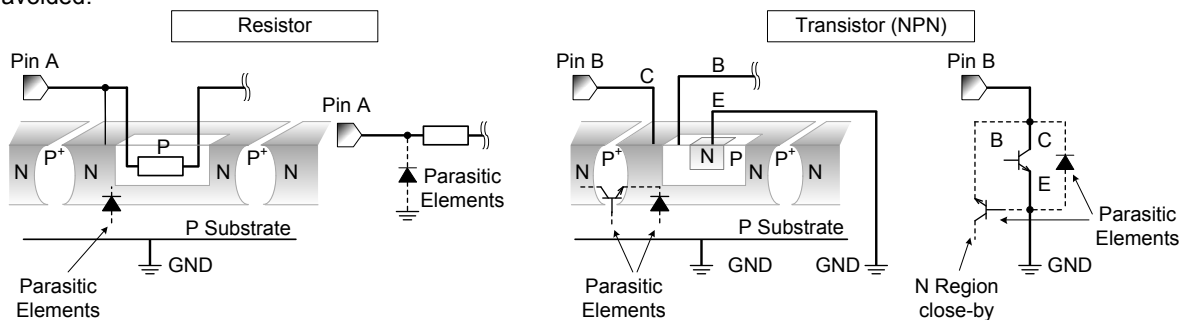


Figure 39. Example of monolithic IC structure

13. Ceramic Capacitor

When using a ceramic capacitor, determine the dielectric constant considering the change of capacitance with temperature and the decrease in nominal capacitance due to DC bias and others.

14. Thermal Shutdown Circuit(TSD)

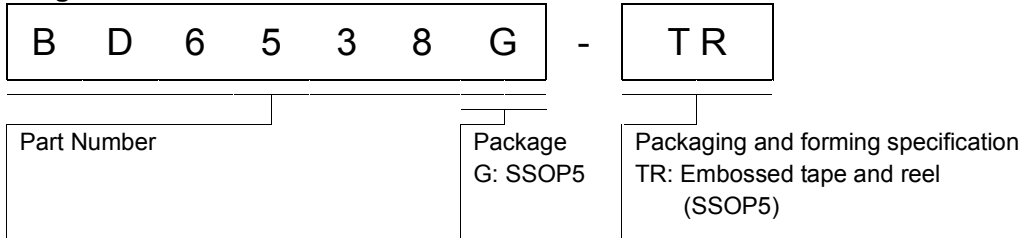
This IC has a built-in thermal shutdown circuit that prevents heat damage to the IC. Normal operation should always be within the IC's power dissipation rating. If however the rating is exceeded for a continued period, the junction temperature (T_j) will rise which will activate the TSD circuit that will turn OFF all output pins. When the T_j falls below the TSD threshold, the circuits are automatically restored to normal operation.

Note that the TSD circuit operates in a situation that exceeds the absolute maximum ratings and therefore, under no circumstances, should the TSD circuit be used in a set design or for any purpose other than protecting the IC from heat damage.

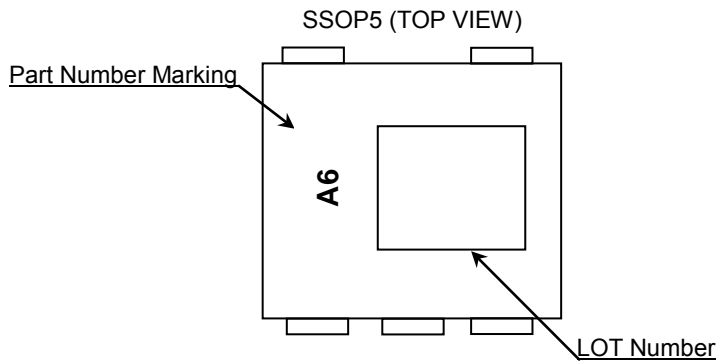
15. Thermal design

Perform thermal design in which there are adequate margins by taking into account the power dissipation (P_d) in actual states of use.

Ordering Information

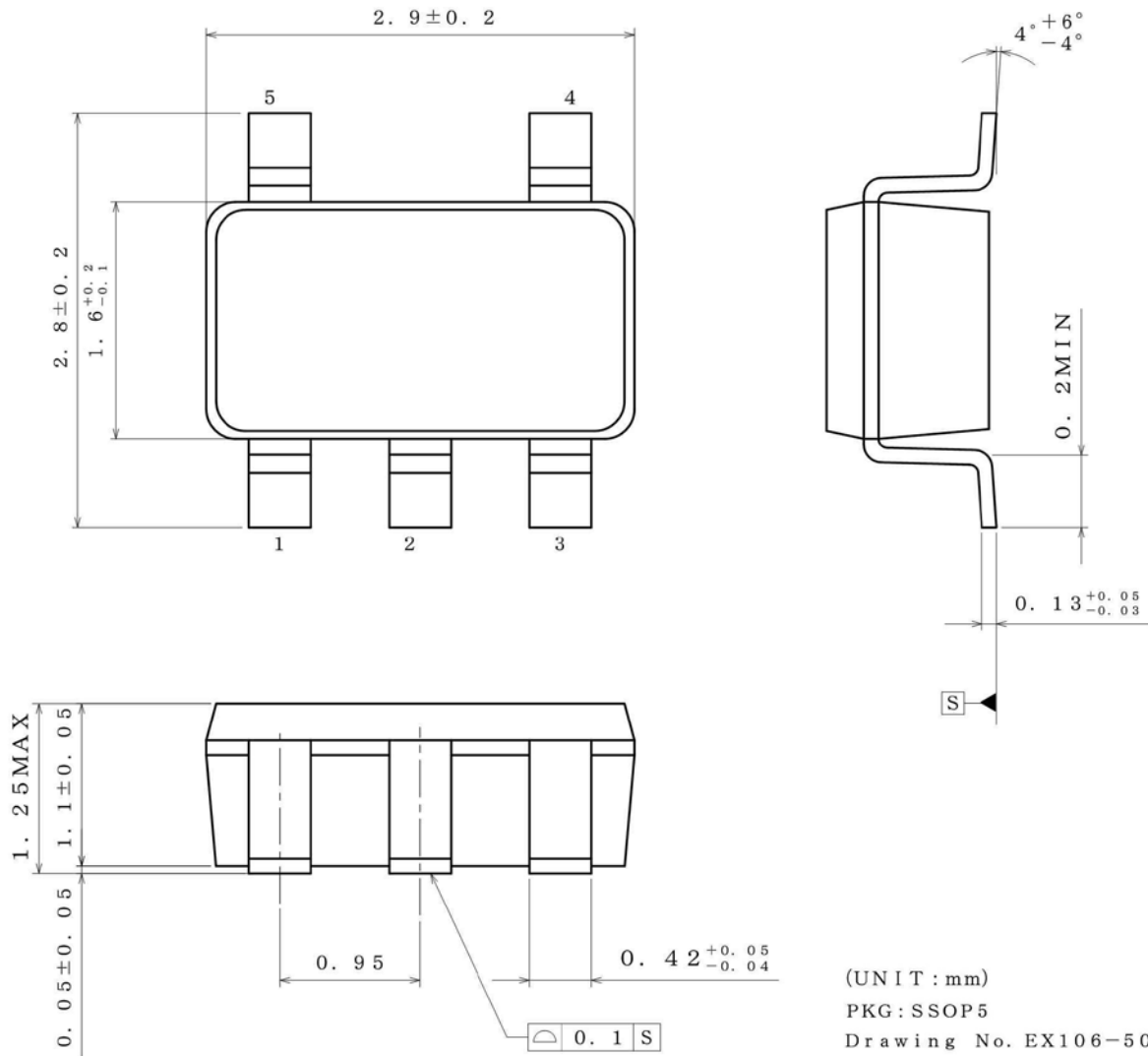


Marking Diagram



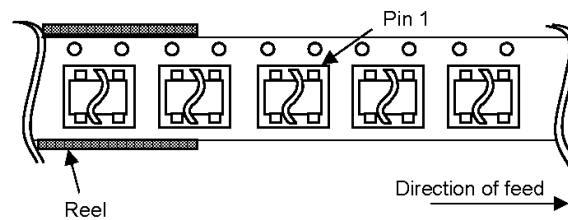
Physical Dimension, Tape and Reel Information

Package Name	SSOP5
--------------	-------



< Tape and Reel Information >

Tape	Embossed carrier tape
Quantity	3000pcs
Direction of feed	TR (The direction is the 1pin of product is at the upper right when you hold reel on the left hand and you pull out the tape on the right hand)



Revision History

Date	Revision	Changes
08.Mar.2013	001	New Release
21.Aug.2014	002	Applied the ROHM Standard Style and improved understandability. Add applications. Revised I/O Equivalence Circuit of EN PIN.

Notice

Precaution on using ROHM Products

- Our Products are designed and manufactured for application in ordinary electronic equipments (such as AV equipment, OA equipment, telecommunication equipment, home electronic appliances, amusement equipment, etc.). If you intend to use our Products in devices requiring extremely high reliability (such as medical equipment ^(Note 1), transport equipment, traffic equipment, aircraft/spacecraft, nuclear power controllers, fuel controllers, car equipment including car accessories, safety devices, etc.) and whose malfunction or failure may cause loss of human life, bodily injury or serious damage to property ("Specific Applications"), please consult with the ROHM sales representative in advance. Unless otherwise agreed in writing by ROHM in advance, ROHM shall not be in any way responsible or liable for any damages, expenses or losses incurred by you or third parties arising from the use of any ROHM's Products for Specific Applications.

(Note1) Medical Equipment Classification of the Specific Applications

JAPAN	USA	EU	CHINA
CLASS III	CLASS III	CLASS II b	CLASS III
CLASS IV		CLASS III	

- ROHM designs and manufactures its Products subject to strict quality control system. However, semiconductor products can fail or malfunction at a certain rate. Please be sure to implement, at your own responsibilities, adequate safety measures including but not limited to fail-safe design against the physical injury, damage to any property, which a failure or malfunction of our Products may cause. The following are examples of safety measures:
 - Installation of protection circuits or other protective devices to improve system safety
 - Installation of redundant circuits to reduce the impact of single or multiple circuit failure
- Our Products are designed and manufactured for use under standard conditions and not under any special or extraordinary environments or conditions, as exemplified below. Accordingly, ROHM shall not be in any way responsible or liable for any damages, expenses or losses arising from the use of any ROHM's Products under any special or extraordinary environments or conditions. If you intend to use our Products under any special or extraordinary environments or conditions (as exemplified below), your independent verification and confirmation of product performance, reliability, etc. prior to use, must be necessary:
 - Use of our Products in any types of liquid, including water, oils, chemicals, and organic solvents
 - Use of our Products outdoors or in places where the Products are exposed to direct sunlight or dust
 - Use of our Products in places where the Products are exposed to sea wind or corrosive gases, including Cl₂, H₂S, NH₃, SO₂, and NO₂
 - Use of our Products in places where the Products are exposed to static electricity or electromagnetic waves
 - Use of our Products in proximity to heat-producing components, plastic cords, or other flammable items
 - Sealing or coating our Products with resin or other coating materials
 - Use of our Products without cleaning residue of flux (even if you use no-clean type fluxes, cleaning residue of flux is recommended); or Washing our Products by using water or water-soluble cleaning agents for cleaning residue after soldering
 - Use of the Products in places subject to dew condensation
- The Products are not subject to radiation-proof design.
- Please verify and confirm characteristics of the final or mounted products in using the Products.
- In particular, if a transient load (a large amount of load applied in a short period of time, such as pulse. is applied, confirmation of performance characteristics after on-board mounting is strongly recommended. Avoid applying power exceeding normal rated power; exceeding the power rating under steady-state loading condition may negatively affect product performance and reliability.
- De-rate Power Dissipation (Pd) depending on Ambient temperature (Ta). When used in sealed area, confirm the actual ambient temperature.
- Confirm that operation temperature is within the specified range described in the product specification.
- ROHM shall not be in any way responsible or liable for failure induced under deviant condition from what is defined in this document.

Precaution for Mounting / Circuit board design

- When a highly active halogenous (chlorine, bromine, etc.) flux is used, the residue of flux may negatively affect product performance and reliability.
- In principle, the reflow soldering method must be used; if flow soldering method is preferred, please consult with the ROHM representative in advance.

For details, please refer to ROHM Mounting specification

Precautions Regarding Application Examples and External Circuits

1. If change is made to the constant of an external circuit, please allow a sufficient margin considering variations of the characteristics of the Products and external components, including transient characteristics, as well as static characteristics.
2. You agree that application notes, reference designs, and associated data and information contained in this document are presented only as guidance for Products use. Therefore, in case you use such information, you are solely responsible for it and you must exercise your own independent verification and judgment in the use of such information contained in this document. ROHM shall not be in any way responsible or liable for any damages, expenses or losses incurred by you or third parties arising from the use of such information.

Precaution for Electrostatic

This Product is electrostatic sensitive product, which may be damaged due to electrostatic discharge. Please take proper caution in your manufacturing process and storage so that voltage exceeding the Products maximum rating will not be applied to Products. Please take special care under dry condition (e.g. Grounding of human body / equipment / solder iron, isolation from charged objects, setting of ionizer, friction prevention and temperature / humidity control).

Precaution for Storage / Transportation

1. Product performance and soldered connections may deteriorate if the Products are stored in the places where:
 - [a] the Products are exposed to sea winds or corrosive gases, including Cl₂, H₂S, NH₃, SO₂, and NO₂
 - [b] the temperature or humidity exceeds those recommended by ROHM
 - [c] the Products are exposed to direct sunshine or condensation
 - [d] the Products are exposed to high Electrostatic
2. Even under ROHM recommended storage condition, solderability of products out of recommended storage time period may be degraded. It is strongly recommended to confirm solderability before using Products of which storage time is exceeding the recommended storage time period.
3. Store / transport cartons in the correct direction, which is indicated on a carton with a symbol. Otherwise bent leads may occur due to excessive stress applied when dropping of a carton.
4. Use Products within the specified time after opening a humidity barrier bag. Baking is required before using Products of which storage time is exceeding the recommended storage time period.

Precaution for Product Label

QR code printed on ROHM Products label is for ROHM's internal use only.

Precaution for Disposition

When disposing Products please dispose them properly using an authorized industry waste company.

Precaution for Foreign Exchange and Foreign Trade act

Since our Products might fall under controlled goods prescribed by the applicable foreign exchange and foreign trade act, please consult with ROHM representative in case of export.

Precaution Regarding Intellectual Property Rights

1. All information and data including but not limited to application example contained in this document is for reference only. ROHM does not warrant that foregoing information or data will not infringe any intellectual property rights or any other rights of any third party regarding such information or data. ROHM shall not be in any way responsible or liable for infringement of any intellectual property rights or other damages arising from use of such information or data.:
2. No license, expressly or implied, is granted hereby under any intellectual property rights or other rights of ROHM or any third parties with respect to the information contained in this document.

Other Precaution

1. This document may not be reprinted or reproduced, in whole or in part, without prior written consent of ROHM.
2. The Products may not be disassembled, converted, modified, reproduced or otherwise changed without prior written consent of ROHM.
3. In no event shall you use in any way whatsoever the Products and the related technical information contained in the Products or this document for any military purposes, including but not limited to, the development of mass-destruction weapons.
4. The proper names of companies or products described in this document are trademarks or registered trademarks of ROHM, its affiliated companies or third parties.

General Precaution

1. Before you use our Products, you are requested to carefully read this document and fully understand its contents. ROHM shall not be in any way responsible or liable for failure, malfunction or accident arising from the use of any ROHM's Products against warning, caution or note contained in this document.
2. All information contained in this document is current as of the issuing date and subject to change without any prior notice. Before purchasing or using ROHM's Products, please confirm the latest information with a ROHM sales representative.
3. The information contained in this document is provided on an "as is" basis and ROHM does not warrant that all information contained in this document is accurate and/or error-free. ROHM shall not be in any way responsible or liable for any damages, expenses or losses incurred by you or third parties resulting from inaccuracy or errors of or concerning such information.

Mouser Electronics

Authorized Distributor

Click to View Pricing, Inventory, Delivery & Lifecycle Information:

[ROHM Semiconductor:](#)

[BD6538G-TR](#)