

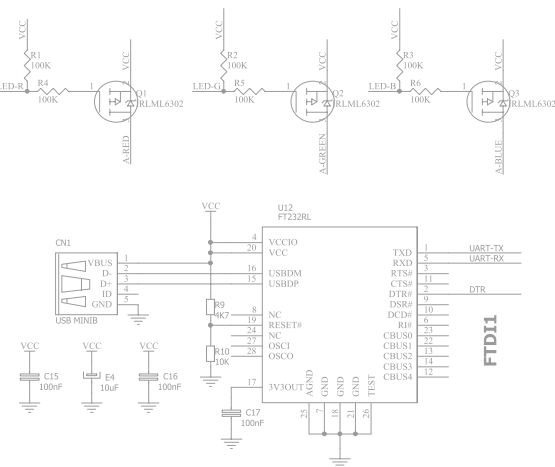
Backlight color on the Graphical LCD can be changed in Red, Green, Blue or combination of these three colors. To change backlight color it is necessary to specify in user program which color will be turned on: LED-R, LED-G or LED-B. You can make combination of these colors to make new one.

HW REV. 1.50

Copyright 2003-2011 by MikroElektronika. All rights reserved

MikroElektronika assumes no responsibility or liability for any errors or inaccuracies that may appear in the present document. Specification and information contained in the present schematic are subject to change at any time without notice.

schematic



SmartGLCD 240x128

Compact development tool with on-board peripherals for all-around graphical development on PIC18F8722

