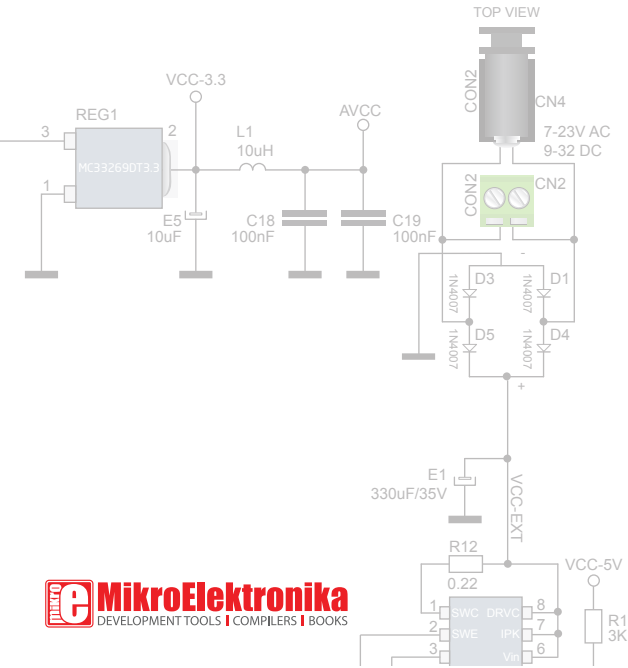


Schematic

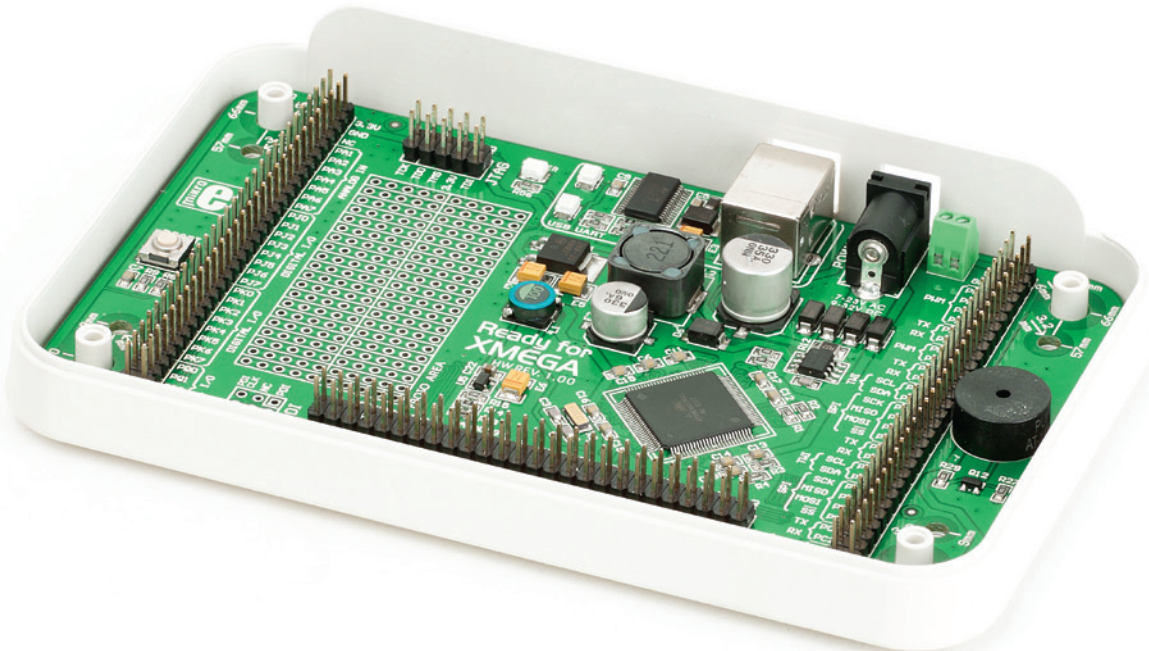


Ready

for XMEGA

box version

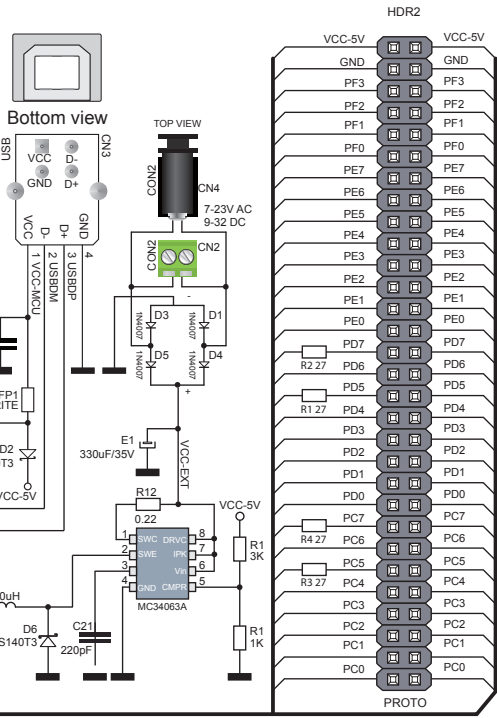
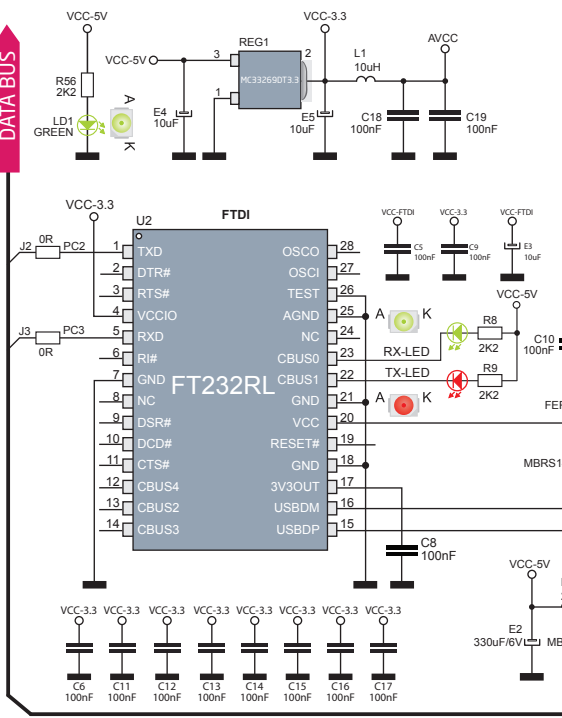
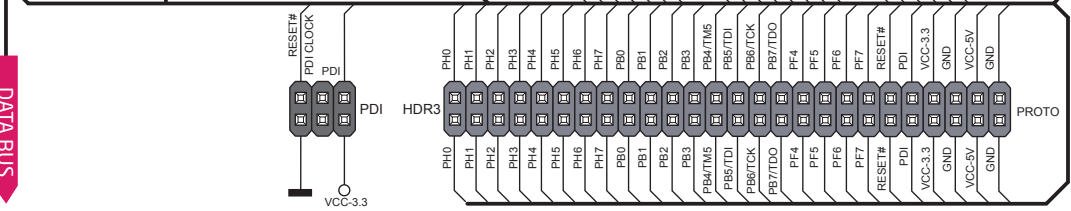
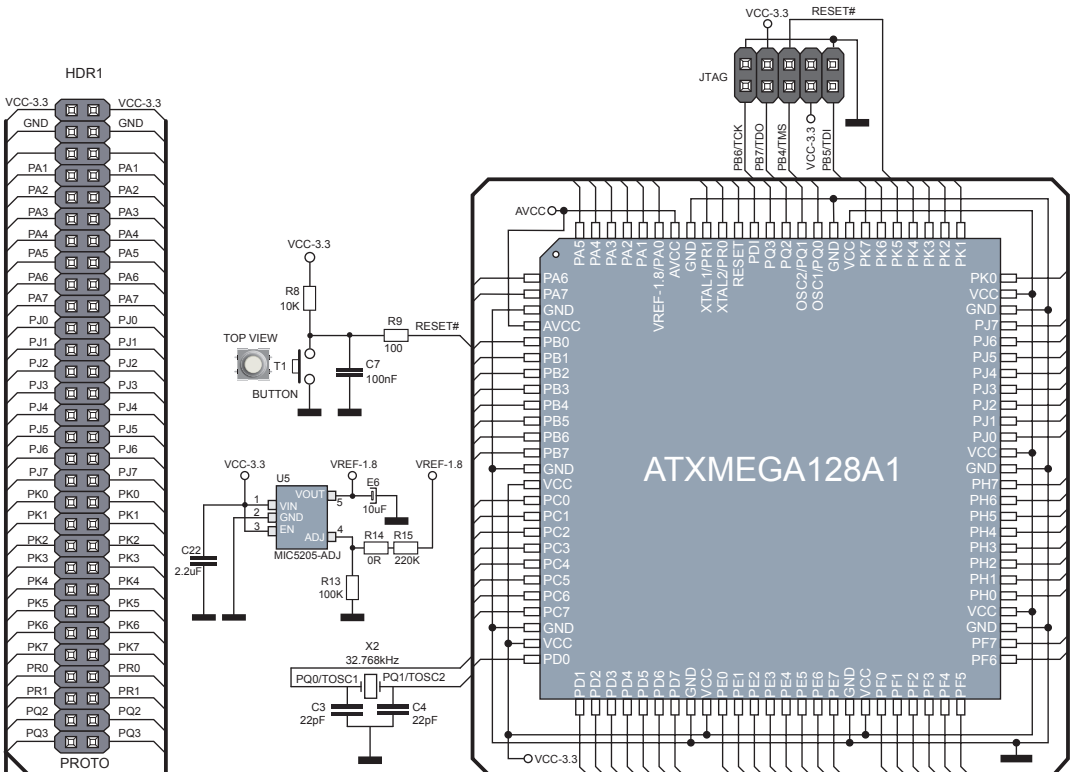
MikroElektronika
DEVELOPMENT TOOLS | COMPILERS | BOOKS



HW REW. 1.00

Copyright 2003-2011 by MikroElektronika. All rights reserved.

MikroElektronika assumes no responsibility or liability for any errors or inaccuracies that may appear in the present document. Specification and information contained in the present schematic are subject to change at any time without notice.



RIGHT SIDE HEADERS