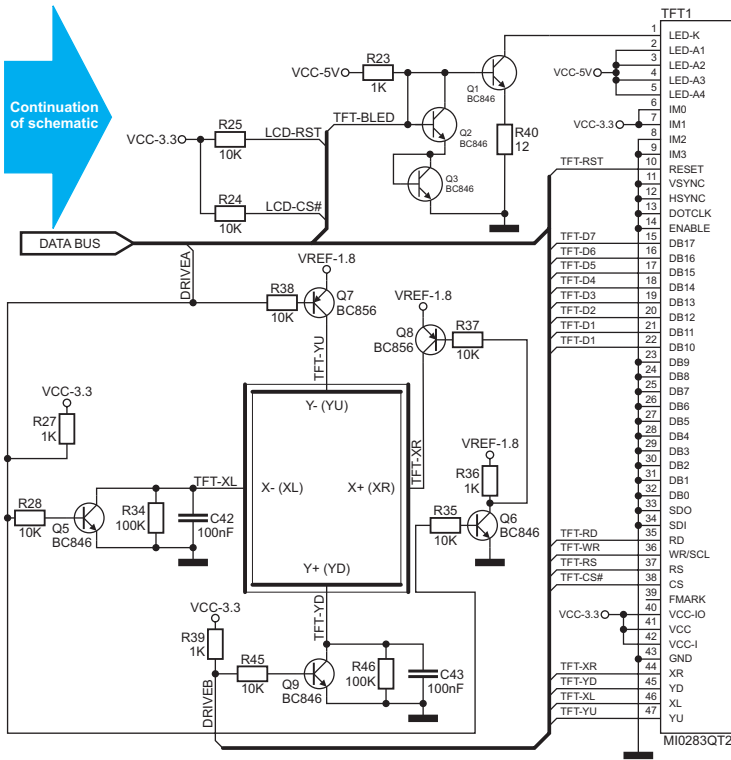


Continuation of schematic



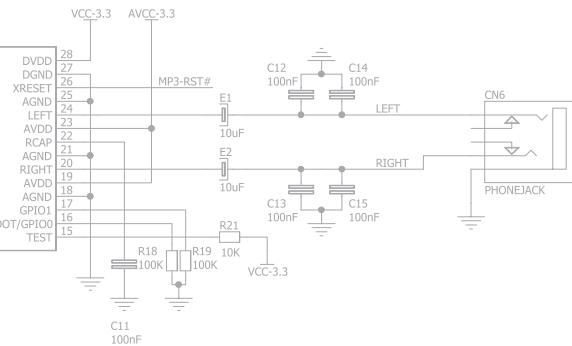
TFT320x240 display with 262.000 colors

HW REV. 1.10

Copyright 2003-2011 by MikroElektronika. All rights reserved

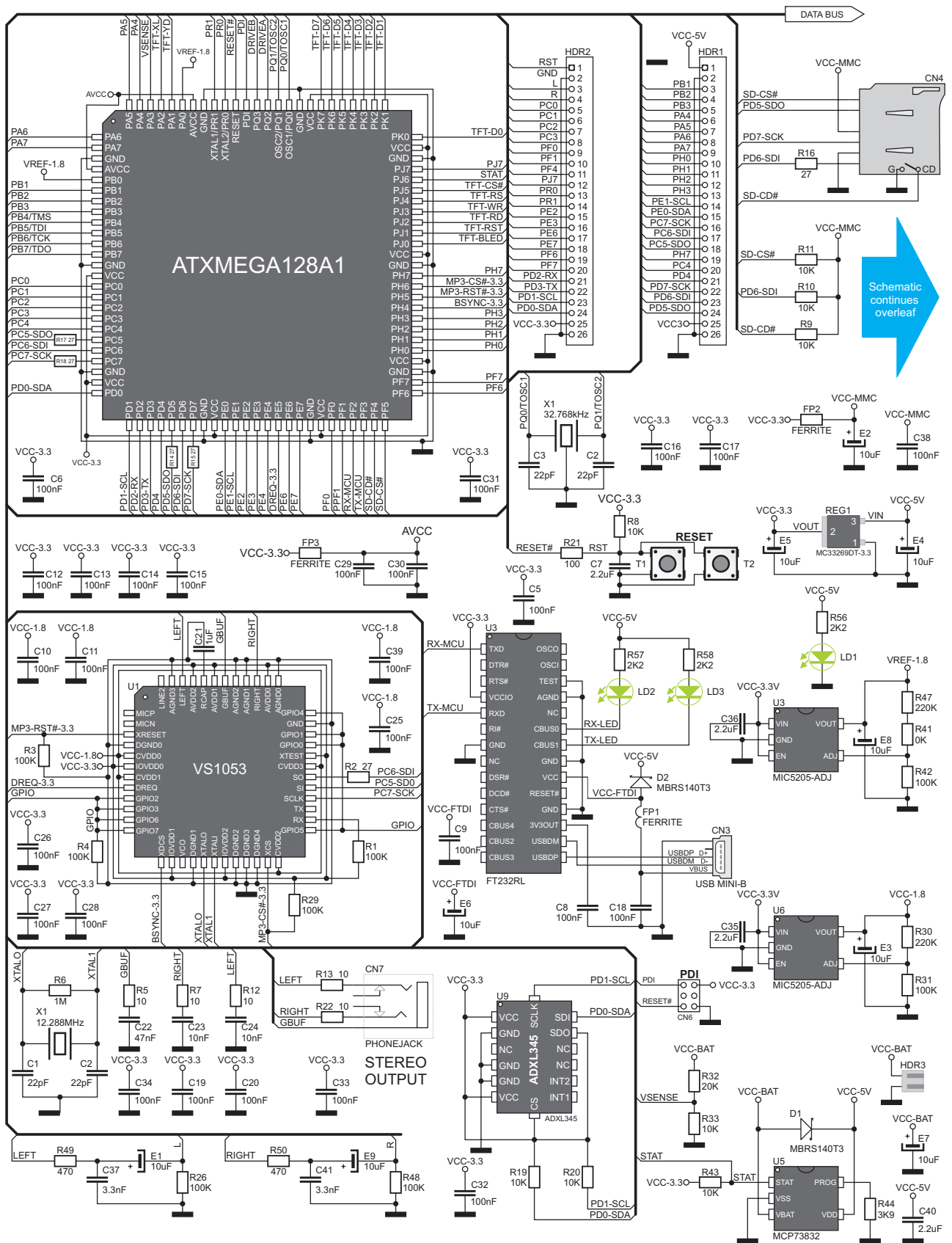
MikroElektronika assumes no responsibility or liability for any errors or inaccuracies that may appear in the present document. Specification and information contained in the present schematic are subject to change at any time without notice.

schematic



mikromedia
board for XMEGA

Compact development system rich with on-board peripherals for all-round multimedia development on ATXMEGA128A1



If you want to learn more about our products, please visit our website: www.mikroe.com

If you are experiencing some problems with any of our products or just need additional information, please contact our technical support: www.mikroe.com/en/support