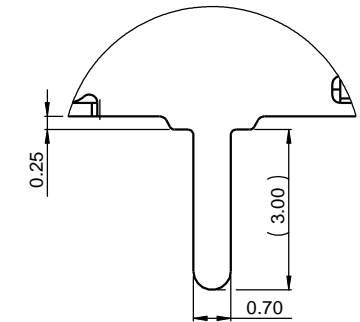
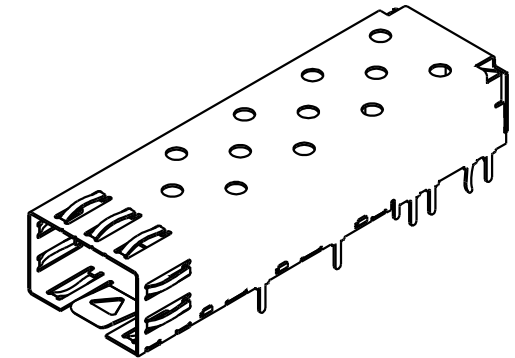
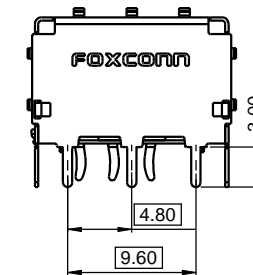
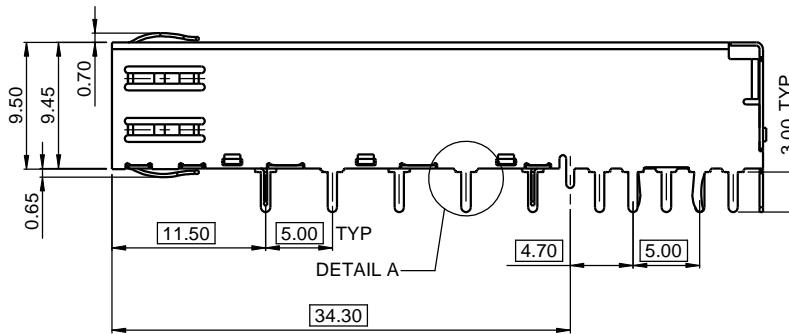
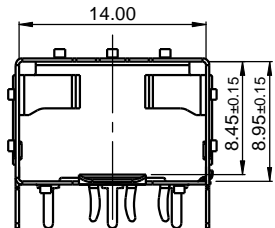
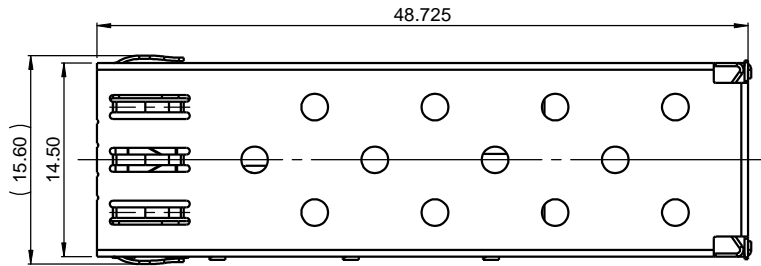


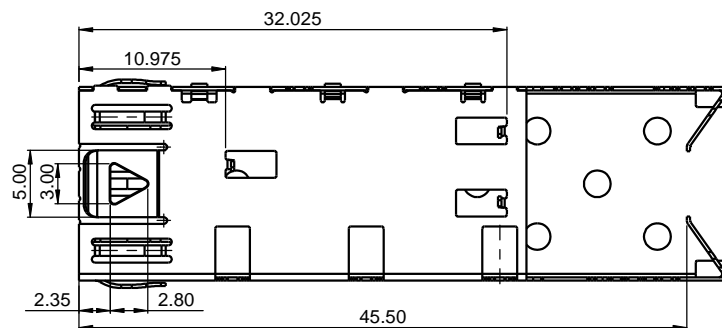
REV.	ECN. NO.	APPD.
A	BC-14-0030670	CAMVARD

NOTES: UNLESS OTHERWISE SPECIFIED

1. DIMENSION TO BE INTERPRETED PER ASME Y14.5-1994.
2. MATERIAL: COPPER ALLOY.
3. DATUM AND BASIC DIMENSIONS ARE ESTABLISHED BY CUSTOMER.
4. PADS AND VIAS ARE CHASSIS GROUND, 11 PLACES.
5. THRU HOLES, PLATING OPTIONAL.
6. CROSS-HATCHED AREA DENOTES COMPONENT AND TRACE KEEP-OUT (EXCEPT CHASSIS GROUND).
7. THIS AREA DENOTES COMPONENT KEEP-OUT (TRACES ALLOWED).
8. MINIMUM PITCH ILLUSTRATED, DIMENSIONS ARE FOR REFERENCE ONLY.
9. NOT RECOMMENDED FOR PCI EXPANSION CARD APPLICATIONS.
10. HARMFUL MATERIAL CONTROL FOLLOW DOC. NO. EPH12..



DETAIL A

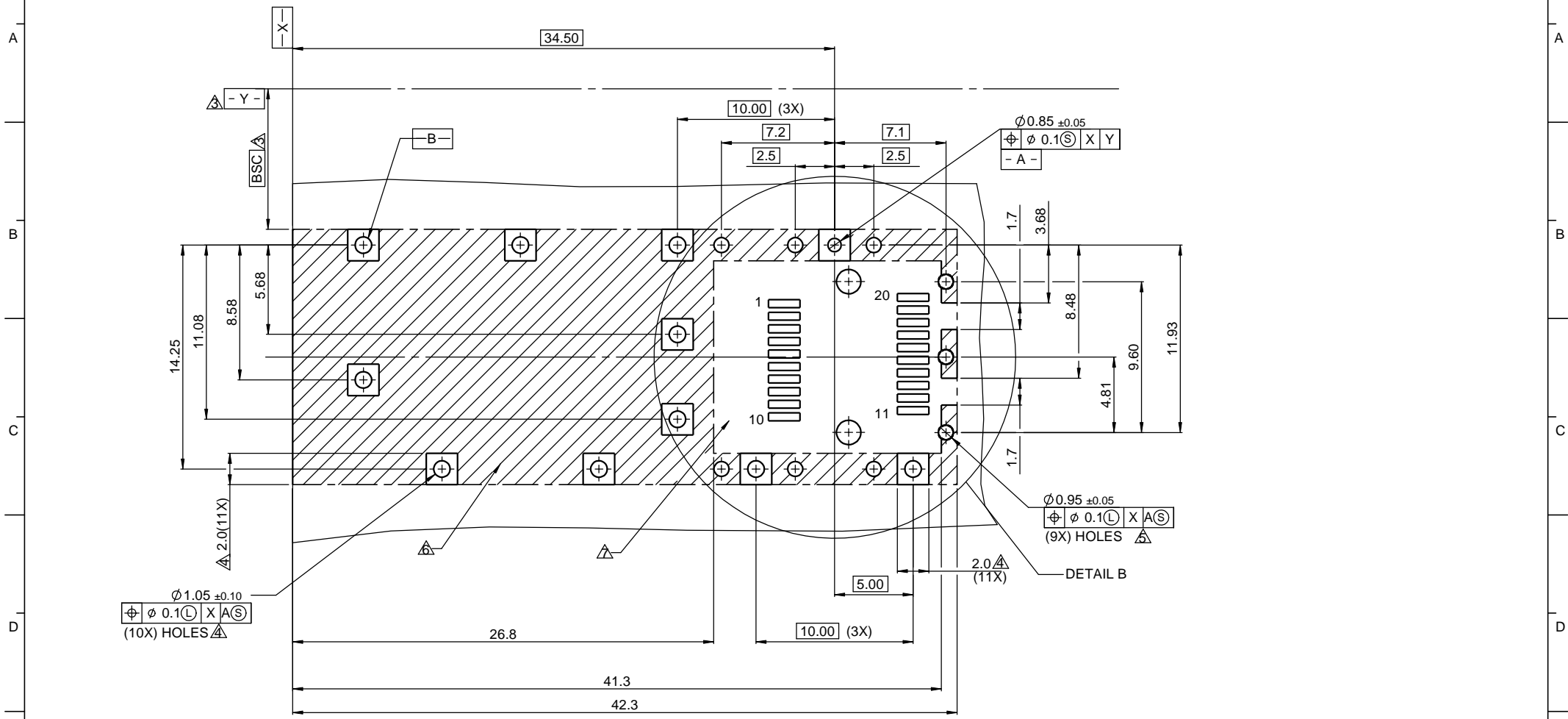


PART LIST

3S000000-3L - * F	LEAD FREE CODE
3: STANDARD TYPE	F: LEAD FREE
L: SOLED TYPE	NONE: TIN/LEAD
	PACKING TYPE
	4: TRAY
	7: TAPE AND REEL

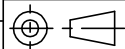
X. ±	X. ± 5°	UNITS mm	NAME (INTENDED USE)	FOXCONN FOXCOON INTERCONNECT TECHNOLOGY LIMITED
.X ± 0.20	.X° ± 3°	MAT'L	SFP 1X1 CAGE	
.XX ± 0.13	.XX° ±	2.	PART NO. (INTENDED USE)	CLASS: <input type="checkbox"/> CONFIDENTIAL <input type="checkbox"/> SECRET <input checked="" type="checkbox"/> GENERAL
.XXX ±	.XXX° ±		FINISH	3S000000-3L-4F
THESE DRAWINGS AND SPECIFICATIONS ARE THE PROPERTY OF FOXCONN INTERCONNECT TECHNOLOGY LIMITED, AND SHALL NOT BE REPRODUCED COPIED OR USED IN ANY MANNER WITHOUT THE PRIOR WRITTEN CONSENT OF HON HAI PRECISION IND. CO., LTD.			APPD:	DWG NO.:
			CAMVARD 2014/6/23	323-0000-1835
			CHKD:	SCALE SHEET REV.
			OWEN ZHANG 2014/6/23	N/A 1/3 A
			DR:	
			JERRY TIAN 2014/6/23	

REV.	ECN. NO.	APPD.

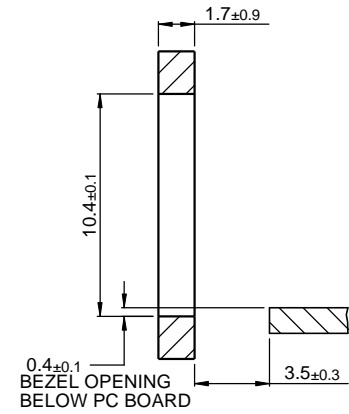
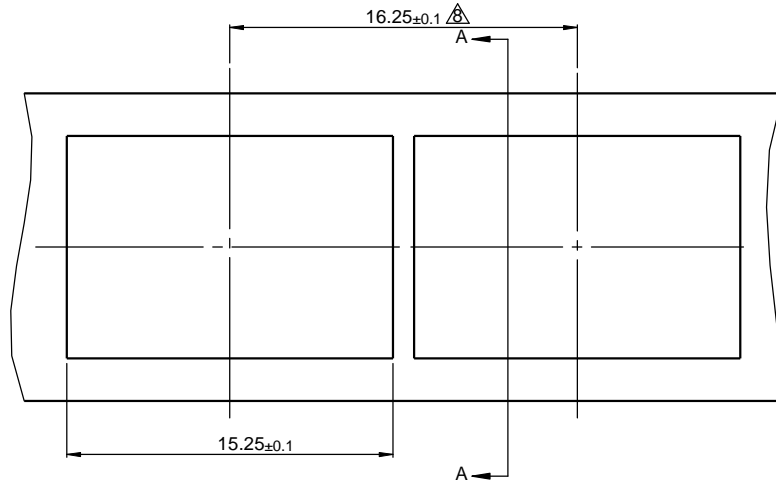


SFP HOST BOARD MECHANICAL LAYOUT

X. ±	X.° ± 5°	UNITS mm	NAME (INTENDED USE)	FOXCONN FOXCOON INTERCONNECT TECHNOLOGY LIMITED	
.X ± 0.15	.X° ± 3°	MAT'L	SFP 1X1 CAGE		
.XX ± 0.10	.XX° ±	FINISH	PART NO. (INTENDED USE)	CLASS: <input type="checkbox"/> CONFIDENTIAL <input type="checkbox"/> SECRET <input checked="" type="checkbox"/> GENERAL	
.XXX ±	.XXX° ±		3S000000-3L-4F	TITLE: CUSTOMER DRAWING	
THESE DRAWINGS AND SPECIFICATIONS ARE THE PROPERTY OF FOXCOON INTERCONNECT TECHNOLOGY LIMITED, AND SHALL NOT BE REPRODUCED COPIED OR USED IN ANY MANNER WITHOUT THE PRIOR WRITTEN CONSENT OF HON HAI PRECISION IND. CO., LTD.			APPD:	DWG NO.:	
			CAMVARD 2014/6/23	323-0000-1835	
			CHKD: OWEN ZHANG 2014/6/23		
DR: JERRY TIAN 2014/6/23		Q'TY	SCALE	SHEET	REV.
			NA	2/3	A

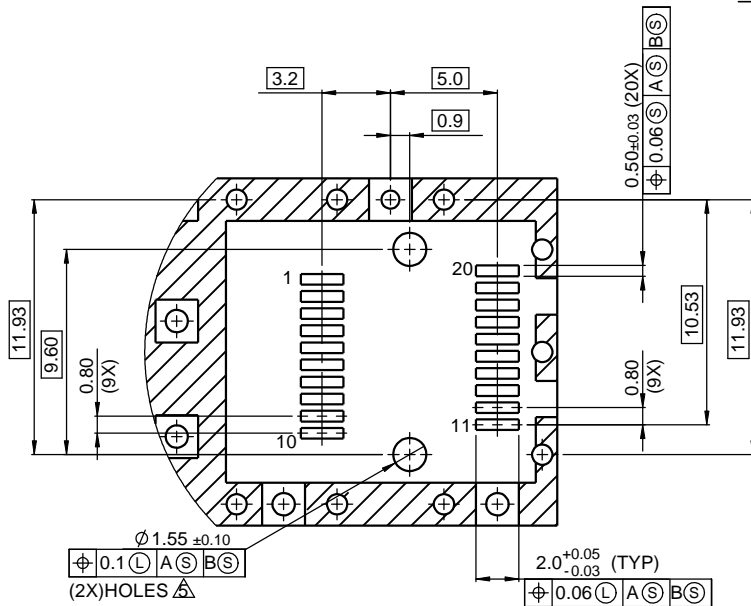


REV.	ECN. NO.	APPD.



SECTION A-A

RECOMMENDED PANEL DESIGN



DETAIL B

X.±	X°.± 5°	UNITS mm	NAME(INTENDED USE) SFP 1X1 CAGE	FOXCONN FOXCOON INTERCONNECT TECHNOLOGYLIMITED
.X± 0.15	.X°.± 3°	MAT'L	PART NO.(INTENDED USE) 3S000000-3L-4F	
.XX± 0.10	.XX°.±	FINISH	APPD: CAMVARD 2014/6/23	CLASS: <input type="checkbox"/> CONFIDENTIAL <input type="checkbox"/> SECRET <input checked="" type="checkbox"/> GENERAL
.XXX±	.XXX°.±	Q'TY	CHKD: OWEN ZHANG 2014/6/23	TITLE: CUSTOMER DRAWING
THESE DRAWINGS AND SPECIFICATIONS ARE THE PROPERTY OF FOXCOON INTERCONNECT TECHNOLOGYLIMITED, AND SHALL NOT BE REPRODUCED COPIED OR USED IN ANY MANNER WITHOUT THE PRIOR WRITTEN CONSENT OF HON HAI PRECISION IND. CO., LTD.			DR: JERRY TIAN 2014/6/23	DWG NO.: 323-0000-1835