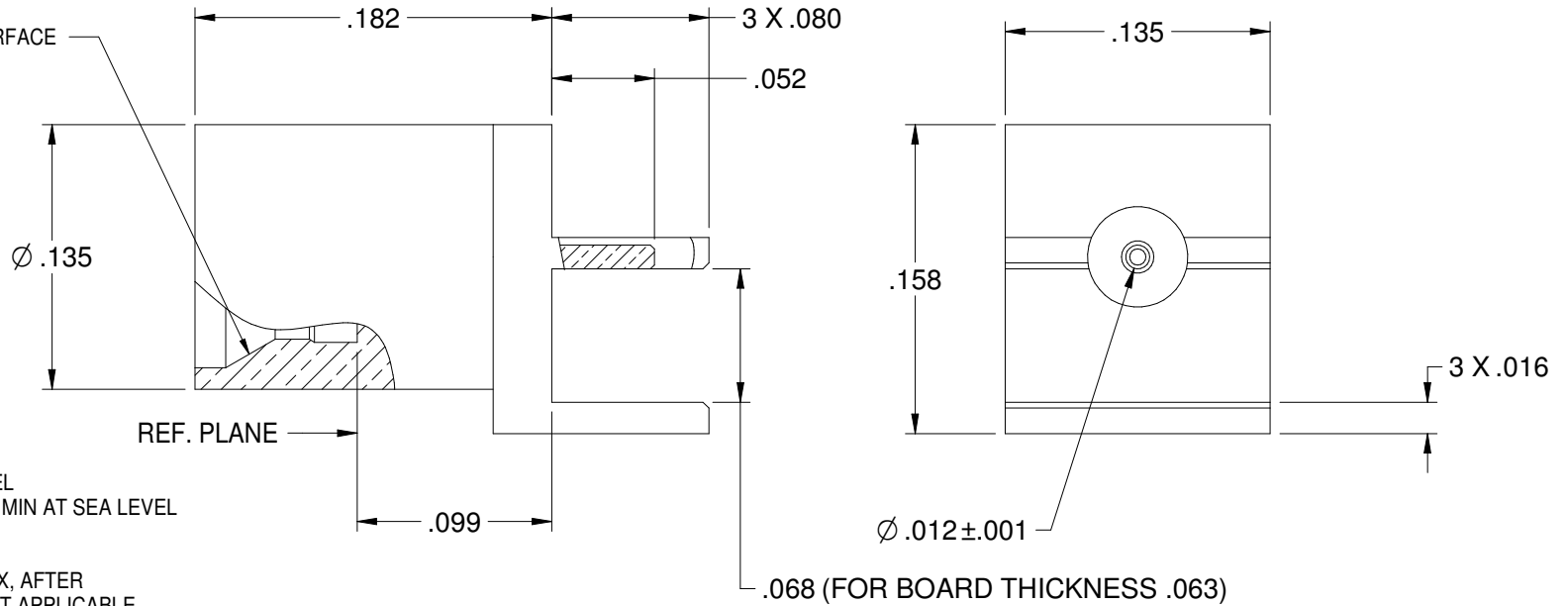


REV	ECO	DATE
0	ECO-18-XXXX	4/9/2018

PART NUMBER	ITEM ① BODY	ITEM ② CONTACT	ITEM ③ INSULATOR
125-0701-811	BERYLLIUM COPPER GOLD PL .00005 MIN OVER NICKEL PL.00005 MIN OVER COPPER	BERYLLIUM COPPER GOLD PL .00005 MIN OVER NICKEL PL.00005 MIN OVER COPPER	TEFLON

SMPM FULL DETENT INTERFACE
PER MIL-STD-348



SPECIFICATION:

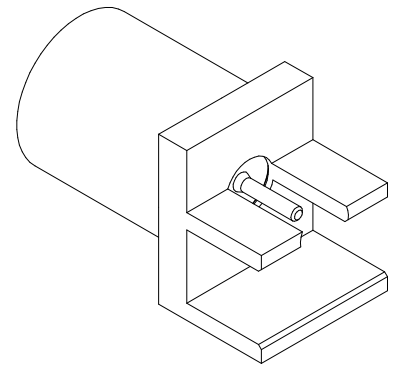
IMPEDANCE: 50 OHMS
 FREQUENCY RANGE: 0-26.5 GHz
 VSWR: DEPENDANT ON APPLICATION
 WORKING VOLTAGE: 325 VRMS MAX AT SEA LEVEL
 DIELECTRIC WITHSTANDING VOLTAGE: 325 VRMS MIN AT SEA LEVEL
 INSULATION RESISTANCE: 5000 MEGOHM MIN
 CONTACT RESISTANCE:
 CENTER CONTACT - INITIAL 6 MILLIOHM MAX, AFTER ENVIRONMENTAL NOT APPLICABLE
 OUTER CONDUCTOR - INITIAL 2 MILLIOHM MAX, AFTER ENVIRONMENTAL NOT APPLICABLE
 RF LEAKAGE: NOT APPLICABLE

MECHANICAL:

ENGAGEMENT FORCE: 4.5 LBS TYPICAL
 DISENGAGEMENT FORCE: 6.5 LBS TYPICAL
 CONTACT RETENTION: 1.3 LBS MIN AXIAL FORCE
 DURABILITY: 100 CYCLES MIN

ENVIRONMENTAL:

OPERATING TEMPERATUR: -65 TO 165 °C
 THERMAL SHOCK: MIL-STD-202, METHOD 107, CONDITION B
 MECHANICAL SHOCK: MIL-STD-202, METHOD 213, CONDITION I
 CORROSION: MIL-STD-202, METHOD 101
 VIBRATION: MIL-STD-202, METHOD 204
 MOISTURE RESISTANCE: MIL-STD-202, MEHTOD 106, EXCEPT STEP 7B



<p>The PROPRIETARY Document is property of Cinch Connectivity Solutions, Inc. and its subsidiaries. It is to be used with the clear understanding that no license or other intellectual property permission is intended or granted.</p> <p>INTERPRET DRAWINGS IN ACCORDANCE WITH ASME Y14.5-2009</p>	Material:	Model No.	125-0701-811	JOHNSON		
	SEE NOTE	RoHS2 <input checked="" type="checkbox"/> 2011/65/EU	Cage Code	Title: SMPM MALE FULL DETENT EDGE MOUNT FOR 0.063 BOARD THICKNESS		
	SEE NOTE	UNLESS OTHERWISE SPECIFIED: X ±0.2 X.X ±0.1 X.XX ±0.07 ANGLES ±2 DEG	3RD ANGLE PROJECTION	Drawing No.	125-0701-811	Rev.
	SEE NOTE	Workmanship Size	Drawn by:	R.SHEN	Size	B
		Date:	4/9/18	DO NOT SCALE DRAWING	Sheet 1 of 1	