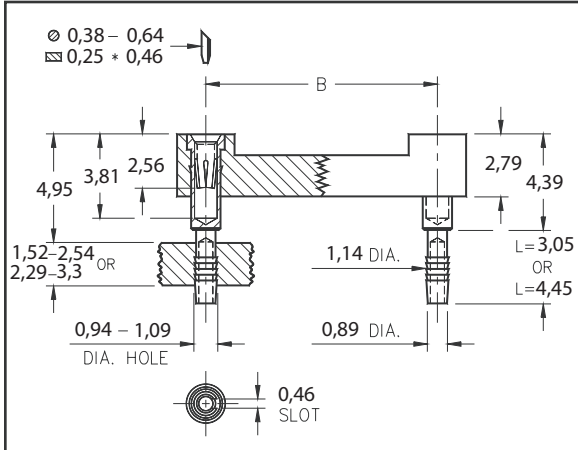




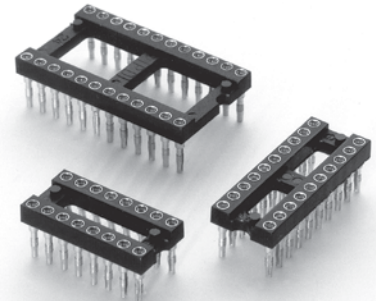
DUAL-IN-LINE SOCKETS

Solderless Press-Fit, Compliant Tail Open Frame

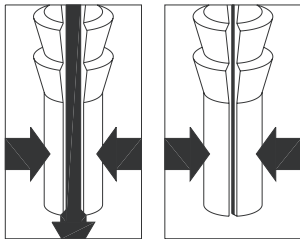
Series 146



- Unique compliant tail pins conform to $1,02 \pm 0,07$ finished hole diameter without stressing inner layers.
- Two tail lengths are offered for 1,52 - 2,54 and 2,29 - 3,3 thick panels.
- Uses M-M# 4612 or 4613 pins with #30 contact rated at 3 amps. See page 131 for pin details.



APPLICATION OF COMPLIANT TAIL PINS



Mill-Max' patented* compliant tail features precision machined pins that are hollow and slotted to conform to a $1,02 \pm 0,07$ diameter PTH. As the pin is inserted, the slot compresses to fit the PTH, thus avoiding damage (see illustration at left). The pin's tail has fine serrations that form a perfect "gas tight" connection that doesn't require soldering. And since the pin doesn't damage the hole, compliant tail sockets and connectors can be easily replaced.

*Patent No. 4,799,904.

Total number of pins				Quantity per tube	Ordering Information					
	L=3,05mm (for 1,52 - 2,54 thick panel)		L=4,45mm (for 2,29 - 3,3 thick panel)		<div style="border: 1px solid green; padding: 5px; font-size: small;"> For RoHS compliance, select ◇ plating code. For the all gold option (XX=13) also change part number from 146-XX-XXX-41-01X000 to 146-13-XXX-41-01X100 </div>					
	A	B	C				93	99		
6	7,6	7,62	10,1	67	146-XX-306-41-012000	146-XX-306-41-013000	<div style="border: 1px solid green; padding: 10px; font-size: small; color: green; font-weight: bold;"> RoHS 2002/95/EC </div>			
8	10,1	7,62	10,1	50	146-XX-308-41-012000	146-XX-308-41-013000				
14	17,7	7,62	10,1	28	146-XX-314-41-012000	146-XX-314-41-013000				
16	20,3	7,62	10,1	25	146-XX-316-41-012000	146-XX-316-41-013000				
18	22,8	7,62	10,1	22	146-XX-318-41-012000	146-XX-318-41-013000				
20	25,3	7,62	10,1	20	146-XX-320-41-012000	146-XX-320-41-013000				
24	30,4	7,62	10,1	16	146-XX-324-41-012000	146-XX-324-41-013000				
22	27,8	10,16	12,7	18	146-XX-422-41-012000	146-XX-422-41-013000				
24	30,5	15,24	17,7	16	146-XX-624-41-012000	146-XX-624-41-013000				
28	35,5	15,24	17,7	14	146-XX-628-41-012000	146-XX-628-41-013000				
32	40,6	15,24	17,7	12	146-XX-632-41-012000	146-XX-632-41-013000				
40	50,8	15,24	17,7	10	146-XX-640-41-012000	146-XX-640-41-013000				
SPECIFY PLATING CODE XX=				◇ 13	93	99			◇ 43	◇ 44
Sleeve (Pin)				0,25µm Au	5,08µm Sn/Pb	5,08µm Sn/Pb			5,08µm Sn	5,08µm Sn
Contact (Clip)				0,76µm Au	0,76µm Au	5,08µm Sn/Pb			0,76µm Au	5,08µm Sn