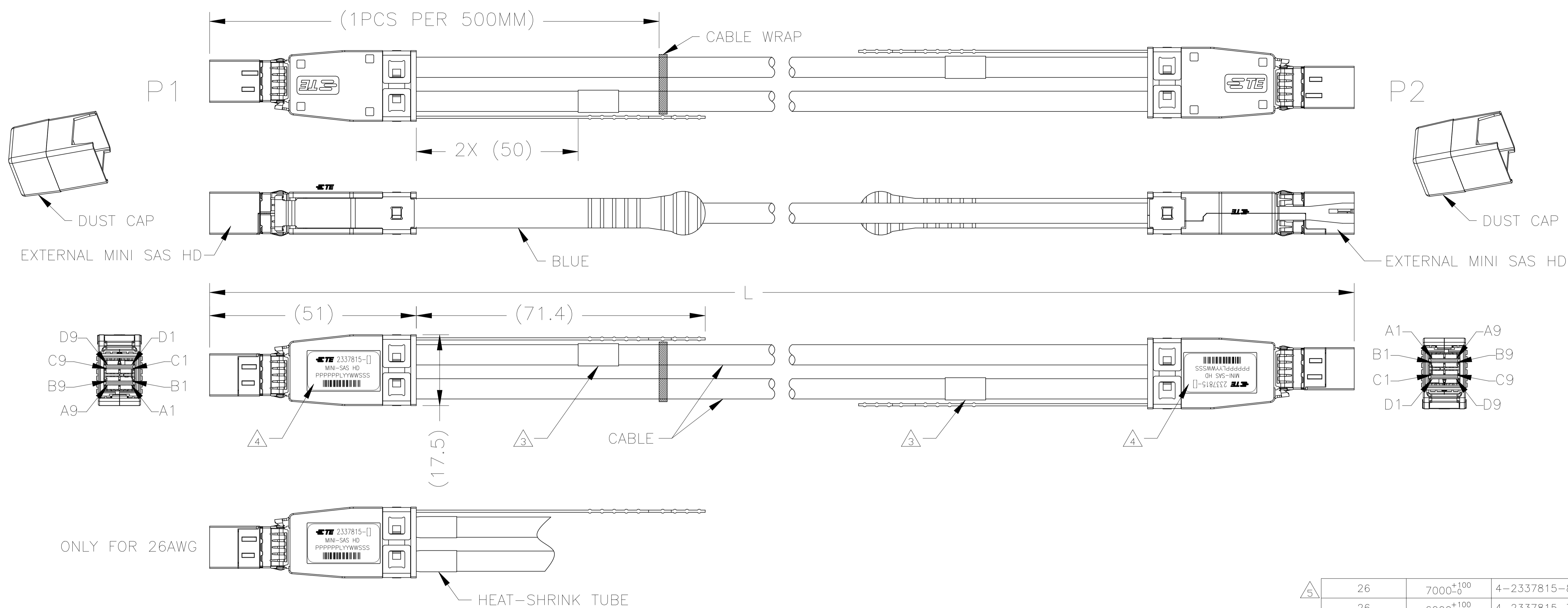
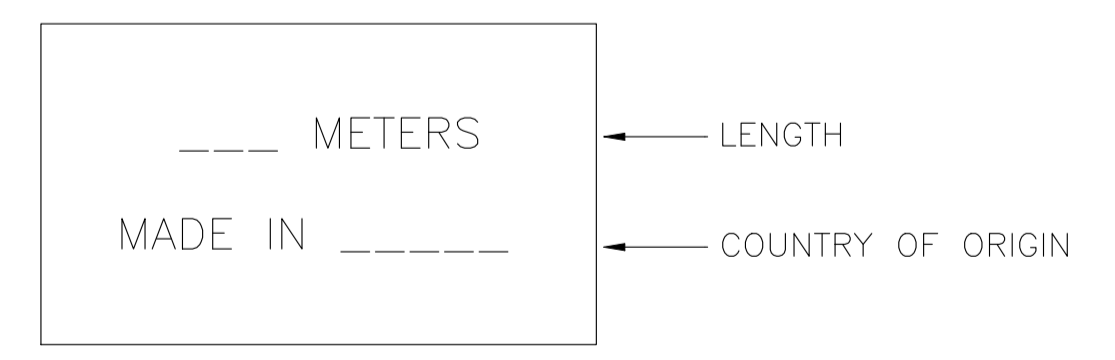


REVISIONS				
P	LTR	DESCRIPTION	DATE	APPRO
A2		ADDED 2-2337815-7 PN	23AUG2021	VK GL



1. ASSEMBLY TESTED FOR CONTINUITY, OPENS, SHORTS, EEPROM PROGRAM AND SIGNAL INTEGRITY.
2. ROHS AND REACH COMPLIANCE: PRODUCT AND PROCESSING MUST MEET REQUIREMENTS OF TE SPECIFICATION TEC-138-702.

3 LABEL INFORMATION:



4 LABEL INFORMATION:



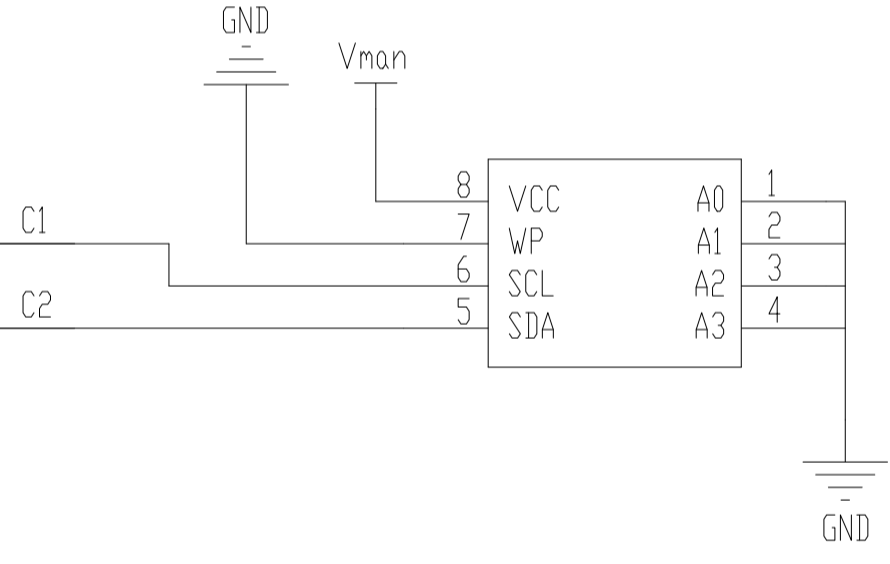
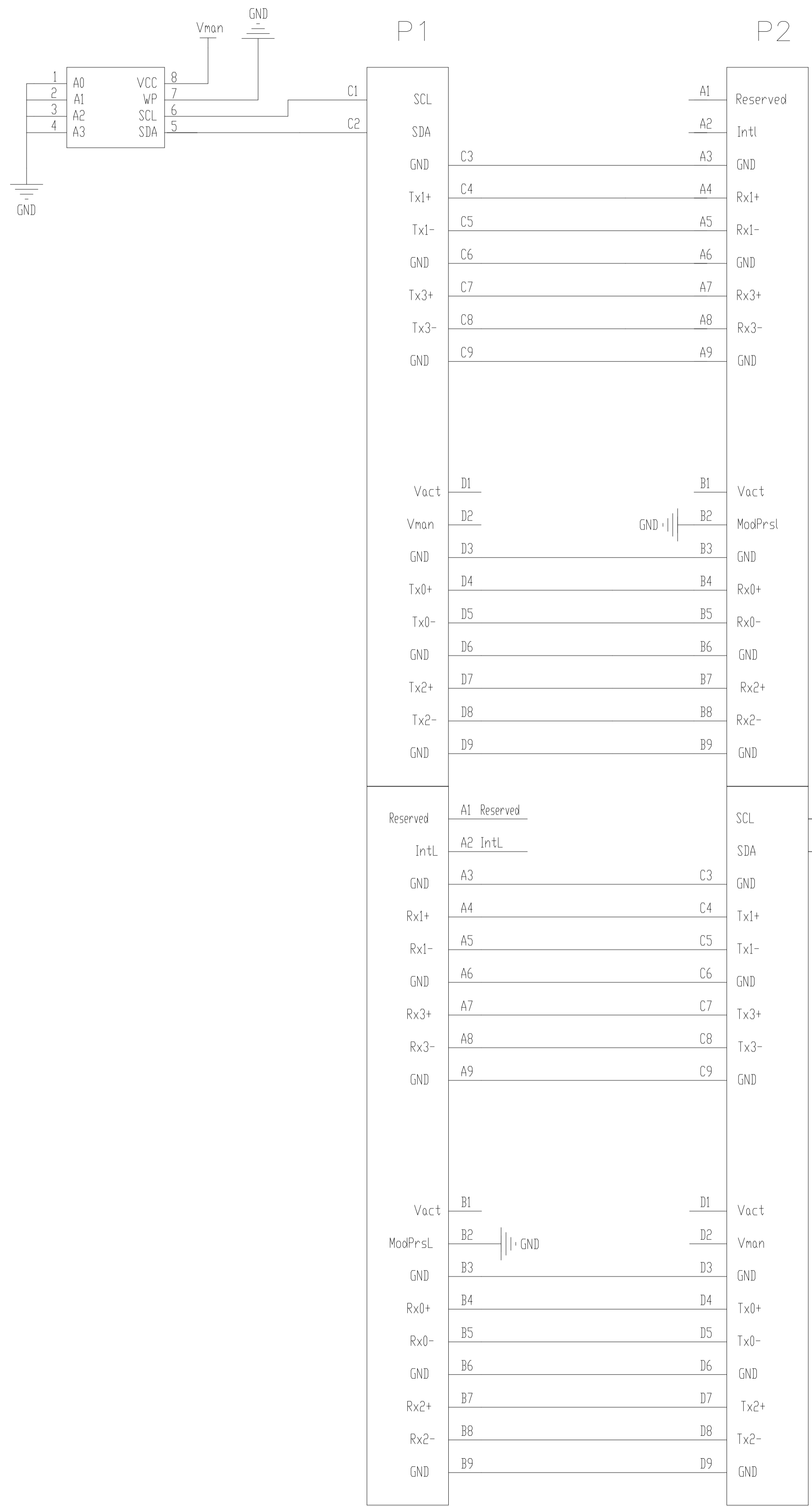
5 4-2337815-8 CAN NOT MEET SI SPECIFICATION OF SAS3.0.


AWG	L	PART NO.
26	7000 ⁺¹⁰⁰ ₋₀	4-2337815-8
26	6000 ⁺¹⁰⁰ ₋₀	4-2337815-7
26	5000 ⁺¹⁰⁰ ₋₀	4-2337815-6
26	4000 ⁺⁸⁰ ₋₀	4-2337815-5
26	3000 ⁺⁸⁰ ₋₀	4-2337815-4
26	2000 ⁺⁸⁰ ₋₀	4-2337815-3
26	1000 ⁺⁵⁰ ₋₀	4-2337815-2
26	500 ⁺⁵⁰ ₋₀	4-2337815-1
28	3500 ⁺⁸⁰ ₋₀	2-2337815-7
28	5000 ⁺¹⁰⁰ ₋₀	2-2337815-6
28	4000 ⁺⁸⁰ ₋₀	2-2337815-5
28	3000 ⁺⁸⁰ ₋₀	2-2337815-4
28	2000 ⁺⁸⁰ ₋₀	2-2337815-3
28	1000 ⁺⁵⁰ ₋₀	2-2337815-2
28	500 ⁺⁵⁰ ₋₀	2-2337815-1
30	3000 ⁺⁸⁰ ₋₀	2337815-4
30	2000 ⁺⁸⁰ ₋₀	2337815-3
30	1000 ⁺⁵⁰ ₋₀	2337815-2
30	500 ⁺⁵⁰ ₋₀	2337815-1
AWG	L	PART NO.

THIS DRAWING IS A CONTROLLED DOCUMENT.

DIMENSIONS:	TOLERANCES UNLESS OTHERWISE SPECIFIED:	DIN KYLIN YAO 05JUN2018	TE Connectivity Ltd.
mm	0. PLC ±	CHK KYLIN YAO 05JUN2018	NAME KYLIN YAO
	1. PLC ±	APPRO DAVID ZHANG 05JUN2018	PRODUCT SPEC
	2. PLC ±		APPLICATION SPEC
	3. PLC ±		SIZE A1
	4. PLC ±		CAGE CODE 00779
	ANGLES ±		DRAWING NO. 2337815
MATERIAL	FINISH	WEIGHT 0	RESTRICTED TO
			CUSTOMER DRAWING
		SCALE 1:1	SHEET 1 OF 2
			REV A2

REVISIONS				
P	LTR	DESCRIPTION	DATE	APP'D
-	-	SEE SHEET 1	-	-



THIS DRAWING IS A CONTROLLED DOCUMENT.		DIN KYLIN YAO 05JUN2018	 TE Connectivity Ltd.
		CHK KYLIN YAO 5JUN2018	
DIMENSIONS: mm		AP'D DAVID ZHANG 5JUN2018	NAME
TOLERANCES UNLESS OTHERWISE SPECIFIED:		MINI SAS HD TO MINI SAS HD	
0. PLC ± -		4X	
1. PLC ± -		-	
2. PLC ± -		-	
3. PLC ± -		-	
4. PLC ± -		-	
ANGLES ± -		-	
MATERIAL -		SIZE A1	RESTRICTED TO
FINISH -		CAGE CODE 00779	DRAWING NO. 2337815
		WEIGHT -	SCALE 1:1
		CUSTOMER DRAWING	SHEET 2 OF 2 REV A2