

15

1502 04

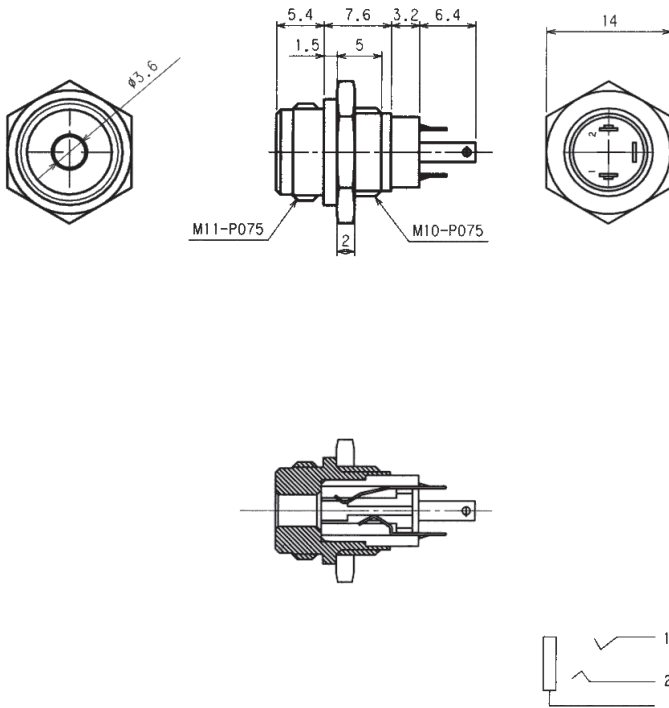
Jack connectors



Jack chassis socket acc. to JIS C 6560 JC35J3A, 3.5 mm, 3 poles/stereo, with threaded joint, with solder eyes, for front mounting

15

1502 04



Environmental conditions

Temperature range -20 °C/+70 °C

Materials

Insulating body PBT GF, V-0 according to UL94
Contact spring Cu alloy, nickel-plated/gold-plated

Mechanical data

Mating cycles ≥ 5000
Insertion force 4–20 N
Withdrawal force 2–15 N

Electrical data (at T_{amb} 20 °C)

Contact resistance ≤ 50 m Ω
Rated current 1 A
Rated voltage 34 V AC/DC
Rated impulse voltage 500 V/60 s
Insulation resistance ≥ 100 M Ω

Associated products

Counterparts
☞ 1532 05

15

1502 04

Designation	Pole Number	PU (Pieces)	MDQ (Pieces)
1502 04	3	100	200

Packaging:

in bulk, in a cardboard box or a plastic bag