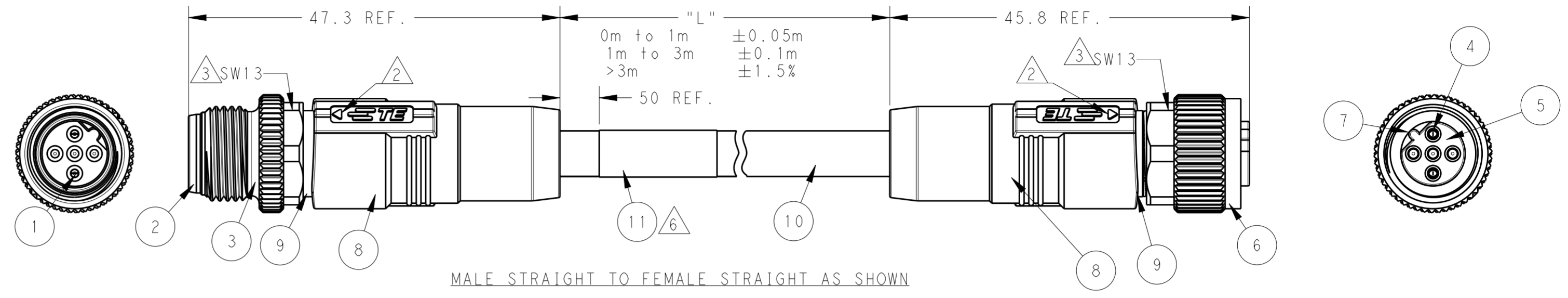


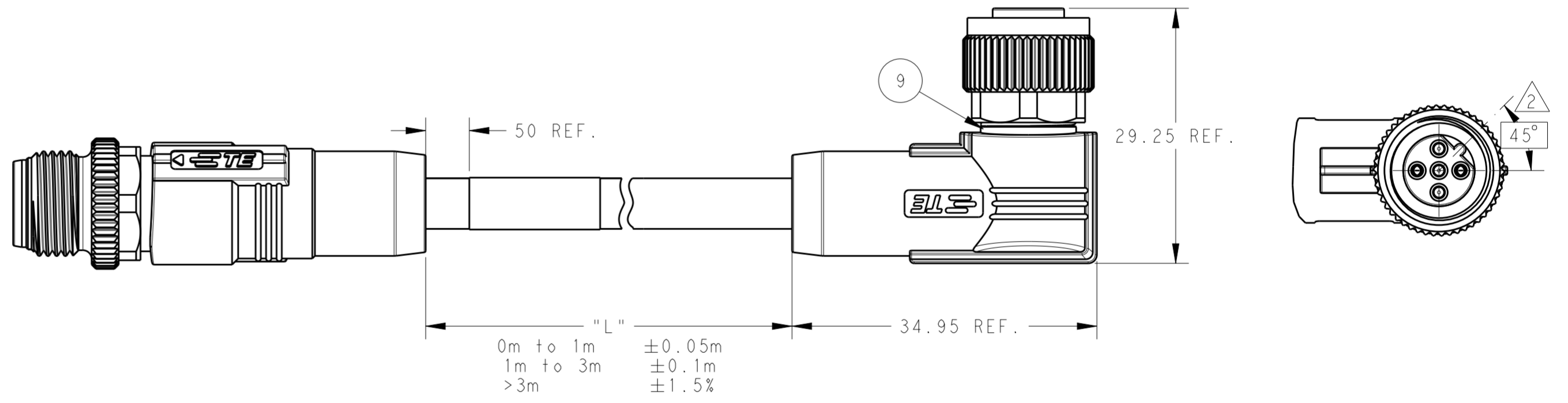
THIS DRAWING IS UNPUBLISHED. RELEASED FOR PUBLICATION 20
 © COPYRIGHT 20 BY - ALL RIGHTS RESERVED.

REVISIONS				
P	LTR	DESCRIPTION	DATE	APVD
A		INITIAL RELEASE	01AUG2019	A.Z C.W
A1		CLARIFY TYPICAL PNS	22JUN2020	A.Z C.W

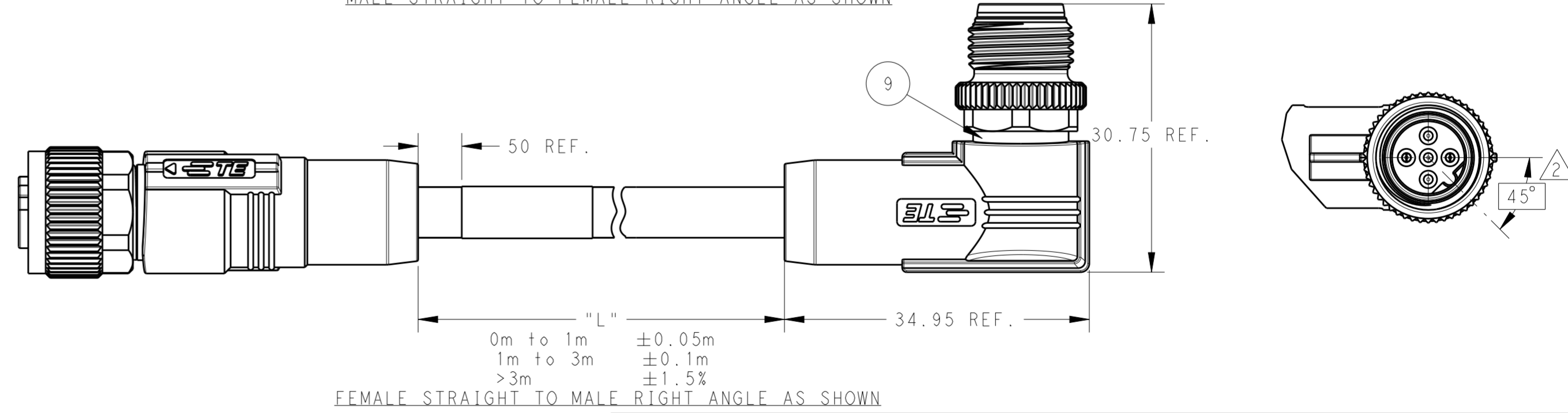
ITEM	DESCRIPTION	MATERIAL	OTHERS
1	MALE CONTACT	COPPER ALLOY	GOLD PLATED
2	MALE HOUSING	NYLON	BLACK
3	MALE NUT	COPPER ALLOY	NICKEL PLATED
4	FEMALE CONTACT	COPPER ALLOY	GOLD PLATED
5	FEMALE HOUSING	NYLON	BLACK
6	FEMALE NUT	COPPER ALLOY	NICKEL PLATED
7	O-RING	SILICONE	GRAY
8	OVER-MOLDING	TPU	BLACK
9	SHIELDED SHELL	COPPER ALLOY	NICKEL PLATED
10	CABLE	PUR	VIOLET
11	LABEL	-	-



MALE STRAIGHT TO FEMALE STRAIGHT AS SHOWN



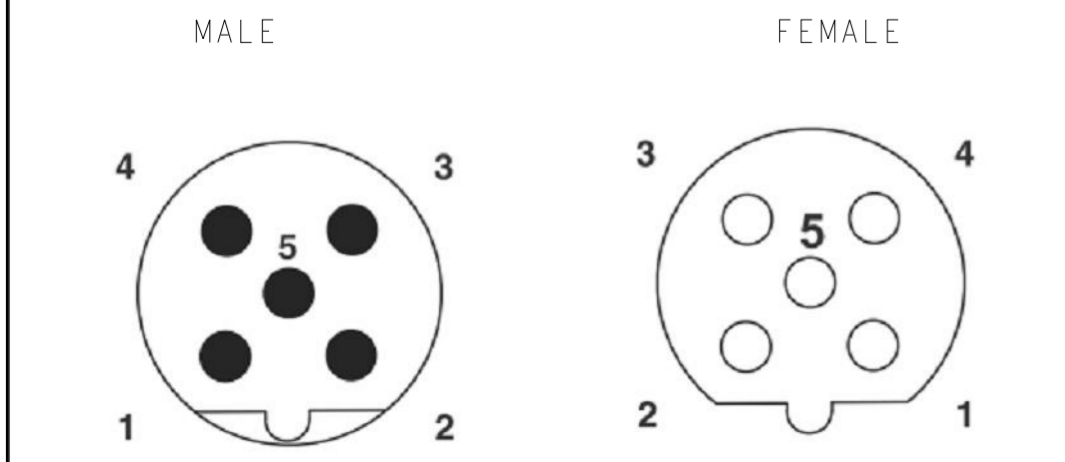
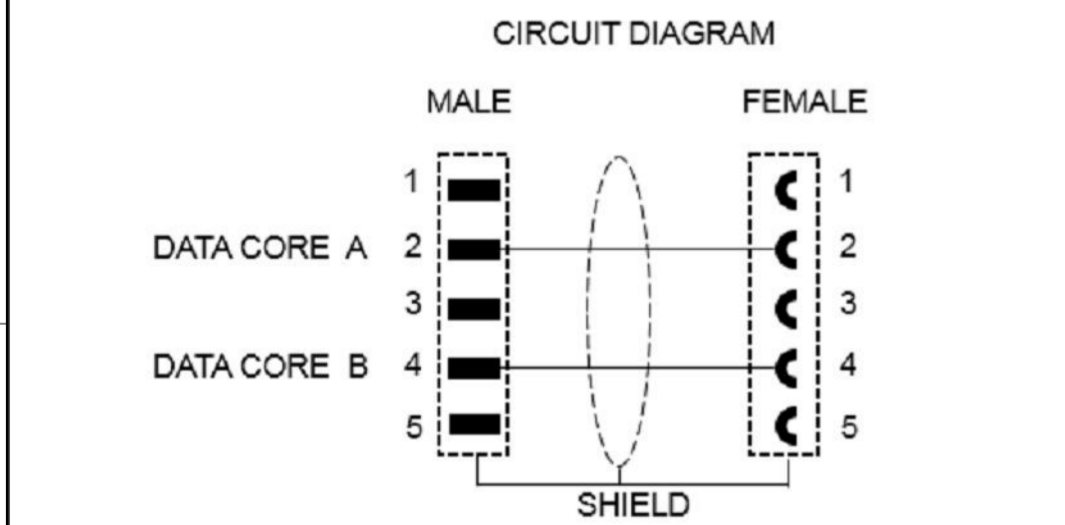
MALE STRAIGHT TO FEMALE RIGHT ANGLE AS SHOWN



FEMALE STRAIGHT TO MALE RIGHT ANGLE AS SHOWN

CIRCUIT DIAGRAM B-CODE

PIN 2 DATE CORE A GREEN
 PIN 4 DATE CORE B RED



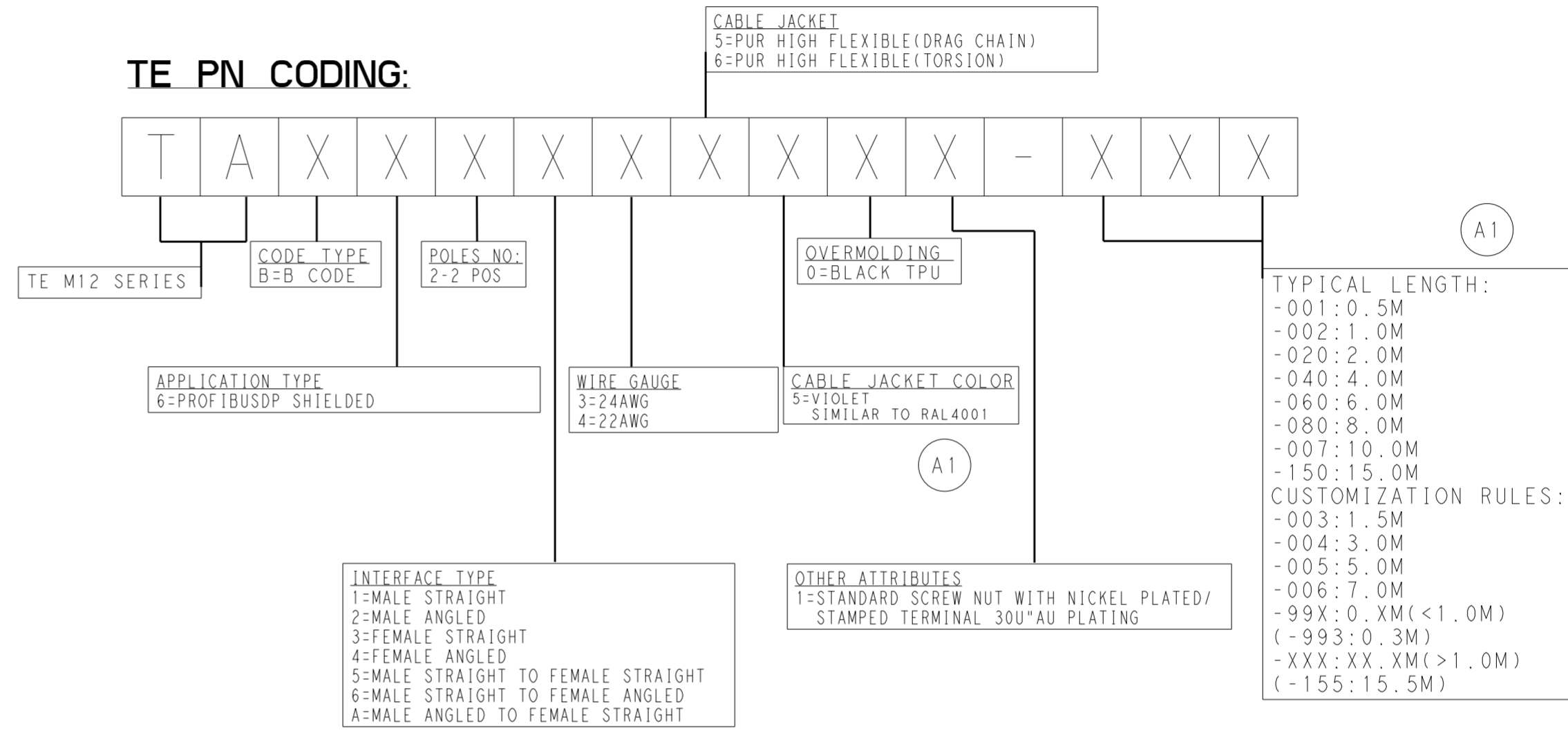
THIS DRAWING IS A CONTROLLED DOCUMENT.		DWN ALE ZHANG 11APR2019	TE Connectivity	
		CHK HART HE 11APR2019		
		APVD CHRIS WANG 11APR2019		
		PRODUCT SPEC 108-106140		
DIMENSIONS: mm		APPLICATION SPEC 114-137144		NAME M12 B CODE CABLE ASSY, SHIELDED 2P, MALE TO FEMALE
TOLERANCES UNLESS OTHERWISE SPECIFIED:		WEIGHT -		SIZE A2
0 PLC ±		RESTRICTED CUSTOMER		CAGE CODE -
1 PLC ±		SCALE 2:1		DRAWING NO. G-TAB62XXX501XXX
2 PLC ±		SHEET 1 OF 2		RESTRICTED TO
3 PLC ±		REV A1		
4 PLC ±				
ANGLES ±				
FINISH -				
MATERIAL -				

REVISIONS				
P	LTR	DESCRIPTION	DATE	APVD
-		SEE SHEET 1	-	-

- NOTE:
- ①. TECHNICAL DATA SEE TABLE 1
 - ②. CODE POSITION INDICATOR
 - ③. RECOMMENDED TORQUE 0.6 Nm
 - ④. -** : CABLE LENGTH, FOR EXAMPLE: -0.5M
 - 5. CABLE ASSEMBLY TO BE PACKAGED IN POLYBAGS
 - ⑥. LABEL CONTAINS: PN, DATE CODE...

- 注释:
- ①. 技术参数参考表 1
 - ②. CODE 位置指示
 - ③. 推荐扭矩 0.6 Nm
 - ④. -** : 线缆长度, 例如: -0.5M
 - 5. 线缆组件塑料袋包装
 - ⑥. 标签包含: 产品编号, 日期代码...

TE PN CODING:



WIRES	TYPICAL LENGTH:	JACKET COLOR	JACKET MATERIAL	TYPE	POS.	TABLE 2 TE PN
WIRES: 22AWG WIRE COLOR: RED AND GREEN OD: APPROX. 8.0MM TEMPERATURE RATING: 80°C UL OPERATION TEMP RATING: -25°C To +75°C APPLICATIONS: FLEXIBLE, SUITABLE FOR ±180° TORSION APPLICATION, 5 MILLION CYCLES FOR 1M LENGTH	-001: 0.5M -002: 1.0M -020: 2.0M -040: 4.0M -060: 6.0M -080: 8.0M -007: 10.0M -150: 15.0M CUSTOMIZATION RULES: -003: 1.5M -004: 3.0M -005: 5.0M -006: 7.0M -99X: 0.XM (<1.0M) (-993: 0.3M) -XXX: XX.XM (>1.0M) (-155: 15.5M)	VIOLET	PUR	M12B2-MR-FS-PUR TORSION-**④	2	TAB62A46501-XXX
				M12B2-MS-FR-PUR TORSION-**④		TAB62646501-XXX
				M12B2-MS-FS-PUR TORSION-**④		TAB62546501-XXX
WIRES: 24AWG WIRE COLOR: RED AND GREEN OD: APPROX. 7.8MM TEMPERATURE RATING: 80°C UL OPERATION TEMP RATING: -40°C To +80°C APPLICATIONS: FLEXIBLE, SUITABLE FOR DRAG CHAIN, MIN. 1 MILLION CYCLES, DIAMETER 75MM, SPEED 2m/s, ACCELERATION 2m/s ²				M12B2-MR-FS-PUR-**④		TAB62A35501-XXX
				M12B2-MS-FR-PUR-**④		TAB62635501-XXX
				M12B2-MS-FS-PUR-**④		TAB62535501-XXX

TECHNICAL DATA	
RATED VOLTAGE	250V
RATED IMPULSE VOLTAGE	2500V
RATED CURRENT	4A
POLLUTION DEGREE	3
OVERVOLTAGE CATEGORY	II
MATERIAL GROUP	II
DEGREE OF PROTECTION	IP67

THIS DRAWING IS A CONTROLLED DOCUMENT.

DIMENSIONS: mm	TOLERANCES UNLESS OTHERWISE SPECIFIED:	DWN: ALE ZHANG 11APR2019	<p>TE Connectivity</p> <p>NAME: M12 B CODE CABLE ASSY, SHIELDED 2P, MALE TO FEMALE</p> <p>SIZE: A2 CAGE CODE: - DRAWING NO: G-TAB62XXX501XXX</p> <p>RESTRICTED TO: SCALE 1:1 SHEET 2 OF 2 REV A1</p>
MATERIAL	FINISH	CHK: HART HE 11APR2019	
		APVD: CHRIS WANG 11APR2019	
		PRODUCT SPEC: 108-106140	
		APPLICATION SPEC: 114-137144	
		WEIGHT: -	
		RESTRICTED CUSTOMER	

Mouser Electronics

Authorized Distributor

Click to View Pricing, Inventory, Delivery & Lifecycle Information:

[TE Connectivity:](#)

[TAB62A46501-002](#)