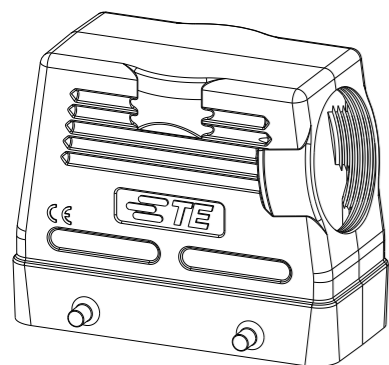
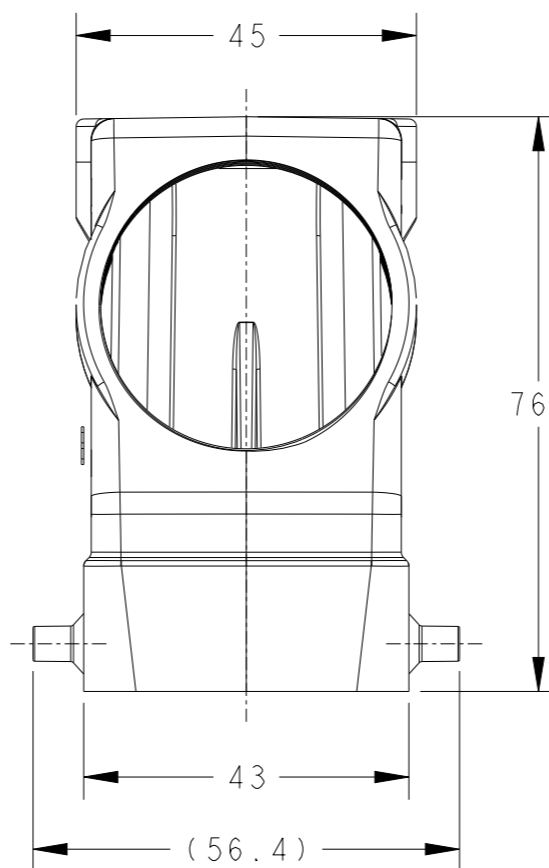
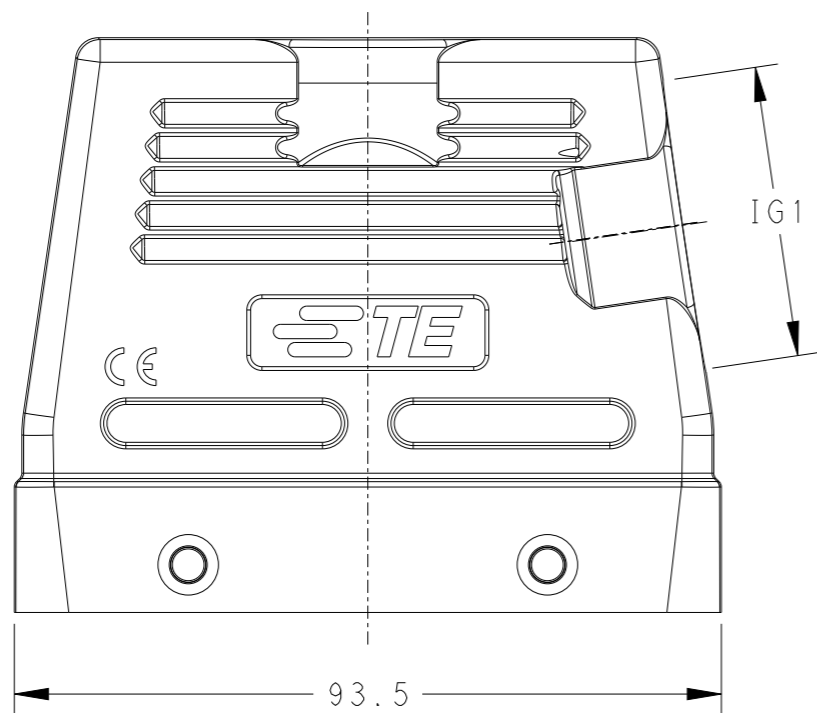


REVISIONS

P	LTR	DESCRIPTION	DATE	DWN	APVD
	A	INITIAL	26JUN2015	DW	CW
	B	ECR-20-008190	04AUG2020	WQR	CW
	B1	ECR-21-105138	25JUN2021	WQR	CW



SCALE 1:2

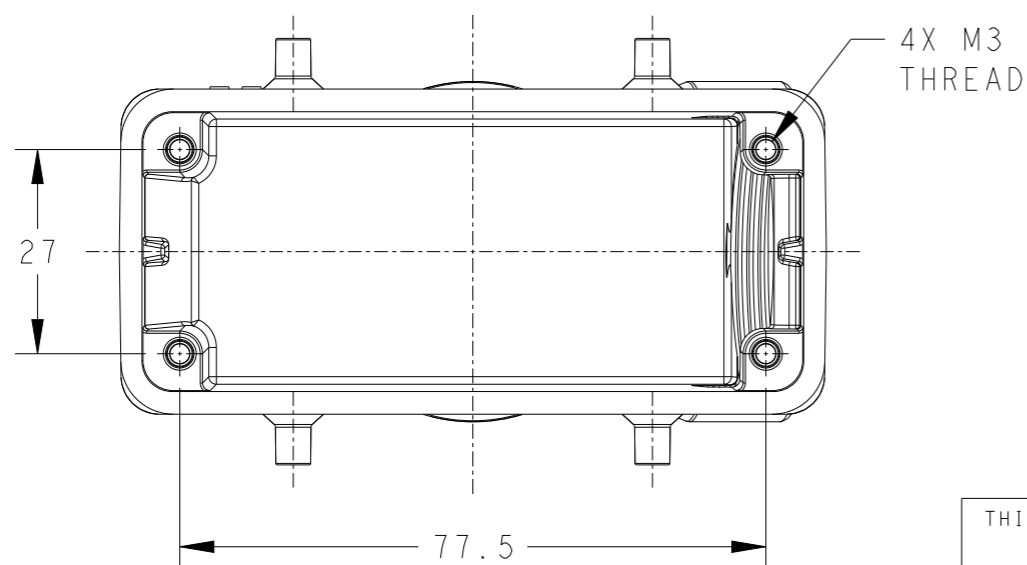


NOTES:

- 1. TECHNICAL CHARACTERISTICS:
HOOD MATERIAL: DIE CAST ALUMINIUM ALLOY
SURFACE: POWDER COATED, INSIDE AND OUTSIDE
GREY COATING
DEGREE OF PROTECTION: IP65 (MATED)

注释:

- 1. 技术参数:
上壳材料: 铝合金
表面处理: 粉末涂层, 里外喷漆, 灰色
防护等级: IP65(配合)



T1230160132-100	H16B-TSH-M32 INSIDE AND OUTSIDE COATING	HIGH CONSTRUCTION	M32
T1230160140-100	H16B-TSH-M40 INSIDE AND OUTSIDE COATING		M40
PART NUMBER	DESCRIPTION	TYPE	IG1

THIS DRAWING IS A CONTROLLED DOCUMENT.		DWN 26JUN2015 David Wang	STE TE Connectivity	
		CHK 26JUN2015 Chris Wang		
DIMENSIONS: mm		APVD 26JUN2015 Xiang Xu	NAME H16B-TSH-M/PG INSIDE AND OUTSIDE COATING	
TOLERANCES UNLESS OTHERWISE SPECIFIED:		PRODUCT SPEC 108-137013	SIZE CAGE CODE DRAWING NO RESTRICTED TO	
0 PLC ±-		APPLICATION SPEC 114-137013	A300779 C-T12X01601XXX00	
1 PLC ±-		WEIGHT -	SCALE 1:1 SHEET 1 OF 1 REV B1	
2 PLC ±-		Customer Drawing		
3 PLC ±-				
4 PLC ±-				
ANGLES ±-				
FINISH -				
MATERIAL -				

Mouser Electronics

Authorized Distributor

Click to View Pricing, Inventory, Delivery & Lifecycle Information:

[TE Connectivity:](#)

[T1230160140-100](#)