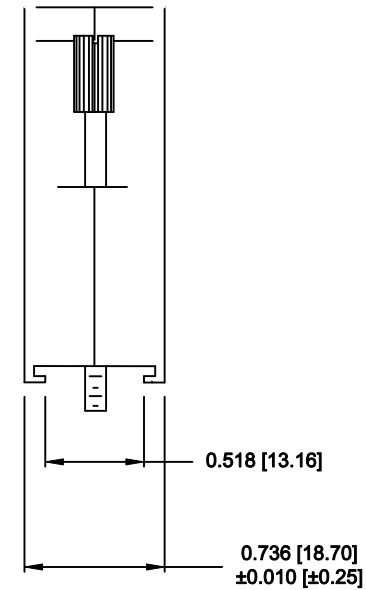
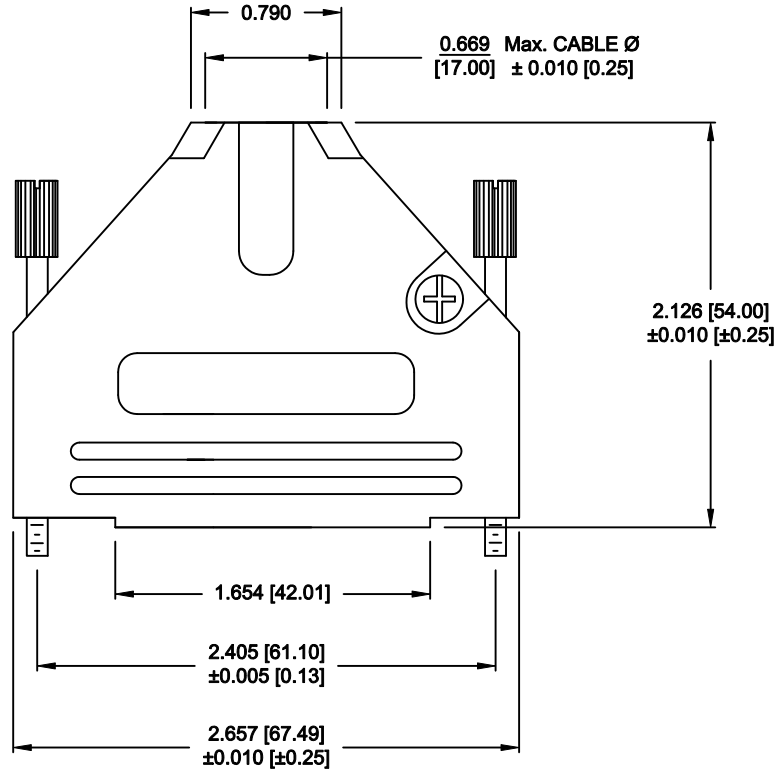


BACKSHELL KIT INCLUDES:

- (2) BACKSHELL HALVES
- (2) 4-40 THUMBSCREWS
- (2) HOUSING SCREWS
- (2) STRAIN RELIEF SCREWS
- (1) STRAIN RELIEF
- (1) SET OF COMPRESSION INSERTS - VARIOUS SIZES
 DIAMETERS: 0.433[11.00], 0.492[12.50], 0.551[14.00], 0.591[15.00] & 0.669[17.00] (WITHOUT GROMMET)

MATERIAL:
 PLATING:
 JACKSCREWS:
 M3 HOODSCREWS:
 COMPRESSION INSERT:
 OPERATING TEMP:

DIE-CAST ZINC ALLOY
 NICKEL OVER COPPER
 STEEL, ZINC PLATED
 STEEL, ZINC PLATED
 ABS UL RECOGNIZED
 -30°C TO +90°C



RoHS COMPLIANT

THESE DRAWINGS AND SPECIFICATIONS ARE THE PROPERTY OF MH CONNECTORS LTD. AND SHALL NOT BE REPRODUCED, COPIED OR USED AS THE BASIS FOR THE MANUFACTURE OR SALE OF APPARATUS WITHOUT WRITTEN PERMISSION.

DRAWN		DATE	
M. SIGMON		09-26-13	
APPROVED		DATE	
D. CROFT		09-26-13	
SCALE	SHEET	OF	REV:
NTS	1	1	A
DRAWING No			
MHDTZK50-K			



MH CONNECTORS LTD.