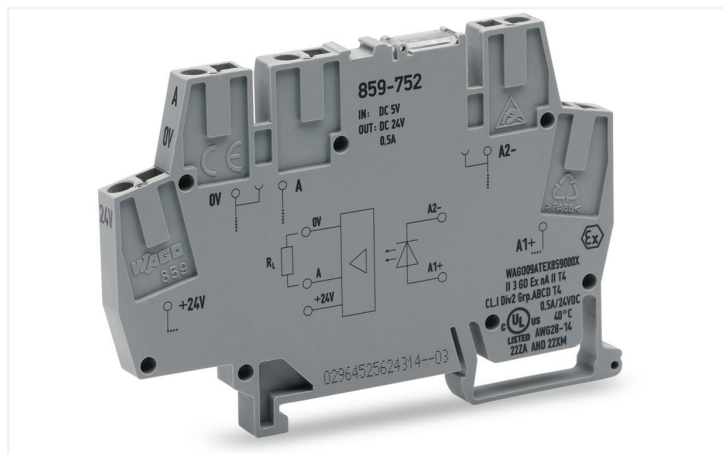


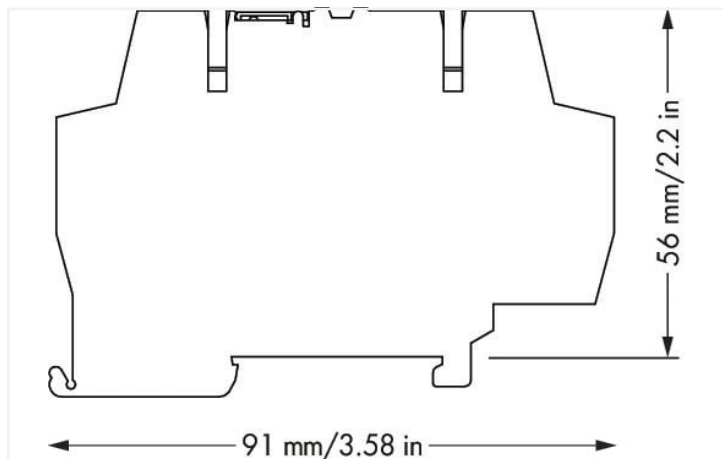
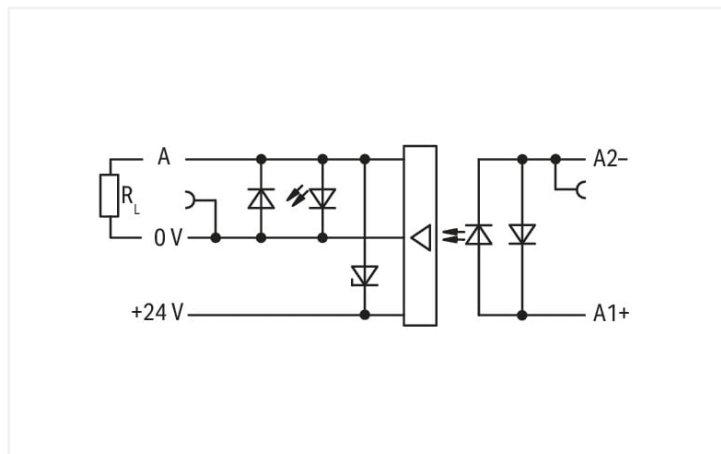
## Data Sheet | Item Number: 859-752

Optocoupler module; Nominal input voltage: 5 VDC; Output voltage range: 0 ... 24 VDC; Limiting continuous current: 0.5 A; Frequency: 10 kHz; Module width: 6 mm; gray

<https://www.wago.com/859-752>



Color: ■ gray



Dimensions in mm

### Notes

Note

Optocouplers and solid state relays are designed for use in signal processing networks, which are not supplied by the low-voltage power supply networks.

### Technical data

#### Control Circuit

Nominal input voltage $U_N$	DC 5 V
Input voltage range (low level)	DC 0 ... 1 V
Input voltage range (high level)	DC 4 ... 6 V
Nominal input current at $U_N$	10 mA

#### Load circuit

Circuit type	3-wire connection High-side switching
Limiting continuous current	0.5 A
Nominal output voltage	DC 24 V
Output voltage range	DC 20 ... 30 V
Voltage drop	$\leq 1.2$ VDC
Leakage current at rated voltage	$\leq 10$ $\mu$ A
Output closed-circuit current (without load) max.	12.5 mA
Turn-on time	$\leq 15$ $\mu$ s
Turn-off time	$\leq 30$ $\mu$ s
Switching frequency	$\leq 10$ kHz

### Signaling

Status indicator	Red LED
------------------	---------

### Safety and protection

Rated voltage	300 V
Overvoltage category	II
Pollution degree	2
Dielectric strength (control/load circuit) (AC, 1 min)	2.5 kVrms
Insulation type (control/load circuit)	Basic insulation
Insulation type (between adjacent devices of the same type)	Reinforced insulation (safe isolation)
Insulation type (to adjacent devices of different types)	Basic insulation
Protection type	IP20; in connected state or when using 859-525 end plate

### Connection data

Connection technology	CAGE CLAMP®
Solid conductor	0.08 ... 2.5 mm <sup>2</sup> / 28 ... 14 AWG
Fine-stranded conductor	0.08 ... 2.5 mm <sup>2</sup> / 28 ... 14 AWG
Fine-stranded conductor; with insulated ferrule	0.08 ... 1.5 mm <sup>2</sup> / 28 ... 16 AWG
Strip length	5 ... 6 mm / 0.2 ... 0.24 inches

### Physical data

Width	6 mm / 0.236 inches
Height	91 mm / 3.583 inches
Depth from upper-edge of DIN-rail	56 mm / 2.205 inches

### Mechanical data

Mounting type	DIN-35 rail
Mounting position	horizontal (standing/lying); vertical

### Material Data

Color	gray
Fire load	0.338 MJ
Weight	17.8 g

### Environmental requirements

Ambient temperature (operation at U <sub>N</sub> )	-25 ... +40 °C
Ambient temperature UL (operation at U <sub>N</sub> )	-25 ... +40 °C
Surrounding air temperature (storage)	-40 ... +70 °C
Processing temperature	-25 ... +50 °C
Temperature range of connection cable	≥ (T <sub>ambient</sub> + 20 K)
Relative humidity	5 ... 95 % (no condensation permissible)
Operating altitude (max.)	2000 m

**Standards and specifications**

Standards/specifications	EN 61010-2-201 EN 61000-6-2 EN 61000-6-3 EN 61373 UL 508
--------------------------	--

**Commercial data**

Product Group	6 (INTERFACE ELECTRONIC)
eCl@ss 10.0	27-26-15-03
eCl@ss 9.0	27-26-15-03
ETIM 8.0	EC001504
ETIM 7.0	EC001504
PU (SPU)	1 pcs
Packaging type	Box
Country of origin	DE
GTIN	4055143605465
Customs tariff number	85365005000