



## Cat.6 Wall Outlet with Surface Box

### Technical Features

2 shielded RJ45 jacks

Horizontal cable entry

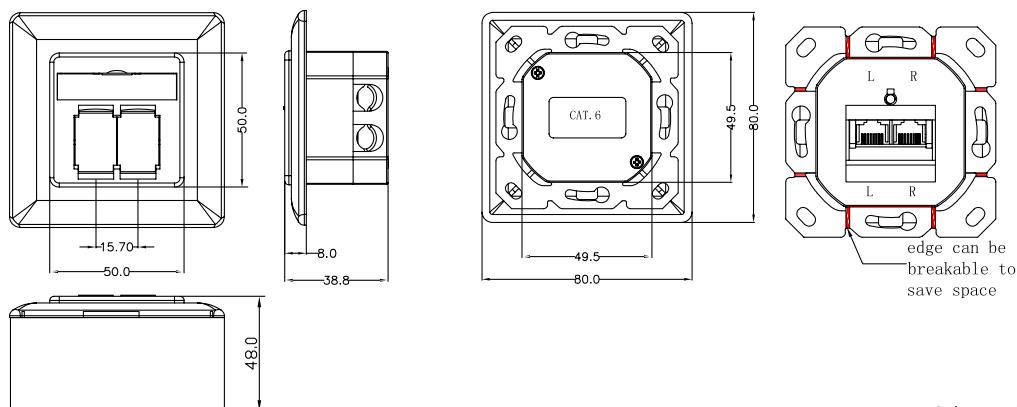
Fully shielded housing

Flush-mounted type with surface back box

Size: 80x80x40 mm

Art no.	Color	EAN Code
NP0006A	RAL9010 Pure White	4052792064575
NP0039A	RAL9003 Signal White	4052792032093

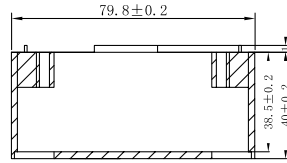
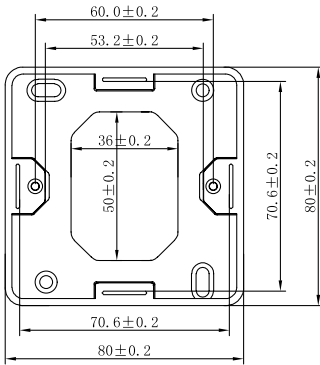
### Technical Drawings



[www.2direct.de](http://www.2direct.de)



RoHS  
compliant



### Electrical:

1. Voltage Rating: 125V AC RMS
2. Current Rating: 1.5A mp
3. Contact Resistance: 100 milli ohms max.
4. Insulation Resistance: 1000m ohms min. @500V DC
5. Dielectric Strength: 750V AC RMS 60Hz, 1min.
- Cat.6 Permanent Link: Conform to ANSI/TIA/EIA-568 C.2 IEC 11801 PL Class E

### Mechanical:

1. Cover & Shutter: Flame Retardant ABS
2. Jack Housing: PBT + 15% GF UL94V0
3. Contact Material: Phosphor Bronze T=0.35mm 8P8C 3u" Golded Plate
4. IDC Contact: Phosphor Bronze T=0.50mm with Nickel Plating
5. Mounting Bracket: Zinc Alloy#3
6. Top Cover: Zinc Alloy#3
7. Rj45 Jack Life: 750 times min.
8. IDN Life: 200 times min.
9. Wire: AWG 22–24 cable conductor OD: 0.65mm–0.5mm
10. IDC Body: Krone type fireproof PC/ABS with colour coded printing T568A/B
11. Retentiveness of Insertion Structure: 50N 60±5s
12. PoE per IEEE802.3af, PoE+ per IEEE 802.3at, PoE++ per IEEE 802.3bt

## Package Contents

1x Cat.6 Wall Outlet with Surface Box

## Packaging Informations

Packing Dimension	85x85x55 mm
Packing Weight	0.260 kg
Carton Dimension	360x360x260 mm
Carton Q'ty	64 pcs
Carton Weight	15.4 kg



www.2direct.de



RoHS  
compliant