

CUBE20 DIGITAL OUTPUT MODULE

32 digital outputs

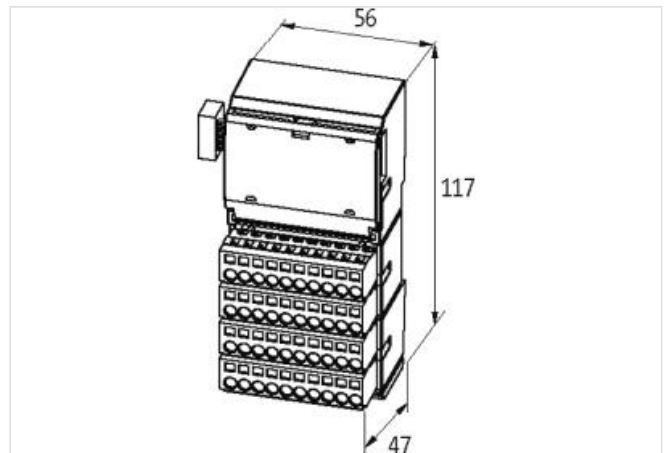
Expansion module
Digital outputs
DO32 - (E)

[Link to Product](#)

Illustration



Product may differ from Image



General data

Mounting method	DIN-rail mountable (EN 60715)
Temperature range	0...+55 °C (storage temperature -20...+85 °C)
Protection	IP20
Dimensions H×W×D	117×56×47 mm

Output

Lamp load	10 W
Galvanic isolation	500 V DC between outputs and internal communication
Actuator supply UA	24 V DC (EN 61131-2), max. 12 A
Switching current per output	max. 0.5 A (short-circuit and overload protected)

Internal communication

Current consumption	max. 25 mA
Module supply	via system connection

Connections

Fieldbus	Ribbon cable connection
Sensor-system/actuator supply	8× spring clamp plug-in terminals, max. 2.5 mm ² (max. 12 A)
I/O ports	32× spring clamp plug-in terminals, max. 2.5 mm ²

Diagnostic

Communication status	via LED
Diagnostic via LED	per module and channel
Diagnostic via BUS	per module and channel

Monitoring - under voltage	yes
Monitoring - no voltage	no
Short-circuit and overload	yes
Commercial data	
country of origin	CZ
customs tariff number	85176200
EAN	4048879049290
eClass	27242604
Packaging unit	1.000