

1379668-1 ✓ ACTIVE

## TH/.025 Connector System

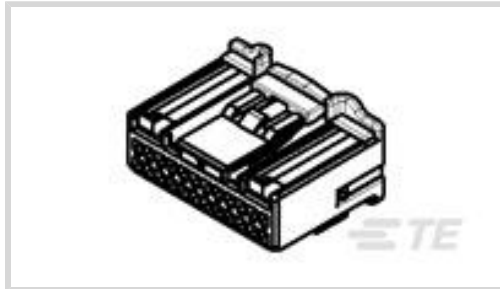
TE Internal #: 1379668-1

Housing for Female Terminals, Wire-to-Board / Wire-to-Wire, 24 Position, .087 in [2.2 mm] Centerline, Black, Wire & Cable, TH/.025 Connector System

[View on TE.com >](#)



Connectors > Automotive Connectors > Automotive Housings > TH/.025 CONNECTOR SYSTEM, HOUSING



Connector System: **Wire-to-Board, Wire-to-Wire**

Number of Positions: **24**

Connector & Housing Type: **Housing for Female Terminals**

Centerline (Pitch): **2.2 mm [ .087 in ]**

Sealable: **No**

[All TH/.025 CONNECTOR SYSTEM, HOUSING \(217\)](#)

## Features

### Product Type Features

|                                   |                              |
|-----------------------------------|------------------------------|
| Mixed & Hybrid Connector          | No                           |
| Connector Shape                   | Rectangular                  |
| Connector System                  | Wire-to-Board, Wire-to-Wire  |
| Connector & Housing Type          | Housing for Female Terminals |
| Sealable                          | No                           |
| Connector & Contact Terminates To | Wire & Cable                 |
| Primary Locking Feature           | On the Terminal              |

### Configuration Features

|                     |    |
|---------------------|----|
| Number of Positions | 24 |
| Number of Rows      | 2  |

### Electrical Characteristics

|                              |            |
|------------------------------|------------|
| Operating Voltage            | 14 VDC     |
| Nominal Voltage Architecture | 12 V, 14 V |

### Body Features

|                         |       |
|-------------------------|-------|
| Cable Exit Angle        | 180°  |
| Primary Product Color   | Black |
| Connector & Keying Code | 1     |



### Contact Features

|                              |                 |
|------------------------------|-----------------|
| Contact Size                 | .63mm           |
| Contact Type                 | Receptacle      |
| Mating Tab Width             | .63 mm[.025 in] |
| Contact Current Rating (Max) | 4 A             |

### Mechanical Attachment

|                             |                            |
|-----------------------------|----------------------------|
| Terminal Position Assurance | Yes                        |
| Strain Relief               | Without                    |
| Mating Alignment Type       | Keyed                      |
| Mating Alignment            | With                       |
| Connector Mounting Type     | Cable Mount (Free-Hanging) |

### Housing Features

|                    |                 |
|--------------------|-----------------|
| Housing Material   | PBT             |
| Centerline (Pitch) | 2.2 mm[.087 in] |

### Dimensions

|                    |                   |
|--------------------|-------------------|
| Connector Height   | 15.8 mm[.622 in]  |
| Product Width      | 21 mm[.827 in]    |
| Product Length     | 28.6 mm[1.126 in] |
| Row-to-Row Spacing | 3 mm[.118 in]     |

### Usage Conditions

|                             |   |
|-----------------------------|---|
| Operating Temperature (Max) | 70 °C, 75 °C, 80 °C, 85 °C, 90 °C, 100 °C<br>[158 °F][167 °F][176 °F][185 °F][194 °F][212 °F] |
| Operating Temperature Range | -40 – 100 °C[-40 – 212 °F]  |

### Operation/Application

|                     |        |
|---------------------|--------|
| Circuit Application | Signal |
|---------------------|--------|

### Industry Standards

|                        |         |
|------------------------|---------|
| UL Flammability Rating | UL 94HB |
|------------------------|---------|

### Packaging Features

|                    |     |
|--------------------|-----|
| Packaging Quantity | 100 |
| Packaging Method   | Bag |

### Other



|                                      |     |
|--------------------------------------|-----|
| Serviceable                          | Yes |
| Connector Position Assurance Capable | No  |

### Product Compliance

[For compliance documentation, visit the product page on TE.com>](#)

|   |  |
|---|--|
| EU RoHS Directive 2011/65/EU                  | Compliant  |
| EU ELV Directive 2000/53/EC                   | Compliant  |
| China RoHS 2 Directive MIIT Order No 32, 2016 | No Restricted Materials Above Threshold  |
| EU REACH Regulation (EC) No. 1907/2006        | Current ECHA Candidate List: JUNE 2023 (235)<br>Candidate List Declared Against: JUL 2021 (219)<br>Does not contain REACH SVHC |
| Halogen Content                               | Low Halogen - Br, Cl, F, I < 900 ppm per homogenous material. Also BFR/CFR/PVC Free  |
| Solder Process Capability                     | Not applicable for solder process capability   |

#### Product Compliance Disclaimer

This information is provided based on reasonable inquiry of our suppliers and represents our current actual knowledge based on the information they provided. This information is subject to change. The part numbers that TE has identified as EU RoHS compliant have a maximum concentration of 0.1% by weight in homogenous materials for lead, hexavalent chromium, mercury, PBB, PBDE, DBP, BBP, DEHP, DIBP, and 0.01% for cadmium, or qualify for an exemption to these limits as defined in the Annexes of Directive 2011/65/EU (RoHS2). Finished electrical and electronic equipment products will be CE marked as required by Directive 2011/65/EU. Components may not be CE marked. Additionally, the part numbers that TE has identified as EU ELV compliant have a maximum concentration of 0.1% by weight in homogenous materials for lead, hexavalent chromium, and mercury, and 0.01% for cadmium, or qualify for an exemption to these limits as defined in the Annexes of Directive 2000/53/EC (ELV). Regarding the REACH Regulation, the information TE provides on SVHC in articles for this part number is based on the latest European Chemicals Agency (ECHA) 'Guidance on requirements for substances in articles' posted at this URL: <https://echa.europa.eu/guidance-documents/guidance-on-reach>

### Compatible Parts



TE Part # 1379604-1  
24W TH HEADER ASSY BLACK



TE Part # CAT-T319-T273  
TH/.025 CONNECTOR SYSTEM,  
RECPT AND TAB



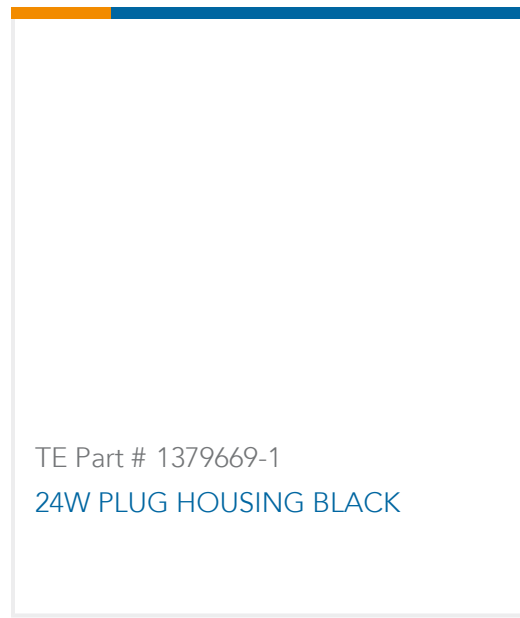
TE Part # 1379681-1  
24W TAB HSG ASSY BLACK



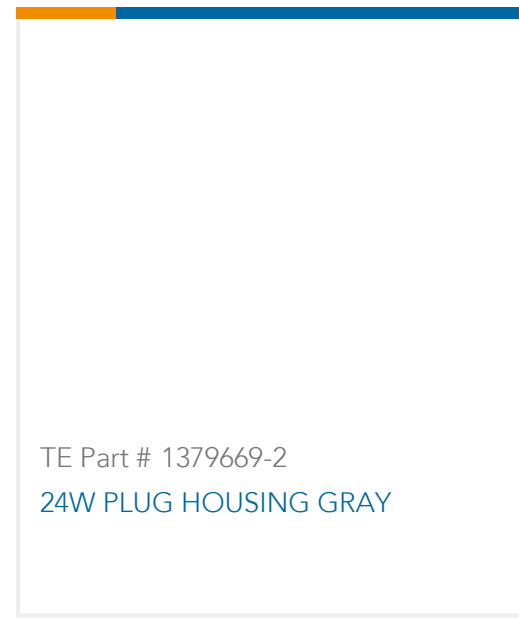
TE Part # 1802828-1  
24W TH HEADER ASSY BLACK



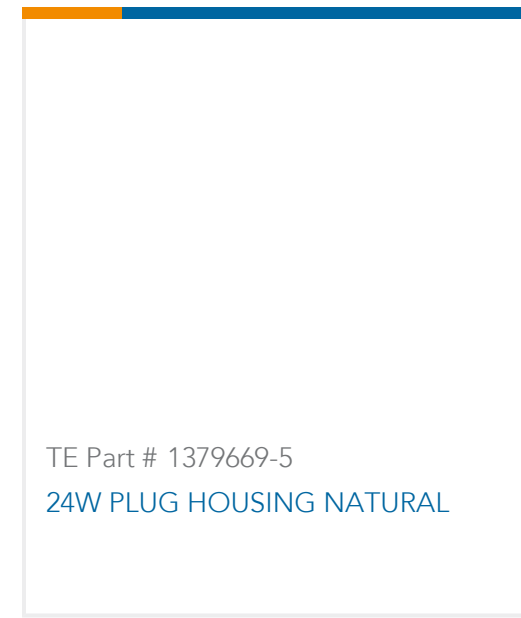
TE Part # 2174150-1  
025 CAP HSG ASSY 24P



TE Part # 1379669-1  
24W PLUG HOUSING BLACK

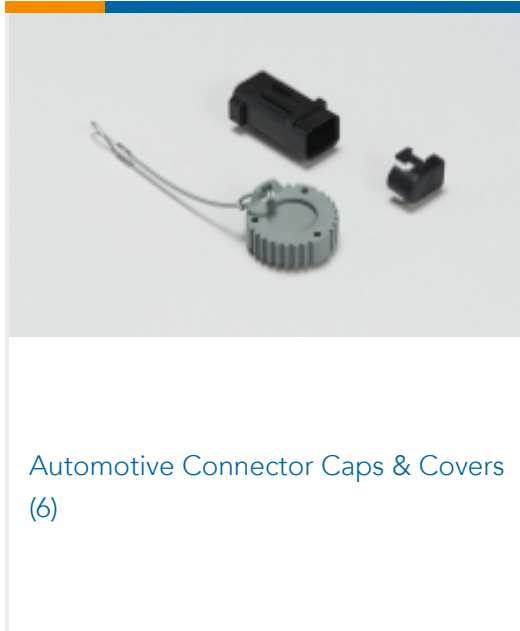


TE Part # 1379669-2  
24W PLUG HOUSING GRAY

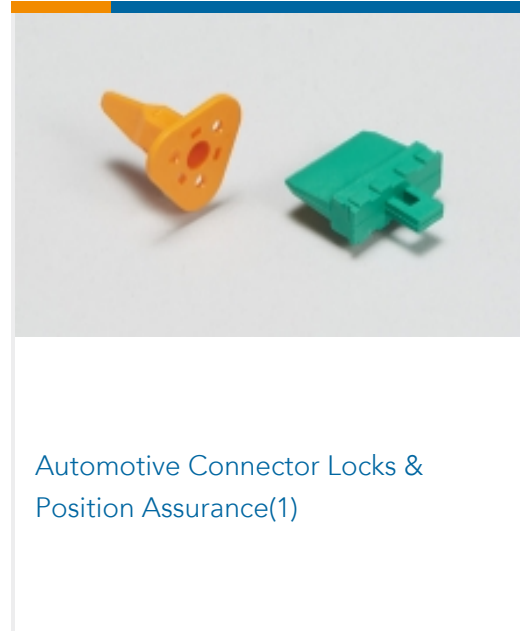


TE Part # 1379669-5  
24W PLUG HOUSING NATURAL

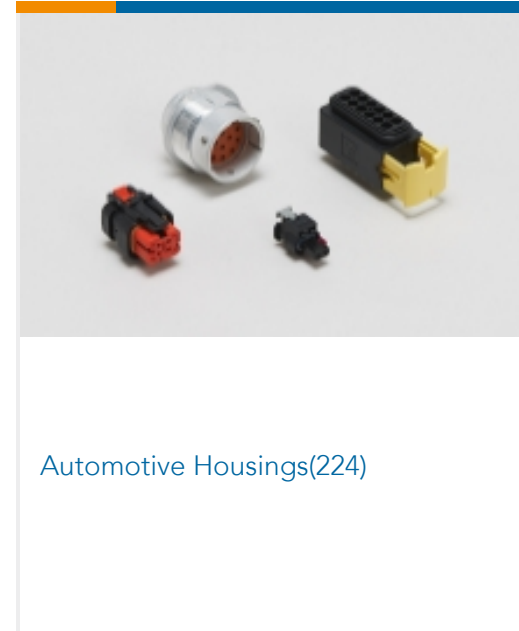
## Also in the Series | TH/.025 Connector System



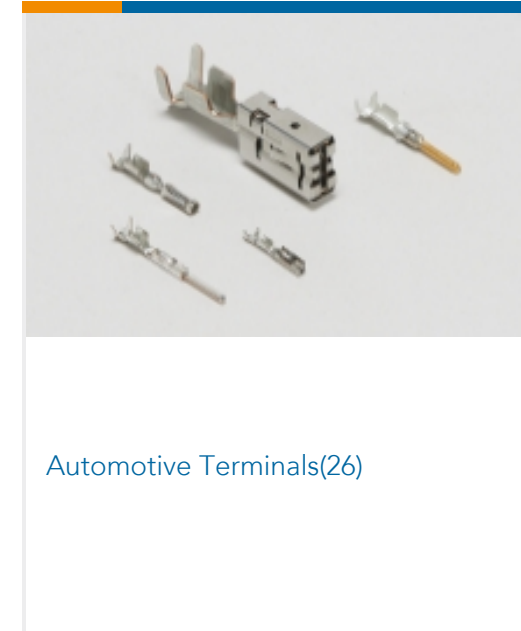
Automotive Connector Caps & Covers (6)



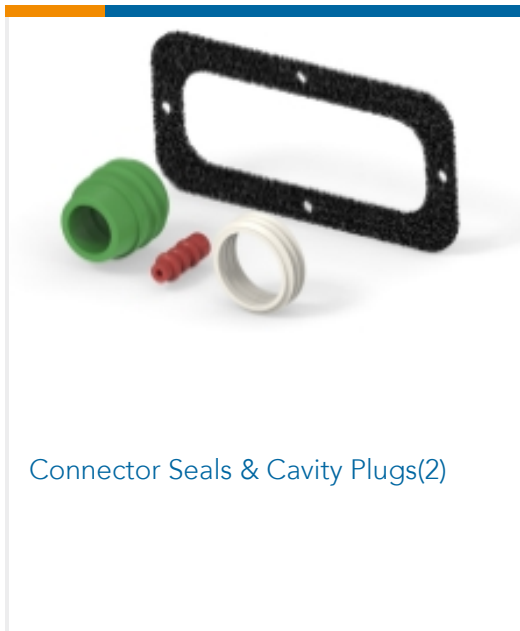
Automotive Connector Locks & Position Assurance(1)



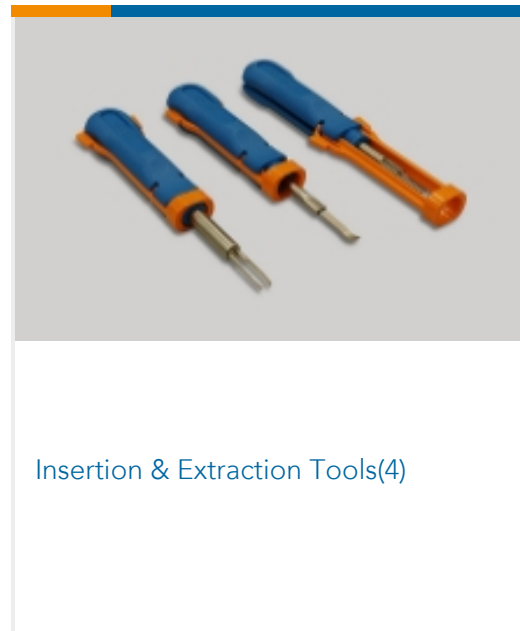
Automotive Housings(224)



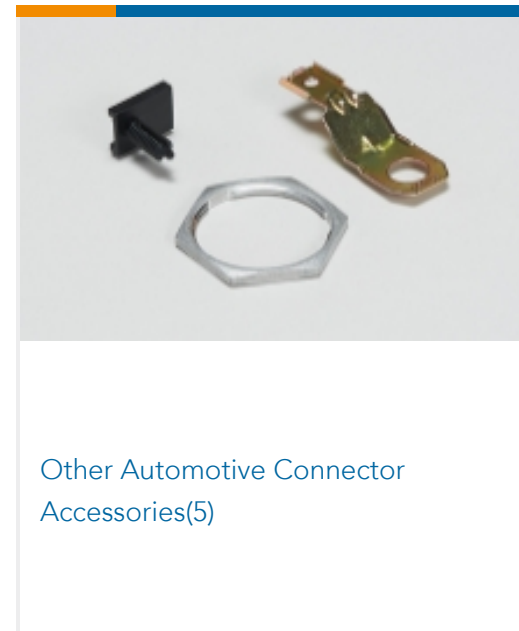
Automotive Terminals(26)



Connector Seals & Cavity Plugs(2)



Insertion & Extraction Tools(4)



Other Automotive Connector Accessories(5)



PCB Headers & Receptacles(163)

## Customers Also Bought



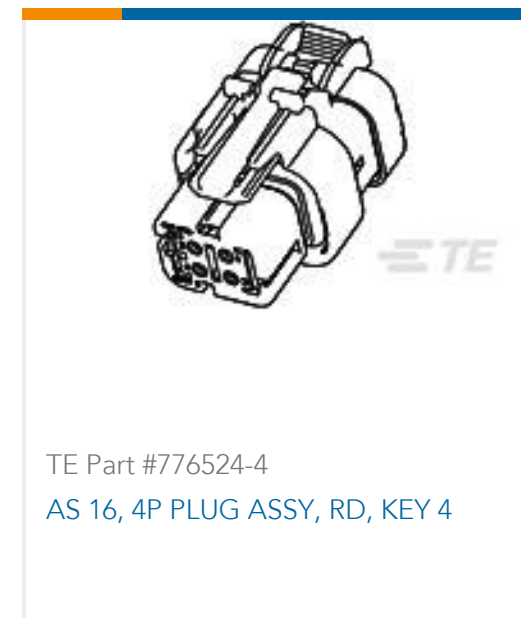
TE Part #1456985-1  
1X6 Fem unsealed LP assy Key B



TE Part #144433-1  
TIMER, RECEPTACLE AND TAB



TE Part #3-1419158-1  
GET MALE TERM, A, AU



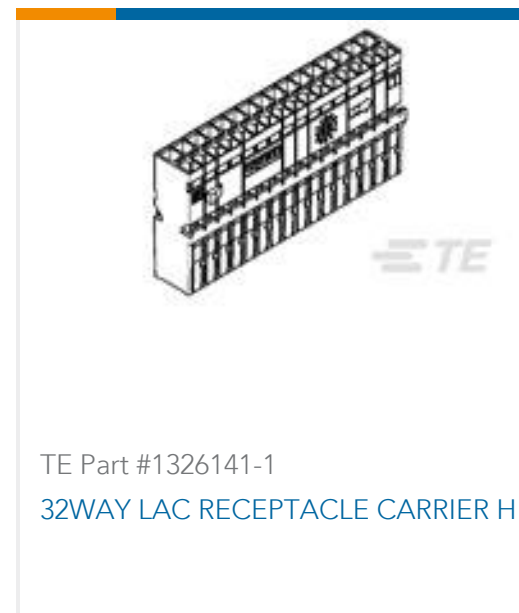
TE Part #776524-4  
AS 16, 4P PLUG ASSY, RD, KEY 4



TE Part #1379681-1  
24W TAB HSG ASSY BLACK



TE Part #4-953893-1  
8POS MIXED MQS REC



TE Part #1326141-1  
32WAY LAC RECEPTACLE CARRIER H



TE Part #1-2103177-1  
PLUG ASSY, KEY A, TA, HVA280-2PHI XE



## Documents

### Product Drawings

#### 24W PLUG HSG ASSY BLACK

English

### CAD Files

#### 3D PDF

3D

#### Customer View Model

[ENG\\_CVM\\_CVM\\_1379668-1\\_F.2d\\_dxf.zip](#)

English

#### Customer View Model

[ENG\\_CVM\\_CVM\\_1379668-1\\_F.3d\\_igs.zip](#)

English

#### Customer View Model

[ENG\\_CVM\\_CVM\\_1379668-1\\_F.3d\\_stp.zip](#)

English

By downloading the CAD file I accept and agree to the [Terms and Conditions](#) of use.

### Datasheets & Catalog Pages

#### TH/.025 Connector Series

English

### Product Specifications

#### Packaging specification for TH Tab en Plug (TH TES)

English

#### Product Specification

English

### Instruction Sheets

#### Instruction Sheet (non U.S.)

English