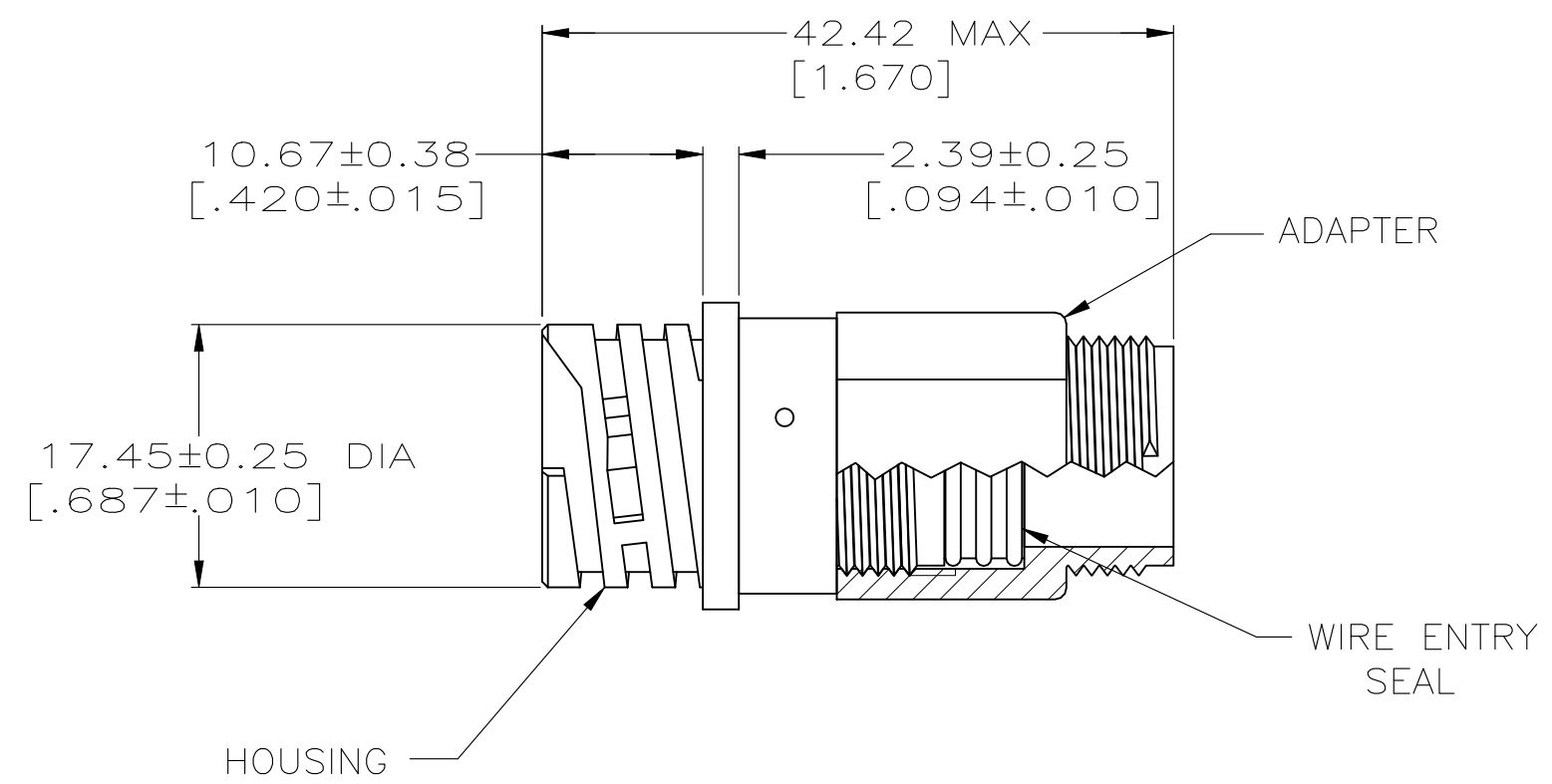
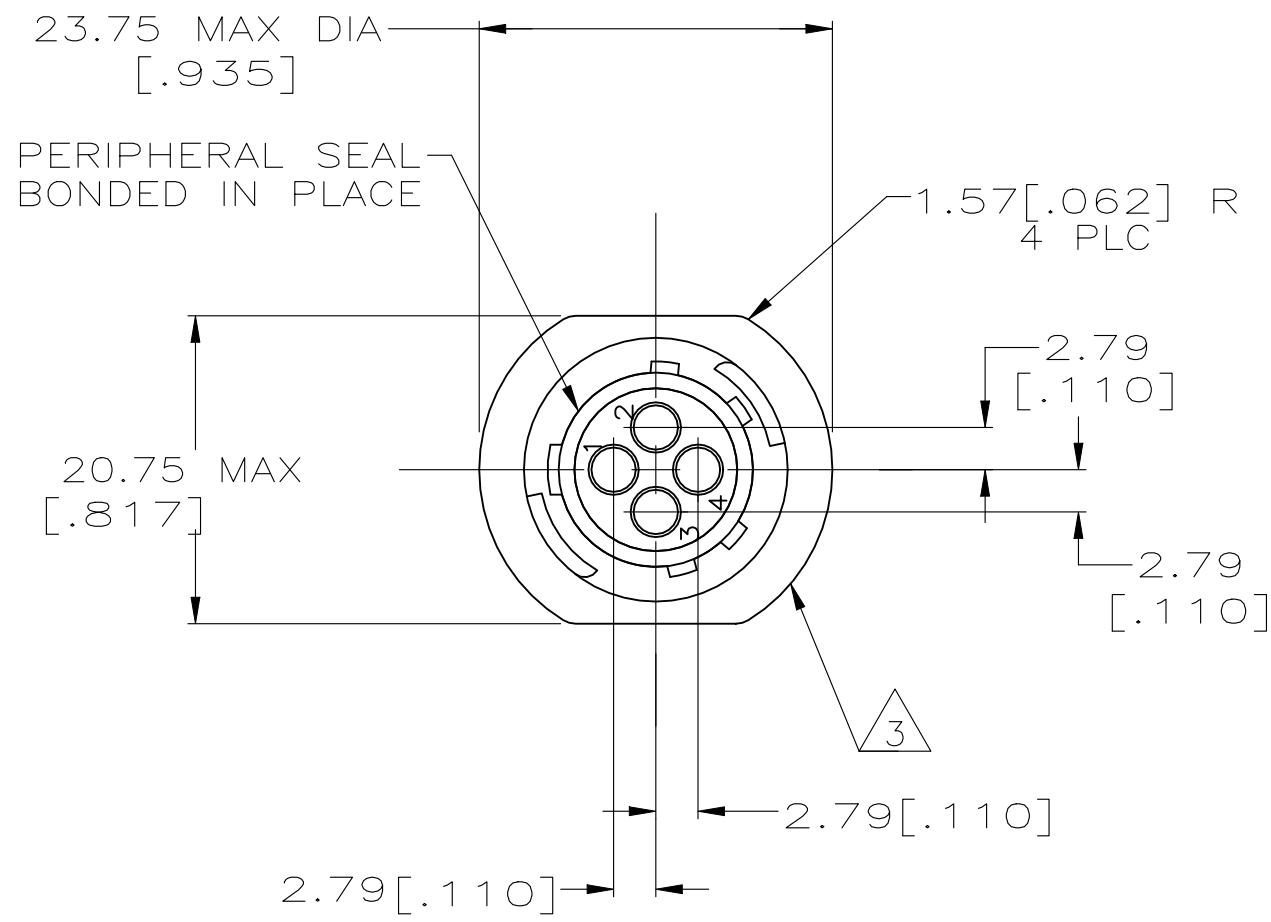



REVISIONS				
P	LTR	DESCRIPTION	DATE	APVD
	B	REVISED PER ECO-21-006945	28OCT2021	RK MZ



788155-2

PART NUMBER

- ① HOUSING & ADAPTER: NYLON 6/6, BLACK.
WIRE ENTRY SEAL: ELASTOMER, RED.
- 2. THIS CONNECTOR WILL ACCEPT
FOUR (4) MULTIMATE SOCKET CONTACTS.
- ③ TE LOGO AND PART NUMBER LOCATED ON
ANY FLANGE EDGE

THIS DRAWING IS A CONTROLLED DOCUMENT.		DWN P.BENNINGHOVE 01 OCT 97	 TE Connectivity														
DIMENSIONS: MM [INCHES]		CHK K.DOWHOWER 28 OCT 99															
TOLERANCES UNLESS OTHERWISE SPECIFIED:		APVD K.DOWHOWER 28 OCT 99	NAME RECEPTACLE ASSEMBLY, 11-4, REVERSE SEX, SERIES I, SEALED, CPC														
<table border="0"> <tr> <td>0 PLC</td> <td>± -</td> </tr> <tr> <td>1 PLC</td> <td>± -</td> </tr> <tr> <td>2 PLC</td> <td>± 0.13 [.005]</td> </tr> <tr> <td>3 PLC</td> <td>± -</td> </tr> <tr> <td>4 PLC</td> <td>± -</td> </tr> <tr> <td>ANGLES</td> <td>± -</td> </tr> </table>		0 PLC	± -	1 PLC	± -	2 PLC	± 0.13 [.005]	3 PLC	± -	4 PLC	± -	ANGLES	± -	PRODUCT SPEC 108-1579	DRAWING NO C-788155		
0 PLC	± -																
1 PLC	± -																
2 PLC	± 0.13 [.005]																
3 PLC	± -																
4 PLC	± -																
ANGLES	± -																
MATERIAL -		FINISH -	APPLICATION SPEC 114-10038	SIZE A3	CAGE CODE 00779												
			WEIGHT -	RESTRICTED TO -													
			CUSTOMER DRAWING		SCALE 2:1												
					SHEET 1 OF 1												
					REV B												

Mouser Electronics

Authorized Distributor

Click to View Pricing, Inventory, Delivery & Lifecycle Information:

[TE Connectivity:](#)

[788155-2](#)