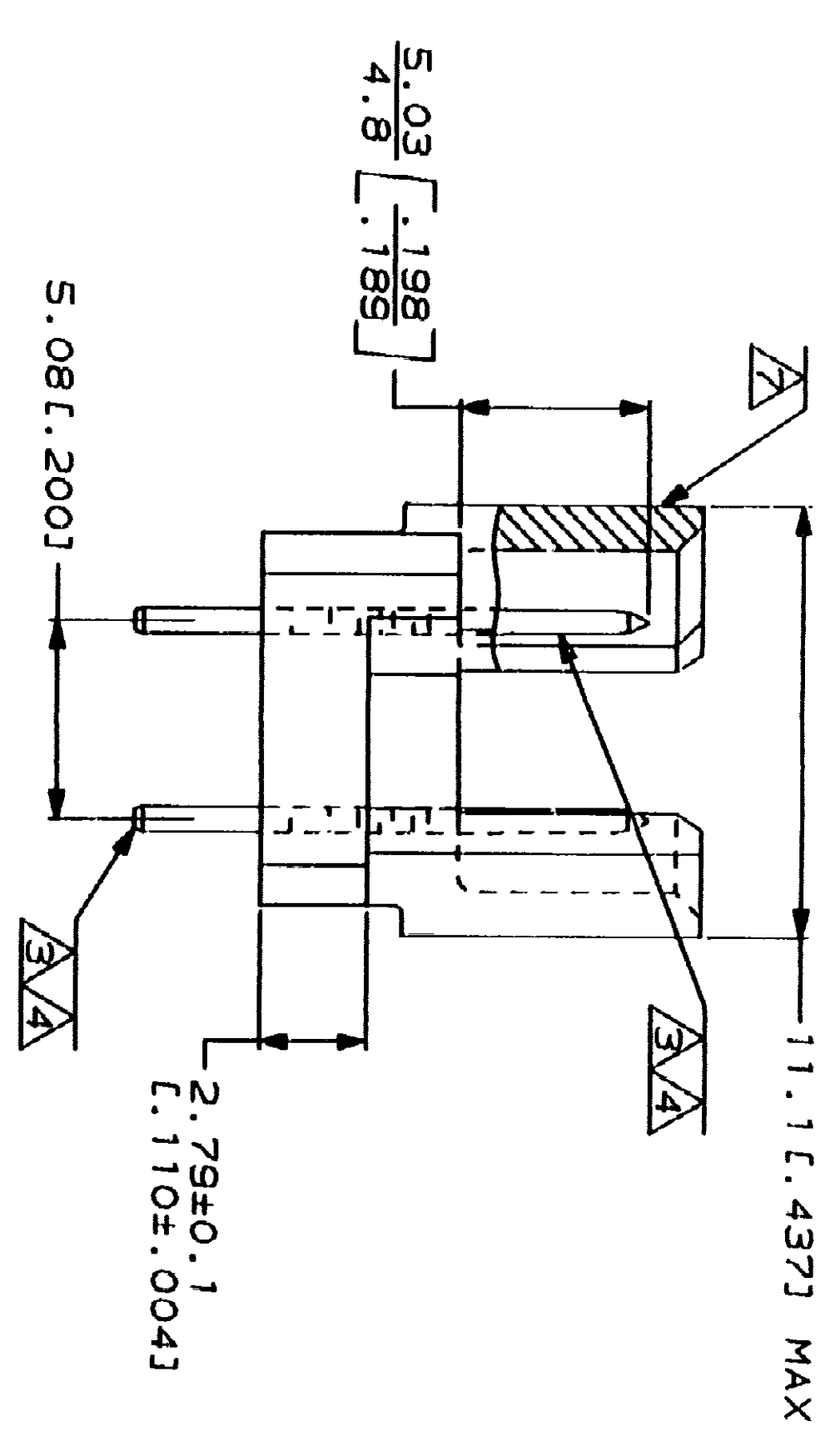
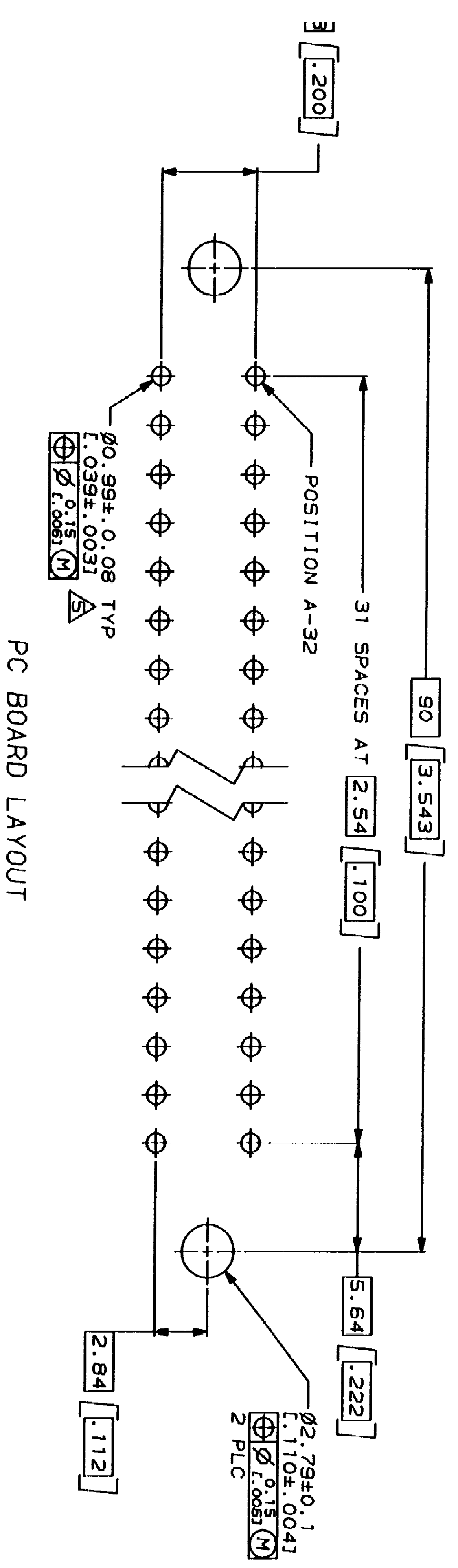
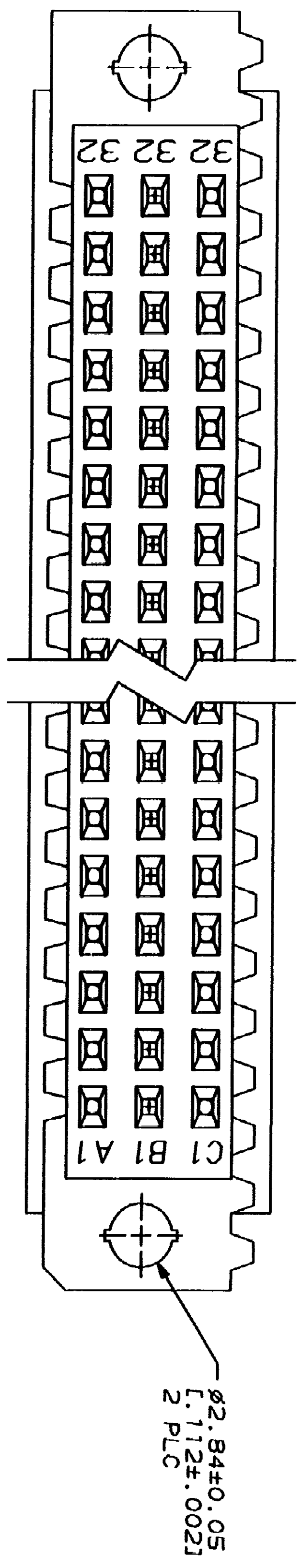
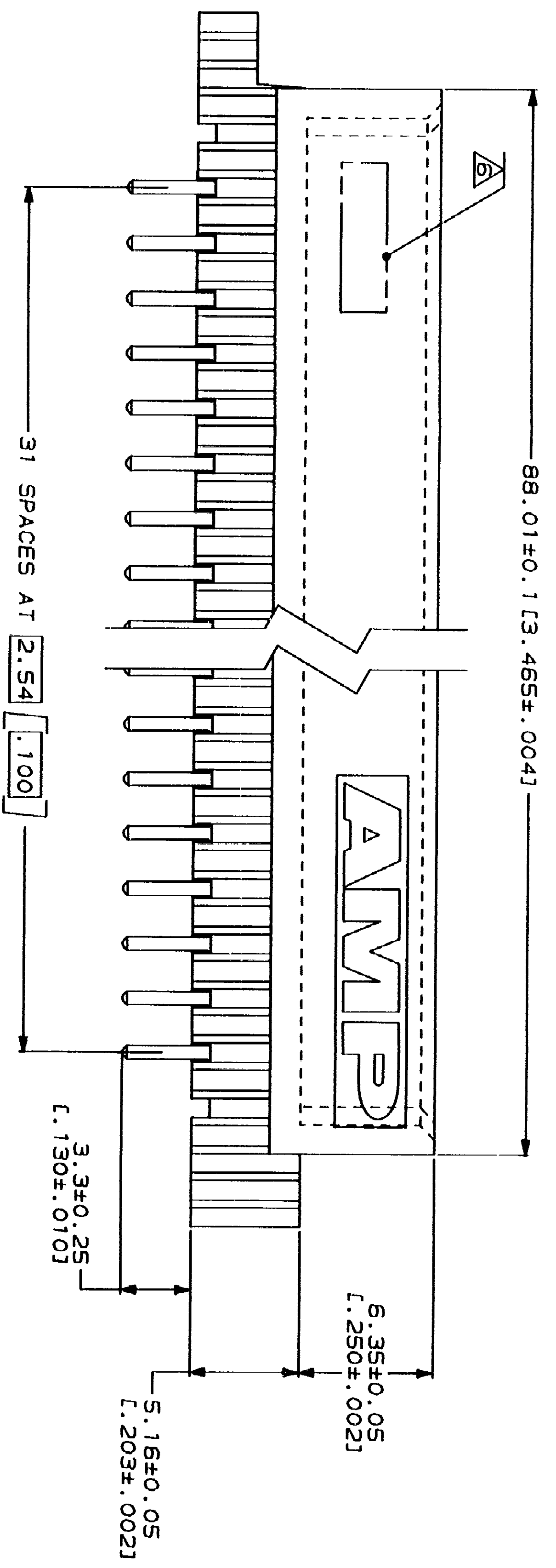
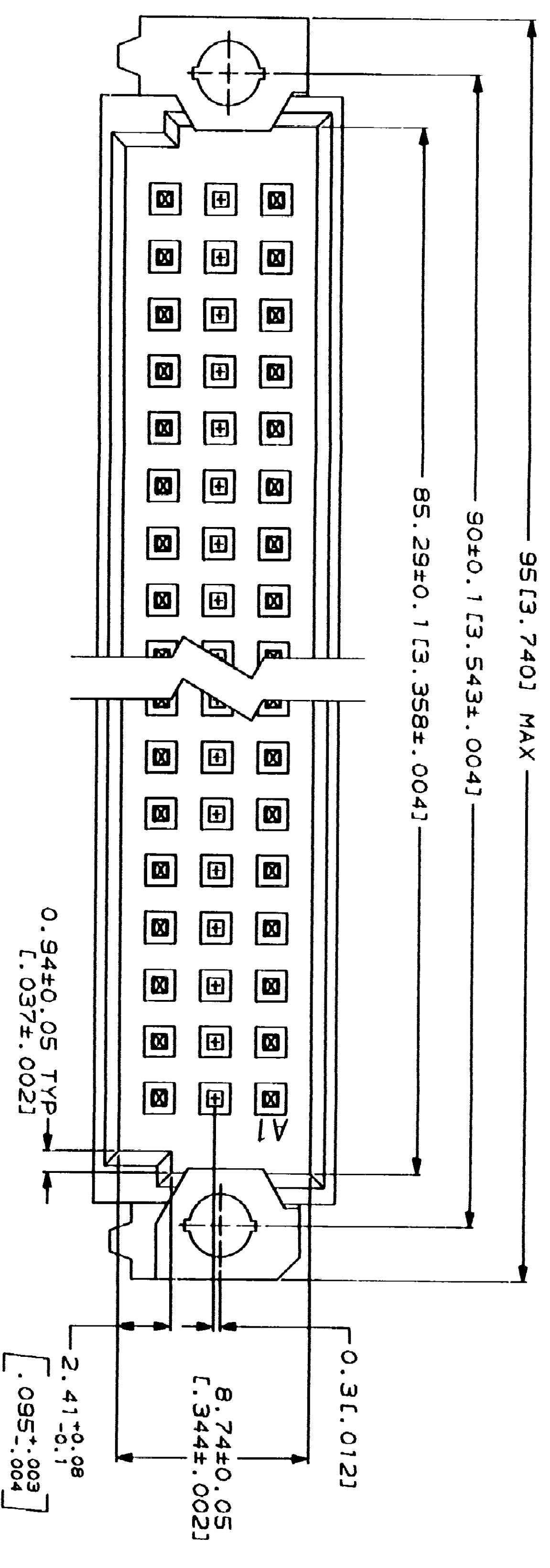


DATE	APPD
6/10/91	LSB
11/14/91	LSB
12/26/91	LSB
6/2/92	LSB
11/2/93	LSB
3/25/94	LSB

REV	DATE	DESCRIPTION
0		DRAWN
B		ECN AD5586, AD5640
C		ECN AD5676
D		ECN AD5671
E		ECN AD6256
F		EC 0010-1559-93
G		EC 0010-0436-94



- △ HOUSING MATERIAL: GLASS-FILLED POLYESTER. COLOR: GRAY.
- △ POST MATERIAL: BRASS.
- △ POST FINISH: DIN 41612 CLASS 3 IN CONTACT AREA.
- △ TIN-LEAD PLATE ON POSTS.
- △ POST FINISH: DIN 41612 CLASS 2 IN CONTACT AREA.
- △ TIN-LEAD PLATE ON POSTS.
- △ RECOMMENDED HOLE SIZE FOR MANUAL APPLICATION OF CONNECTOR ONTO PC BOARD.
- △ [PART NUMBER, DATE CODE] MARKED THIS APPROXIMATE AREA.
- △ MARKING ON THIS SIDE.

SUPERSEDED BY 650933-5

REV	DATE	DESCRIPTION	NO. OF POSITIONS LOADED	NO. OF POSITIONS
A	1-32		X	64
			X	64

NOTES: POSITIONS LOADED C B A; ROWS LOADED

DO NOT SCALE PRINT.	OR	DATE	NAME
UNLESS SPECIFIED (DIMENSIONS IN MILLIMETERS)	L. BRINER	3/18/91	AMP
1 P.L.C. DEC ± .01	D.C. RUBENDALL	3/26/91	AMP
2 P.L.C. DEC ± 0.131 (0.063)	D.C. RUBENDALL	3/26/91	AMP
ANGLES ± .1	K.R. PARTNER	3/26/91	AMP
MATERIAL HSG	PRODUCT SPEC		
POST			
FINISH POST			

PIN ASSEMBLY, EURC TYPE "R"

AMP AMP Incorpor. Harrisburg, PA

SIZE D 00779 DRAWING NO 650

SCALE 5:1 SHEET

Mouser Electronics

Authorized Distributor

Click to View Pricing, Inventory, Delivery & Lifecycle Information:

[TE Connectivity:](#)

[650933-5](#)