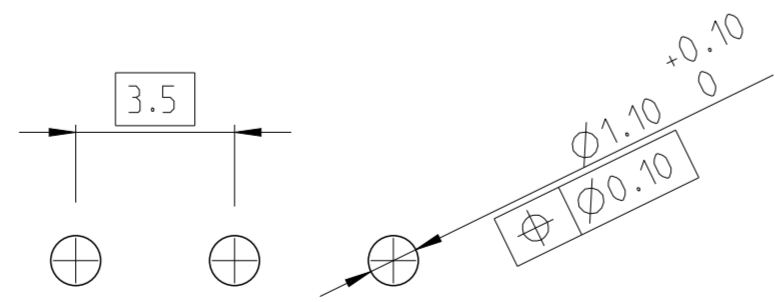
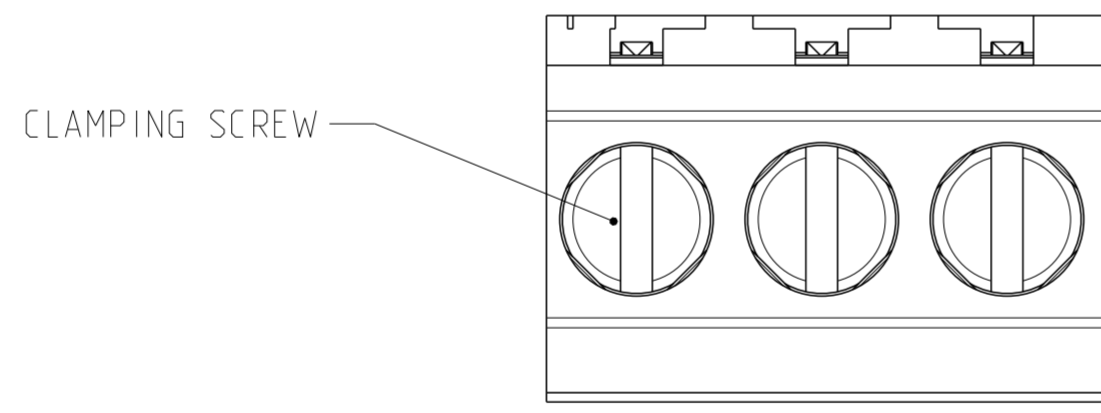
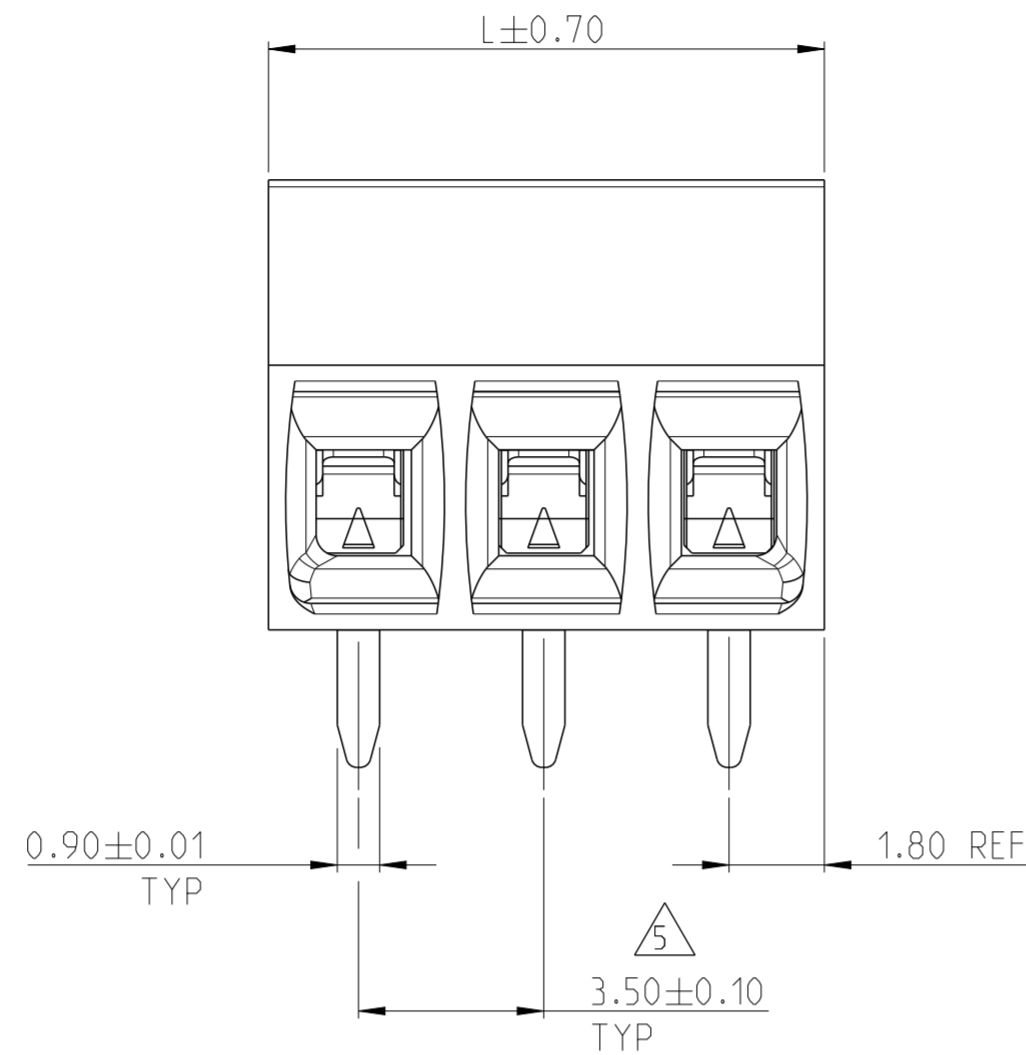
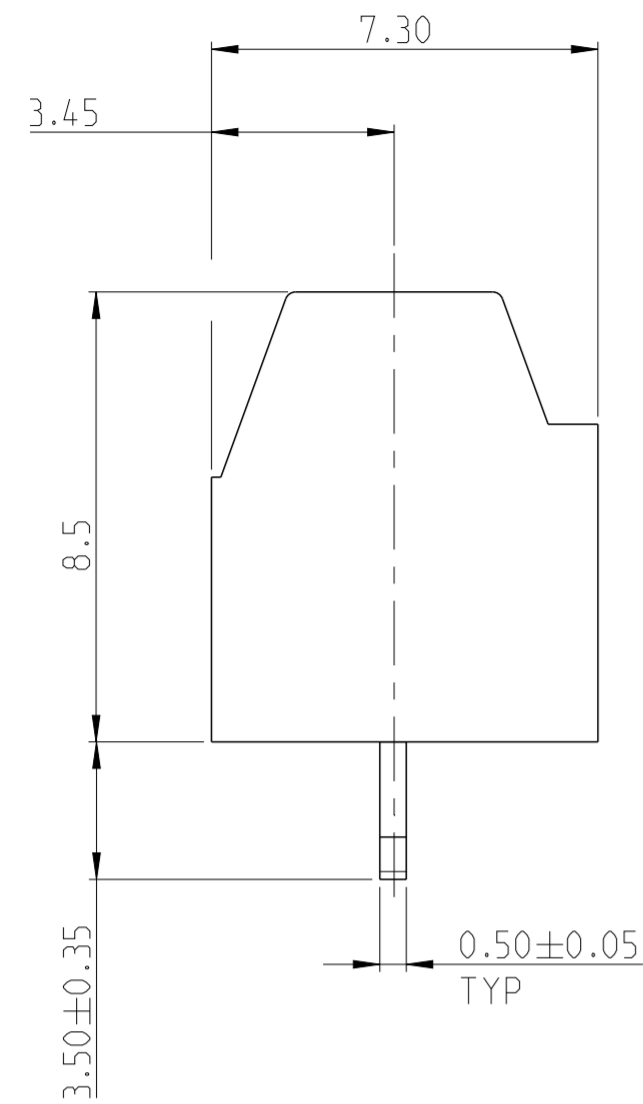


THIS DRAWING IS UNPUBLISHED. RELEASED FOR PUBLICATION 20  
 © COPYRIGHT 20 BY - ALL RIGHTS RESERVED.

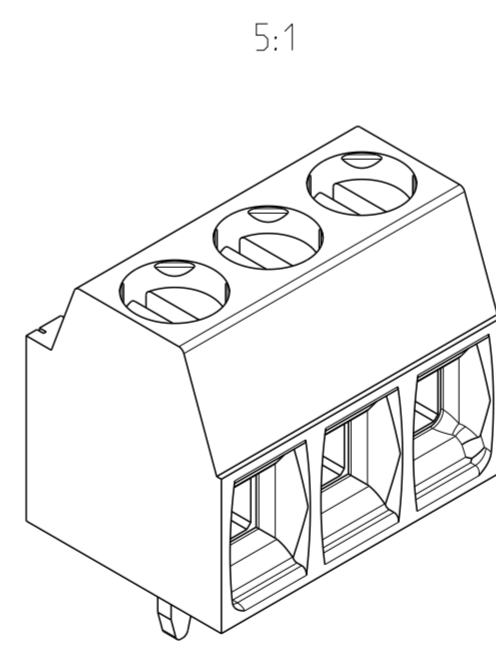
REVISIONS					
P	LTR	DESCRIPTION	DATE	DWN	APVD
B		PACKAGING CHANGED FROM BLACK POLYURETHANE SPONGE TO TRAY	26FEB2018	RK	PS



RECOMMENDED PC BOARD LAYOUT

NOTES:

- MATERIALS AND FINISH:  
 HOUSING : PA 6-6, UL 94 VO-RATED, COLOR: GREEN.  
 TERMINAL : COPPER ALLOY, TIN PLATED.  
 CLAMP : COPPER ALLOY, NICKEL PLATED.  
 CLAMPING SCREW : M2, COPPER ALLOY, NICKEL PLATED.
  - MECHANICAL  
 WIRE STRIPPING LENGTH : 5.0-6.0 mm  
 MIN. PC BOARD HOLES DIAMETER : 1.1 mm  
 MAX. PC BOARD THICKNESS : 2.4 mm  
 RECOMMENDED TIGHTENING TORQUE FOR SCREW: 0.2 Nm.
  - ELECTRICAL  
 WIRE RANGE : 16-28 AWG  
 MAX. VOLTAGE : 300 V  
 MAX CURRENT : 12 A  
 CONTACT RESISTANCE : < 15 m Ohm  
 INSULATION RESISTANCE : > 1000 M Ohm (500V DC)
  - OPERATING TEMPERATURE RANGE: -40°C TO +110°C
- 5 TOLERANCE NOT CUMULATIVE.  
 6 HOUSING COLOUR IS GREEN  
 7 HOUSING COLOUR IS BLACK
8. PACKED IN TRAY.



1546551-3 AS SHOWN

OBSOLETE	87.50	25		<del>1-1546551-7</del>
	84.00	24		<del>2-1546551-4</del>
	80.50	23		<del>2-1546551-3</del>
	77.00	22		<del>2-1546551-2</del>
	73.50	21		<del>2-1546551-1</del>
	70.00	20		<del>2-1546551-0</del>
	66.50	19		<del>1-1546551-9</del>
	63.00	18		<del>1-1546551-8</del>
	59.50	17		<del>1-1546551-7</del>
	56.00	16		<del>1-1546551-6</del>
	52.50	15		<del>1-1546551-5</del>
	49.00	14		<del>1-1546551-4</del>
	45.50	13		<del>1-1546551-3</del>
	42.00	12		1-1546551-2
	38.50	11		1-1546551-1
	35.00	10		1-1546551-0
	31.50	9		1546551-9
	28.00	8	2842089-8	1546551-8
	24.50	7	2842089-7	1546551-7
	21.00	6	2842089-6	1546551-6
17.50	5	2842089-5	1546551-5	
14.00	4	2842089-4	1546551-4	
10.50	3	2842089-3	1546551-3	
7.00	2	2842089-2	1546551-2	
L	NO OF POSN	7 TE PART NUMBER	6 TE PART NUMBER	

THIS DRAWING IS A CONTROLLED DOCUMENT. DWN S. WELDON 30APR2003  
 CHK C. RICHARD 30APR2003  
 APVD C. RICHARD 30APR2003

**STE** TE Connectivity

NAME: TERMINAL BLOCK, PCB MOUNT, STRAIGHT, 8.5mm PROFILE, SIDE WIRE ENTRY, 3.5mm PITCH

SIZE: A2 CAGE CODE: - DRAWING NO: C-1546551 RESTRICTED TO: -

MATERIAL: SEE NOTES TOLERANCES UNLESS OTHERWISE SPECIFIED: SEE NOTES

0 PLC ±  
 1 PLC ±0.3  
 2 PLC ±0.25  
 3 PLC ±  
 4 PLC ±  
 ANGLES ±  
 FINISH ±

WEIGHT: -

CUSTOMER DRAWING SCALE: 7:1 SHEET: 1 OF 1 REV: B

# Mouser Electronics

Authorized Distributor

Click to View Pricing, Inventory, Delivery & Lifecycle Information:

[TE Connectivity:](#)

[1546551-3](#)