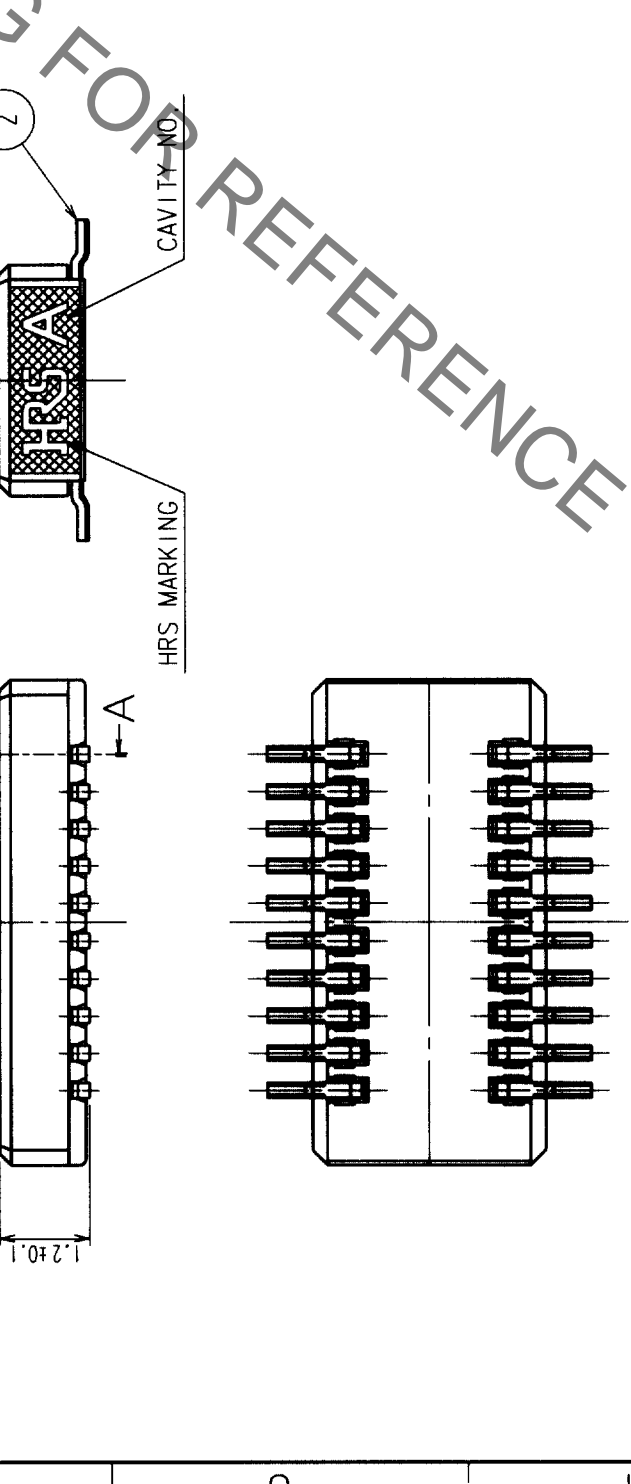
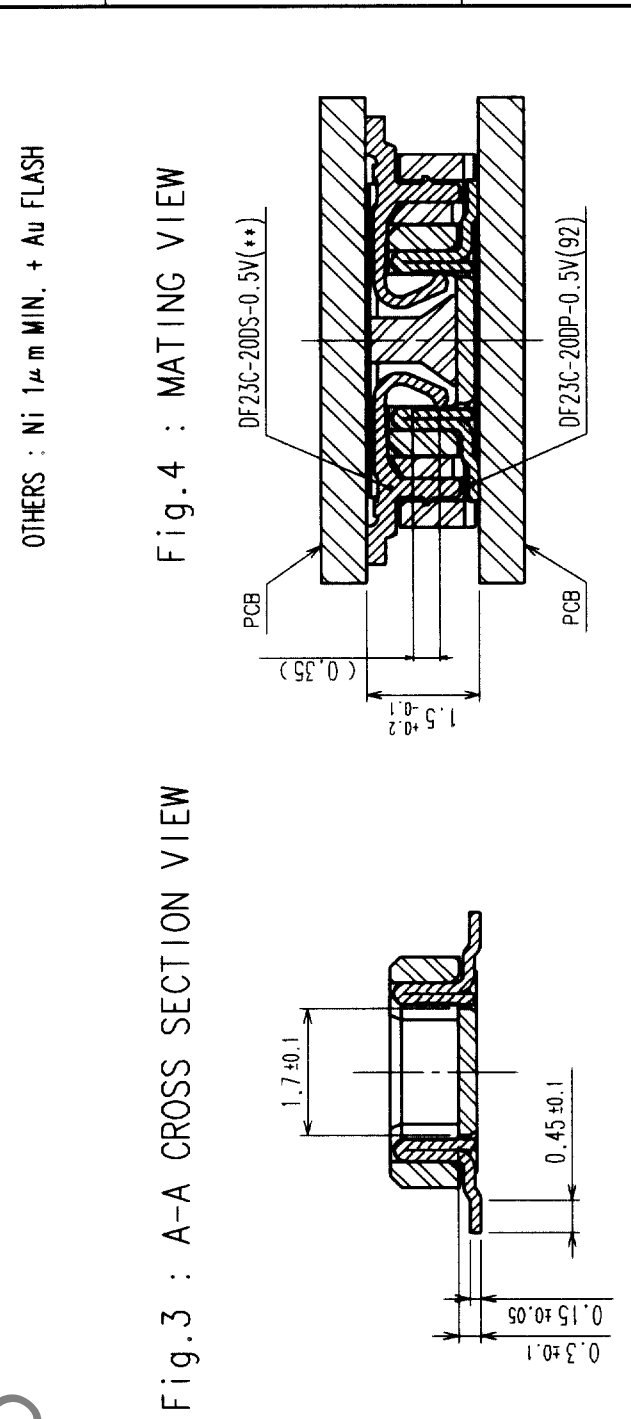
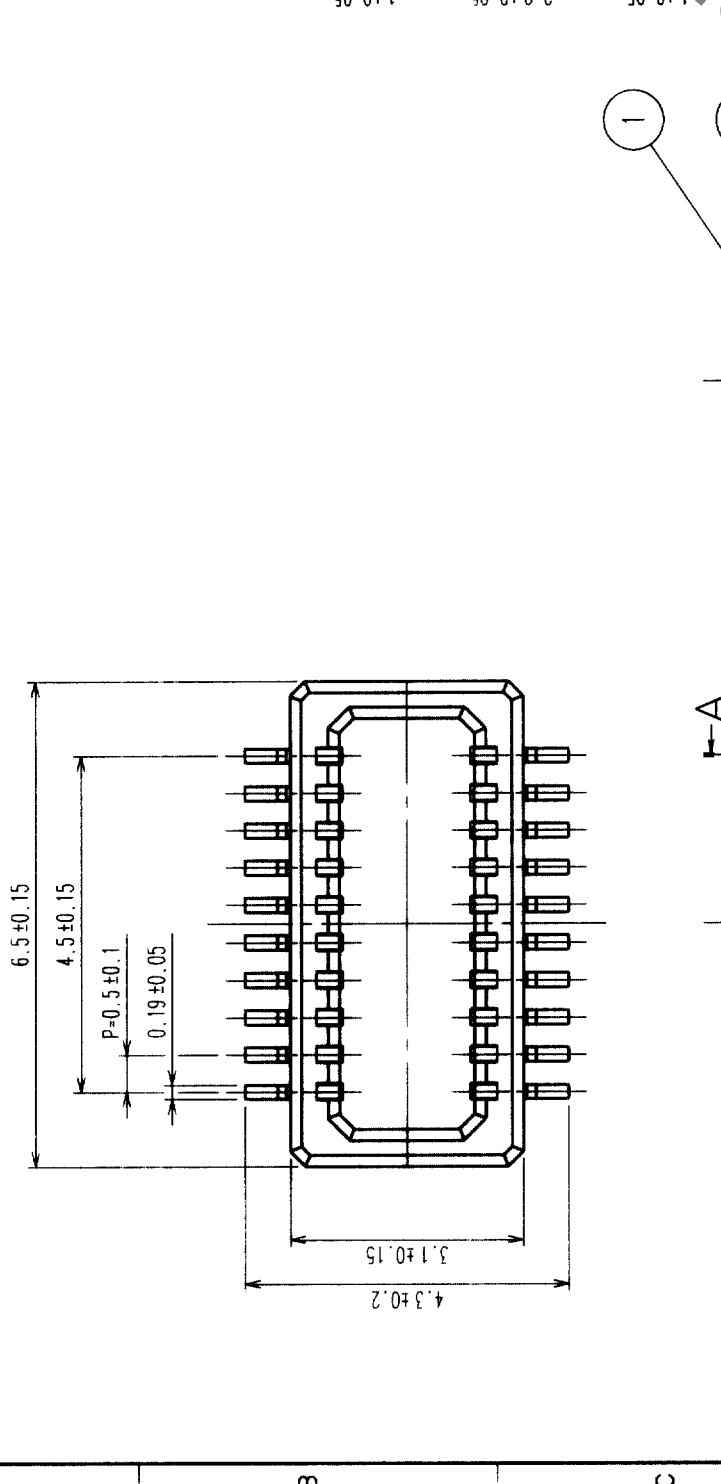
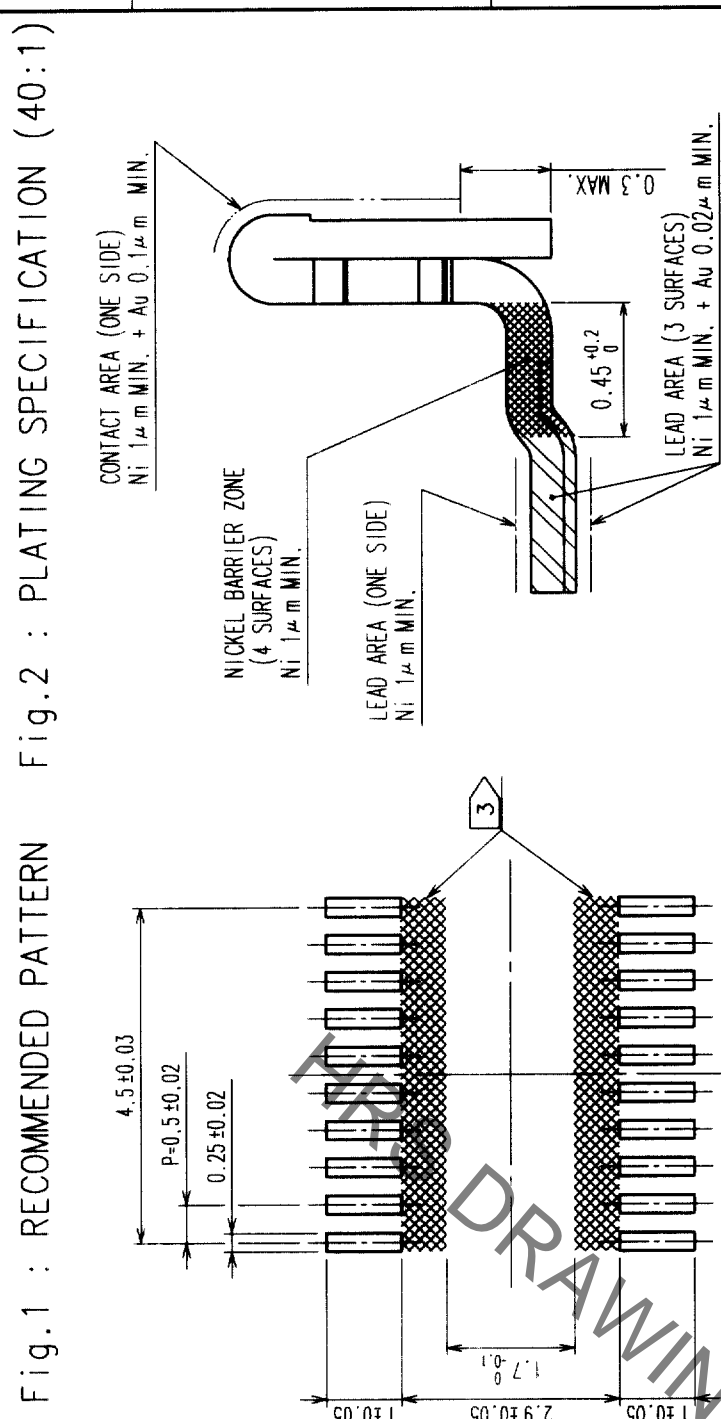


COUNT	DESCRIPTION OF REVISIONS	BY	CHKD	DATE	COUNT	DESCRIPTION OF REVISIONS	BY	CHKD	DATE



2	PHOSPHOR BRONZE	2	POLYESTER	CLEAR	CLEAR
1	LCP	3	PS	CLEAR	CLEAR
NO.	MATERIAL	FINISH, REMARKS	NO.	MATERIAL	FINISH, REMARKS
CODE NO. (OLD)		DRAWN		CHECKED	APPROVED
		F. Matsuki		T. Yamamoto	T. Sakata
		'03.12.11		'03.12.11	'03.12.11
DRAWING NO.		PART NO.			
EDC3-164003-03		DF23C-20DP-0.5V(92)			
SCALE		CODE NO.			
10 : 1		CL688-0801-8-92			
UNITS					
mm					

NOTES 1 LEAD CO-PLANARITY SHALL BE 0.1mm MAX.  
 2 BLACK, UL94V-0  
 3 WHEN A PART MARKED WITH HAS A PATTERN BUT NO RESIST ON IT, TAKE CARE TO PREVENT THE CONNECTOR FROM TOUCHING IT.

TO									
----	--	--	--	--	--	--	--	--	--

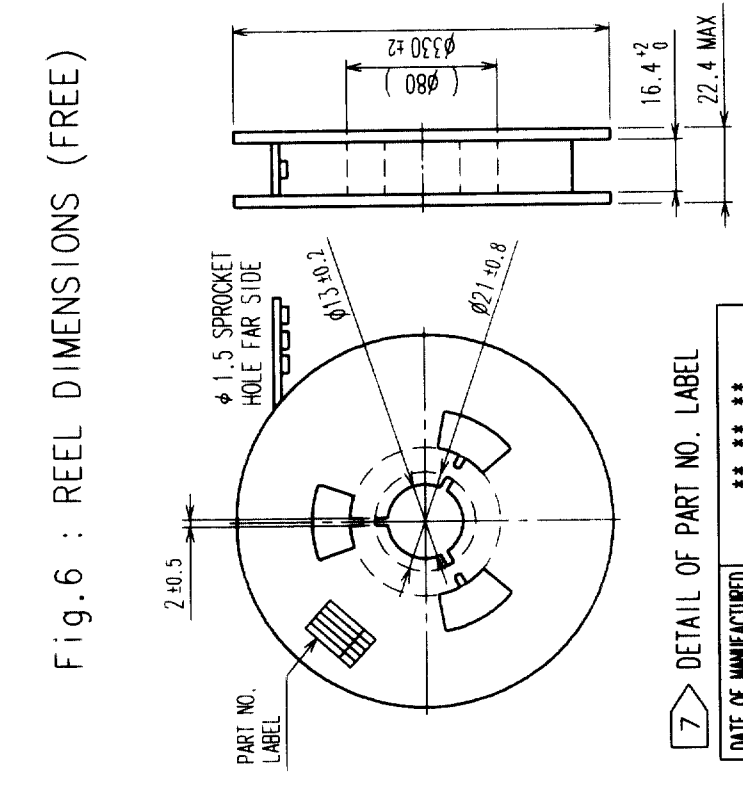
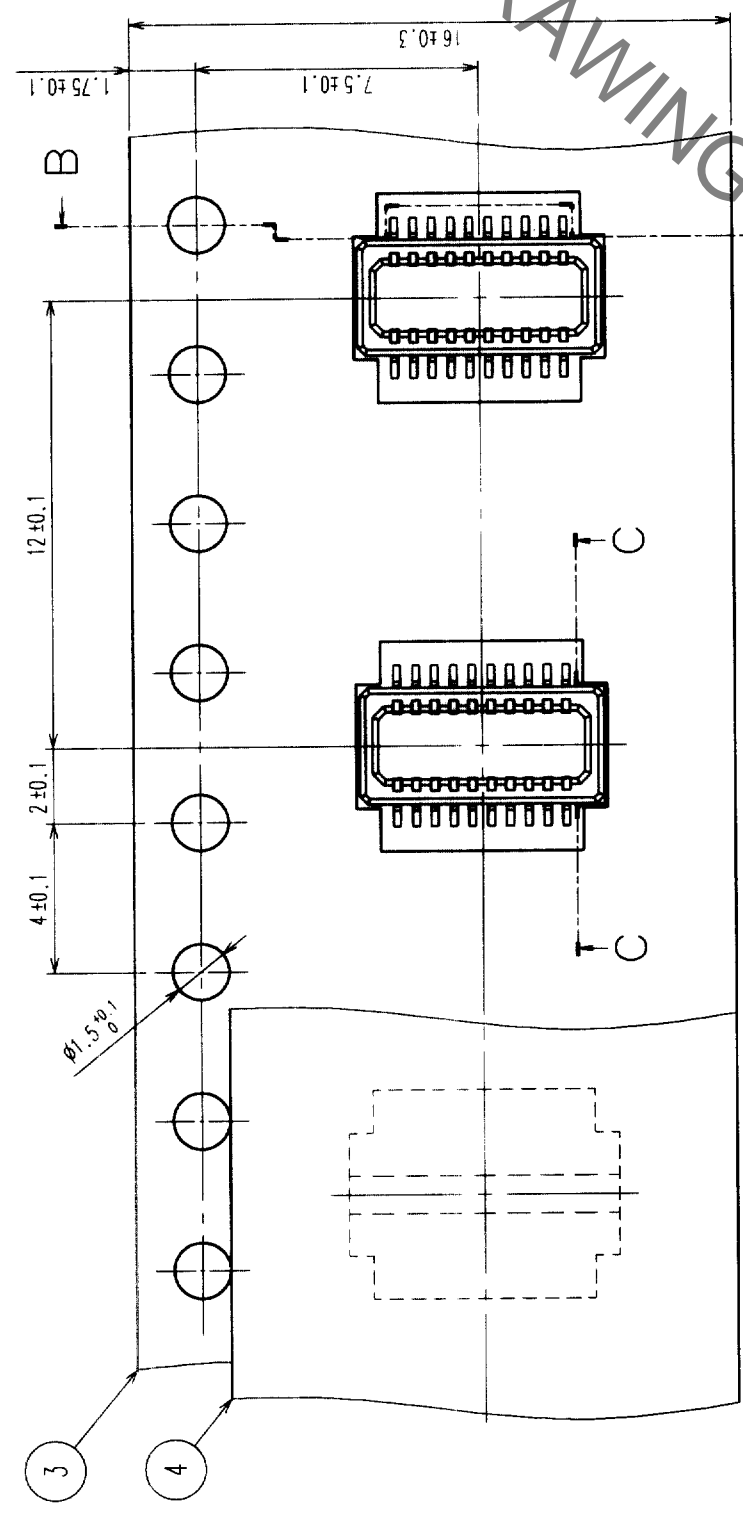
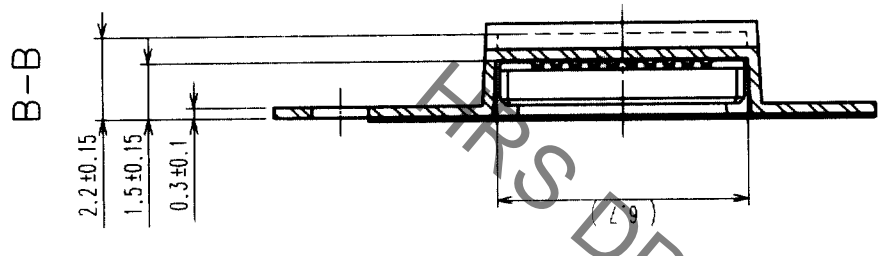


Fig. 6 : REEL DIMENSIONS (FREE)

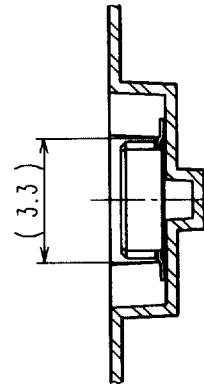
7 DETAIL OF PART NO. LABEL

DATE OF MANUFACTURED	*** ** *
CODE NO.	CL688-0801-8-92
PART NO.	DF23C-20DP-0.5V(92)
QUANTITY	2000
SUPPLIER	HIROSE ELECTRIC CO., LTD.

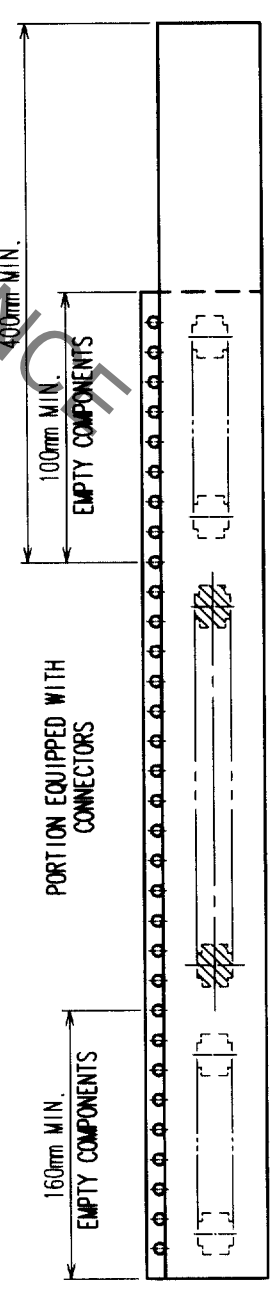


DIRECTION OF UNREELING

C-C



6 Fig. 5 : TAPING (FREE)



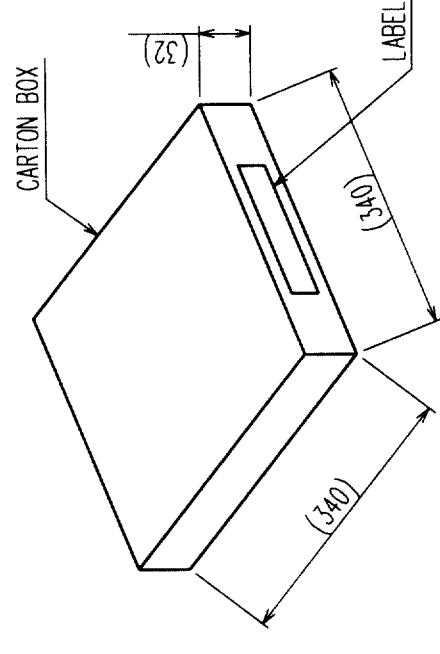
TRAILER

LEADER

NOTES  
 4 PER REEL 2000 CONNECTORS  
 5 THE DIMENSIONS IN PARENTHESES ARE FOR REFERENCE.  
 6 REFER TO JIS C 0806  
 (PACKAGING OF COMPONENTS FOR AUTOMATIC HANDLING)  
 7 DETAIL OF PART NO. LABEL IS WRITTEN IN JAPANESE.

Fig. 7 : PACKAGING SPECIFICATION (FREE)

PACKAGING DIMENSION



DETAIL OF LABEL

CODE NO.	NUMBER OF REELS PER BOX
品名 688-0801-8-92	1RL
数量 DF23C-20DP-0.5V(92)	QTY 2000
PART NO.	NUMBER OF PRODUCTS PER REEL

TO	

CODE NO. (OLD)	DRAWN	DESIGNED	CHECKED	APPROVED	RELEASED
	F. Matsuki	T. Yamamoto	T. Saito	T. Saito	
	'03.12.11	'03.12.11	'03.12.11	'03.12.11	
DRAWING NO. EDC3-164003-03	PART NO. DF23C-20DP-0.5V(92)				
SCALE 5 : 1	CODE NO. CL688-0801-8-92				
UNITS ITM	HIROSE ELECTRIC CO., LTD.				



# Mouser Electronics

Authorized Distributor

Click to View Pricing, Inventory, Delivery & Lifecycle Information:

[Hirose Electric:](#)

[DF23C-20DP-0.5V\(92\)](#)