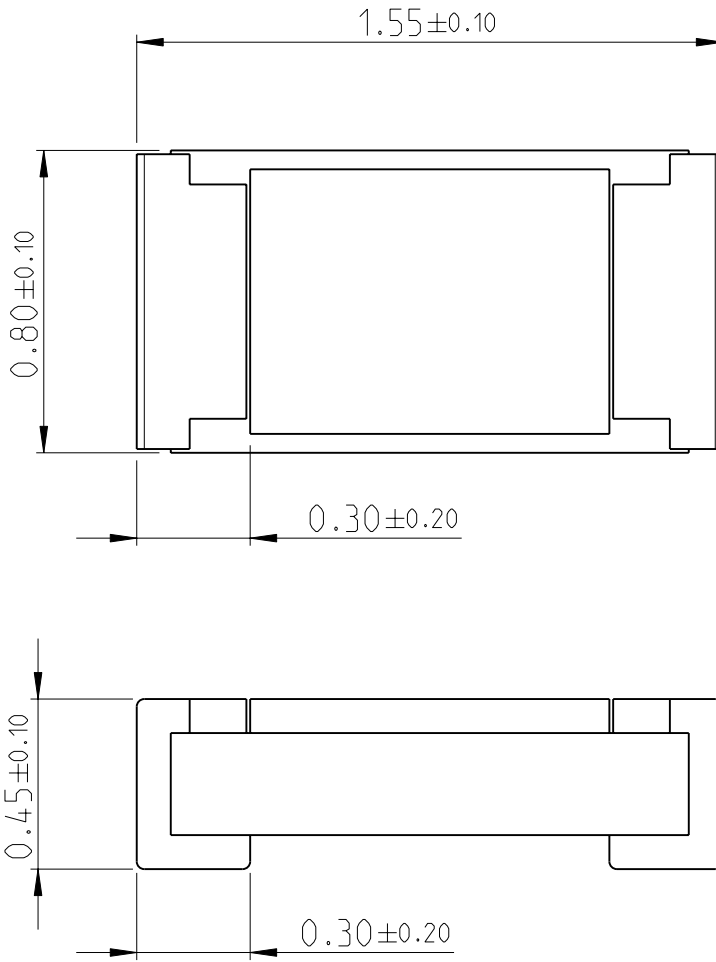
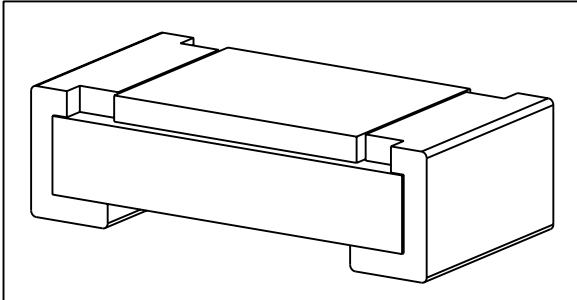


LOC	DIST	REVISIONS					
-	-	P	LTR	DESCRIPTION	DATE	DWN	APVD
		BA		NEW DRAWING	25APR2012	KR	St.P



FOR FURTHER INFORMATION SEE DATA SHEET FOR
SMD HIGH POWER PRECISION RESISTORS - RP73 SERIES

RoHS Compliant



20


RELEASED FOR PUBLICATION

ALL RIGHTS RESERVED.

THIS DRAWING IS UNPUBLISHED.

BY -

© COPYRIGHT 20

DIMENSIONS:	DWN	25APR2012	MATERIAL	FINISH		
mm	RAGHAVENDRA K		-	-		
TOLERANCES UNLESS OTHERWISE SPECIFIED:	CHK	25APR2012	 TE Connectivity			
	ALLAN P					
0 PLC ±	APVD	25APR2012	NAME HIGH POWER PRECISION CHIP RESISTORS - TYPE RP73P 0603 SERIES			
1 PLC ±0.5	STEPHEN.P					
2 PLC ±0.13	PRODUCT SPEC		SIZE	CAGE CODE	DRAWING NO	RESTRICTED TO
3 PLC ±0.013	APPLICATION SPEC		A 4	00779	©-2176088	-
4 PLC ±0.0001			WEIGHT 0.002 Gram			
ANGLES ±			CUSTOMER DRAWING			
			SCALE	SHEET	OF	REV
			40:1	1	1	BA

Mouser Electronics

Authorized Distributor

Click to View Pricing, Inventory, Delivery & Lifecycle Information:

[TE Connectivity:](#)

[2-2176088-5](#)