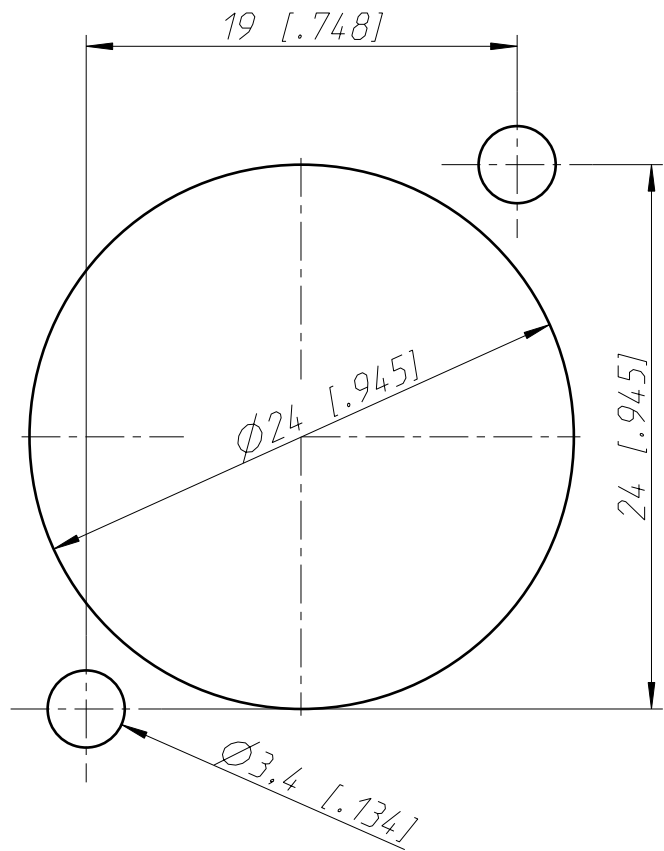


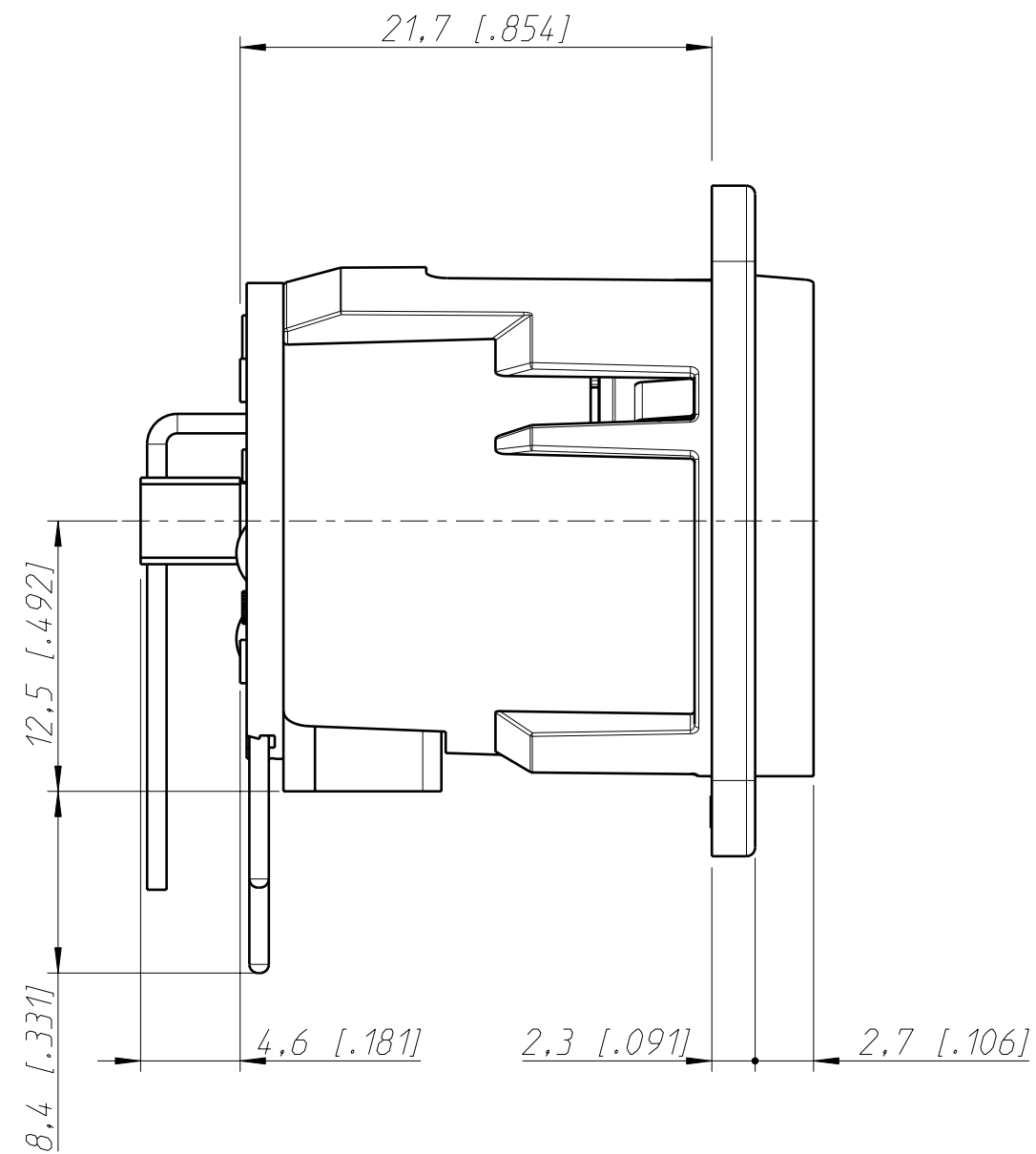
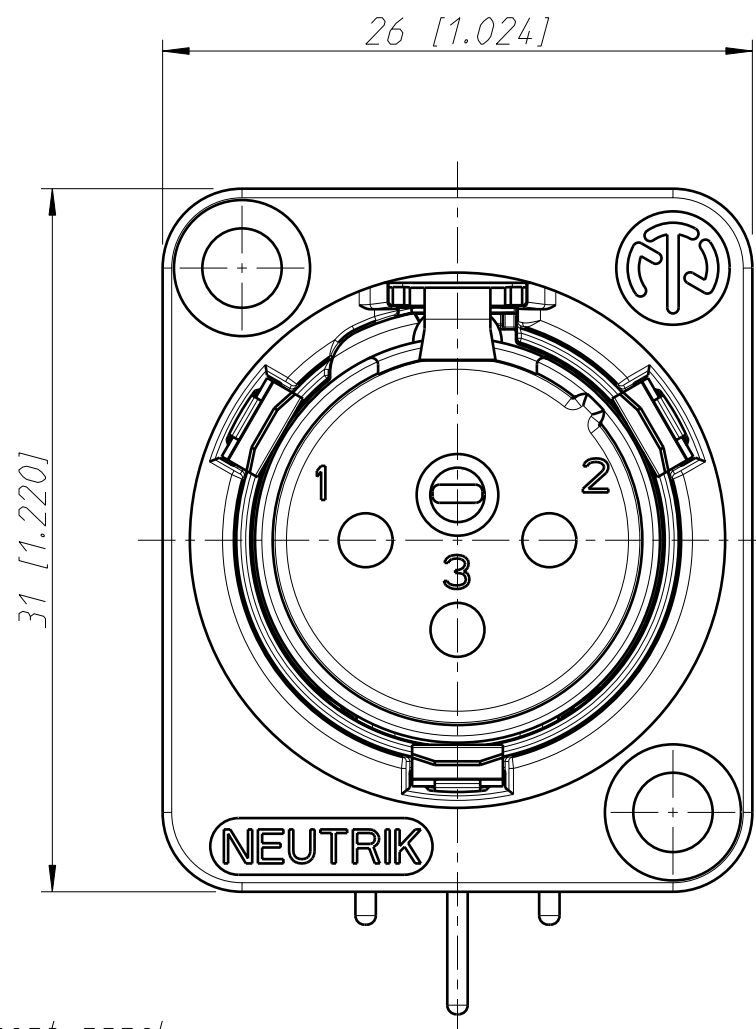
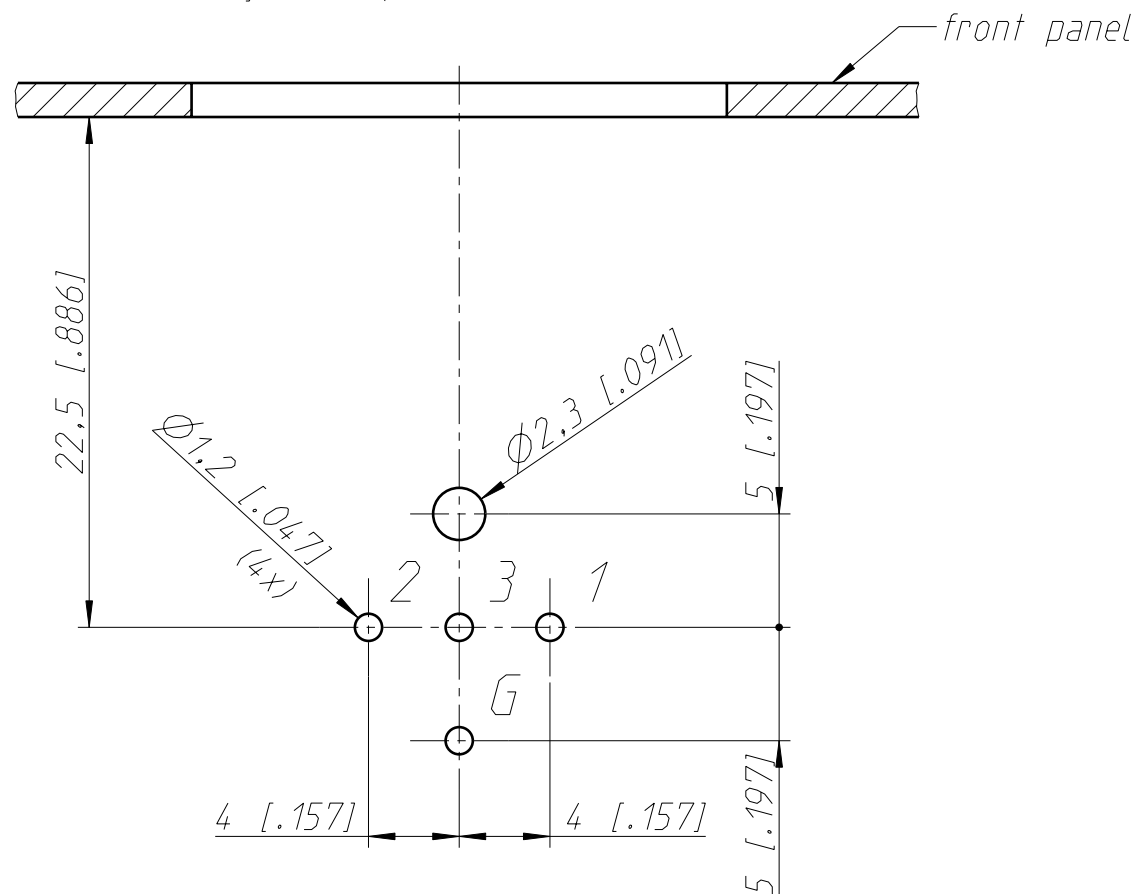
Frontplattenausschnitt (Rückseite)

Panel cut out (rear side)



Print-Bohrplan (Bestückungsseite)

PCB-Layout (component side)



General tolerances ISO 2768-m	Scale	Date	Name
Refer to protection notice ISO 16016.	3:1 (A3)	19.06.15	Dobler
Name		Modified	Dobler
		Change-No.	Index
		65-2015	1 / 1
		Replacement for:	
		Drawing-No.	
			ST-NC3MD-H

NEUTRIK

NC3MD-H

Mouser Electronics

Authorized Distributor

Click to View Pricing, Inventory, Delivery & Lifecycle Information:

[Neutrik:](#)

[NC3MD-H-BAG](#) [NC3MD-H-B](#) [NC3MD-H](#)