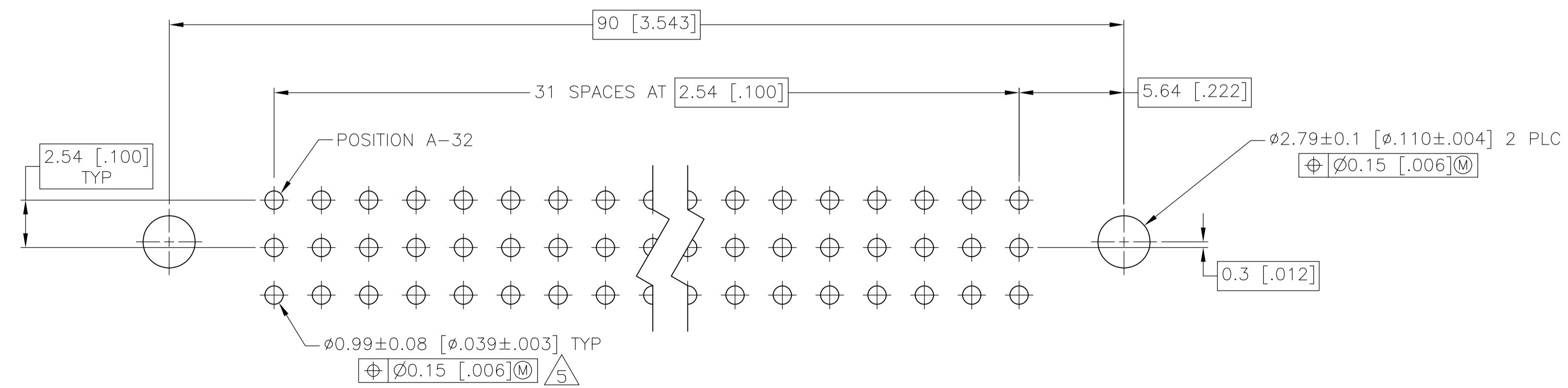
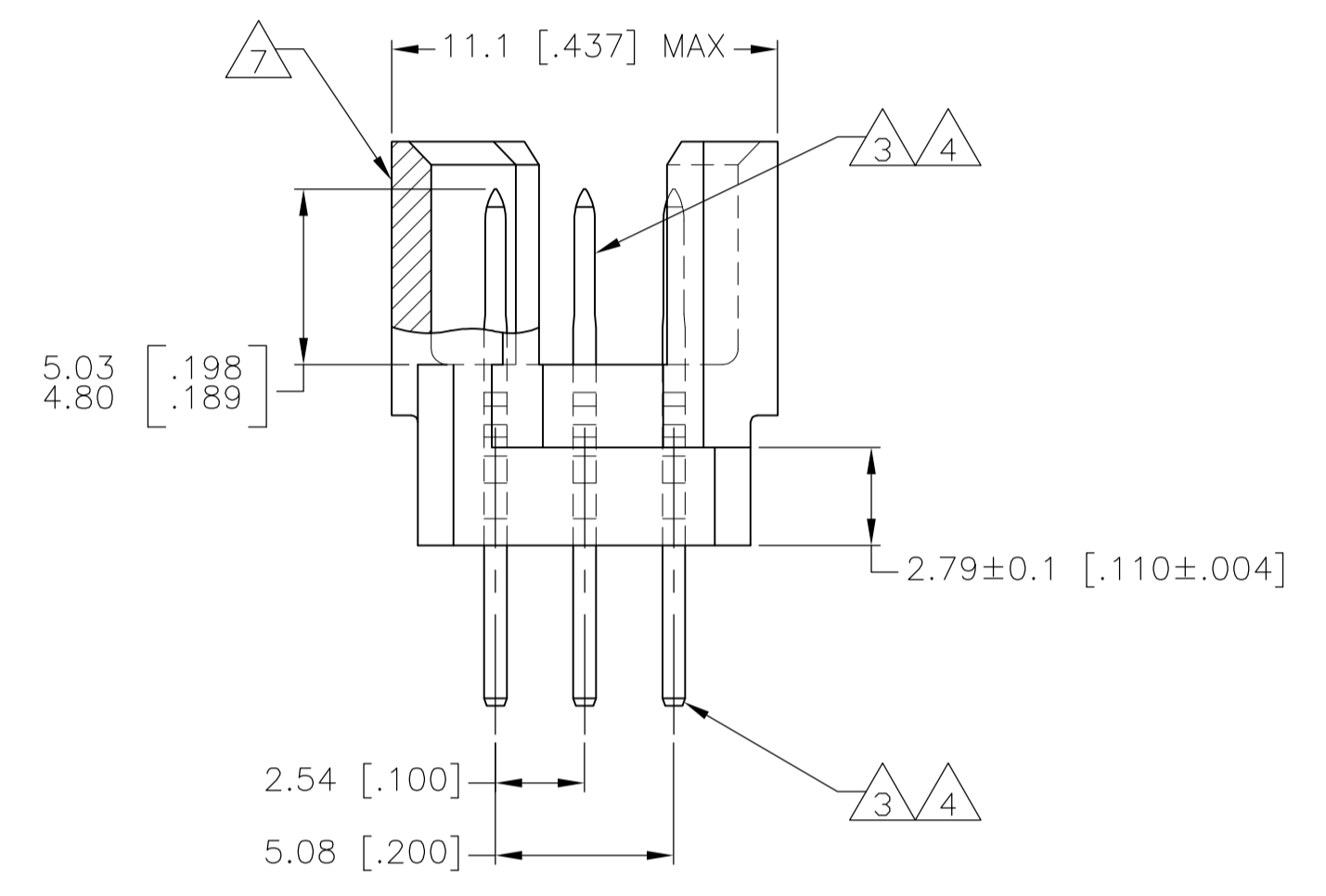


- 1 HOUSING MATERIAL: GLASS-FILLED POLYESTER, GRAY.
- 2 POST MATERIAL: BRASS.
- 3 POST FINISH: DIN 41612 CLASS 3 IN CONTACT AREA. TIN-LEAD PLATE ON POSTS.
- 4 POST FINISH: DIN 41612 CLASS 2 IN CONTACT AREA. TIN-LEAD PLATE ON POSTS.
- 5 RECOMMENDED HOLE SIZE FOR MANUAL APPLICATION OF CONNECTOR ONTO PC BOARD.
- 6 PART NUMBER, DATE CODE MARKED THIS APPROXIMATE AREA.
- 7 MARKING ON THIS SIDE.



PC BOARD LAYOUT

OBSOLETE	3	1-32	X	X	X	96	650470-9
	4	1-32	X	X	X	96	650470-5
NOTES	POSITIONS LOADED	C	B	A	NO OF LOADED POSITIONS	ASSY PART NUMBER	
THIS DRAWING IS A CONTROLLED DOCUMENT.		DIN L.BRINER 18MAR91		STE TE Connectivity			
DIMENSIONS: mm [INCHES]		TOLERANCES UNLESS OTHERWISE SPECIFIED:		NAME: D.C.RUBENDALL 26MAR91			
0 PLC ± -		1 PLC ± -		PRODUCT SPEC: D.C.RUBENDALL 26MAR91			
2 PLC ± 0.13 [.005]		3 PLC ± -		APPLICATION SPEC: -			
4 PLC ± -		ANGLES ± -		SIZE: A1 00779 C=650470			
MATERIAL: 1 2		FINISH: 3 4		WEIGHT: -		RESTRICTED TO: -	
CUSTOMER DRAWING		SCALE: 5:1		SHEET 1 OF 1		REV H1	