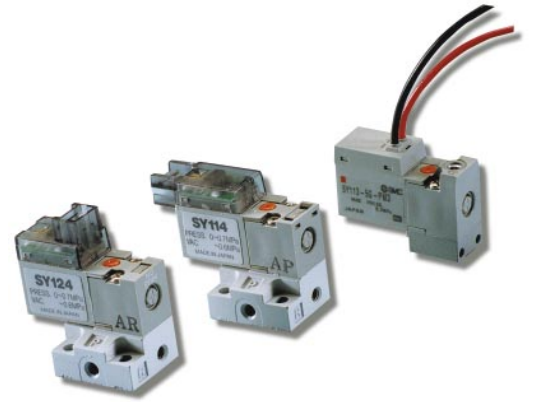


## 3/2 DIRECT ACTING SOLENOID VALVE

- ✓ 0.5 w Power Consumption (standard type)
- ✓ Life in excess of 10M cycles
- ✓ Compact (10mm body width)
- ✓ Light weight
- ✓ Suitable for low vacuum
- ✓ Modern light colour
- ✓ Copper free as standard

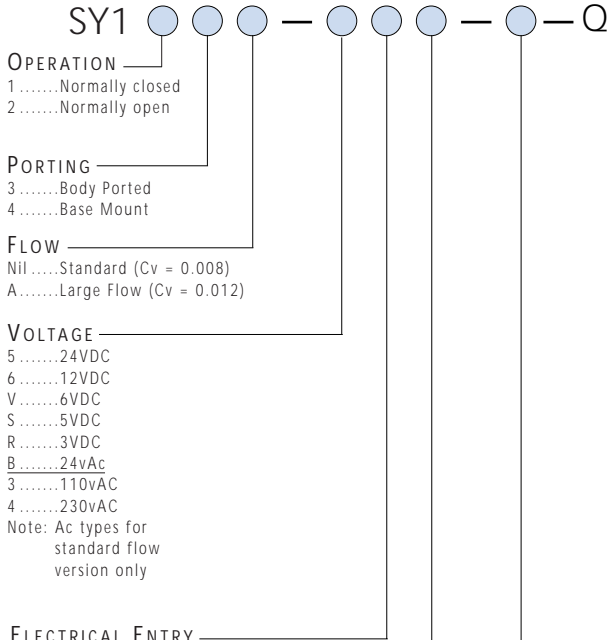
### APPLICATIONS

- Small single acting cylinder
- Pilot valves
- Vacuum suitability
- Air blast eject valves



Valves

### HOW TO ORDER



**ELECTRICAL ENTRY**

24V, 12V, 6V, 5V, 3VDC/100V, 110V, 200V, 220VAC			
Grommet	L type plug connector	M type plug connector	
G: Lead wire (Length: 300mm)	L: With lead wire (Length: 300mm)	M: With lead wire (Length: 300mm)	MN: Without lead wire
H: Lead wire (Length: 600mm)	LN: Without lead wire	LO: Without connector	MO: Without connector

\*LN or MN option includes 2 pins.

**LAMP & SURGE PROTECTION**

Nil ..... Without  
 S ..... Surge voltage & suppressor  
 Z ..... Lamp & Surge Suppressor

**PIPING OPTION**

Nil ..... For manifold (SY1\*4 only)  
 M3 ..... For manifold (SY1\*3 only)  
 PM3 ..... Body port (SY1\*3 only)  
 PM3-F Body Port with bracket (SY1\*3 only)

Note: Body ported version (SY1\*3\*) is available either as a "stand alone" valve (order with PM3 piping option) or with a common supply manifold (order as M3 piping)

### HOW TO ORDER

SY100 VALVE – MANIFOLDS  
 FOR BODY PORTED VALVES SY113(A)  
 ULTRA COMPACT TYPE WITH COMMON EXHAUST

SS3Y1 – 30 – F

No of Stations  
 02 ..... 2 Stations  
 :  
 10 ..... 10 Stations

PIPED EXHAUST TYPE FOR SY113(A) AND SY123(A)

SS3Y1 – 31 – F

No of Stations  
 02 ..... 2 Stations  
 :  
 20 ..... 20 Stations

Note: SY123 and SY113 cannot be mixed on the same manifold

FOR BASE MOUNT VALVES SY1\*4(A)

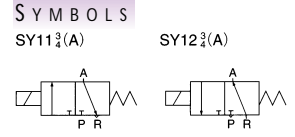
SS3Y1 – S41 – F

No of Stations  
 02 ..... 2 Stations  
 :  
 20 ..... 20 Stations

Note: SY124 and SY114 cannot be mixed on the same manifold

A PORT SIZE  
 M3 ..... M3 port  
 M5 ..... M5 port

### SYMBOLS



### TECHNICAL SPECIFICATIONS

	SY1**	SY1**A
Fluid	Air	
Ambient & Fluid temp	50°C max.	
Response time	10ms (without surge voltage & suppression)	
Max operating frequency	20Hz	
Lubrication	Not required	
Mounting Direction	Free	
Available Voltage Dc	24, 12, 6, 5, 3 VDC	
Ac	24, 110, 220 Ac	N/A
Allowable Voltage Variation	-10% ~ +10%	
Cv (effective orifice mm <sup>2</sup> )	0.008 (0.14)	0.012 (0.22)
Power Consumption Dc	0.5w (0.55w with LED)	0.75w (0.8w with LED)
Ac	110v 1.0VA (1.1VA wth LED) 230v 2.2VA (2.3VA with LED)	N/A N/A
Operating Pressure Range	0-0.7MPa (0-7.1kgf/cm <sup>2</sup> )	

### ACCESSORIES

Single Subbase	SY100-74-1
Connector Assemblies	See Series SY3000

### MANIFOLD ACCESSORIES

Blanking Plate (All types)	SY100-77-1A
Spare Gasket (Body Ported Valves)	VJ100-6-2
Spare Gasket (Base Mounted Valves)	VJ100-6-1



SEE INSIDE FRONT COVER FOR  
 DETAILS OF YOUR LOCAL SALES OFFICE

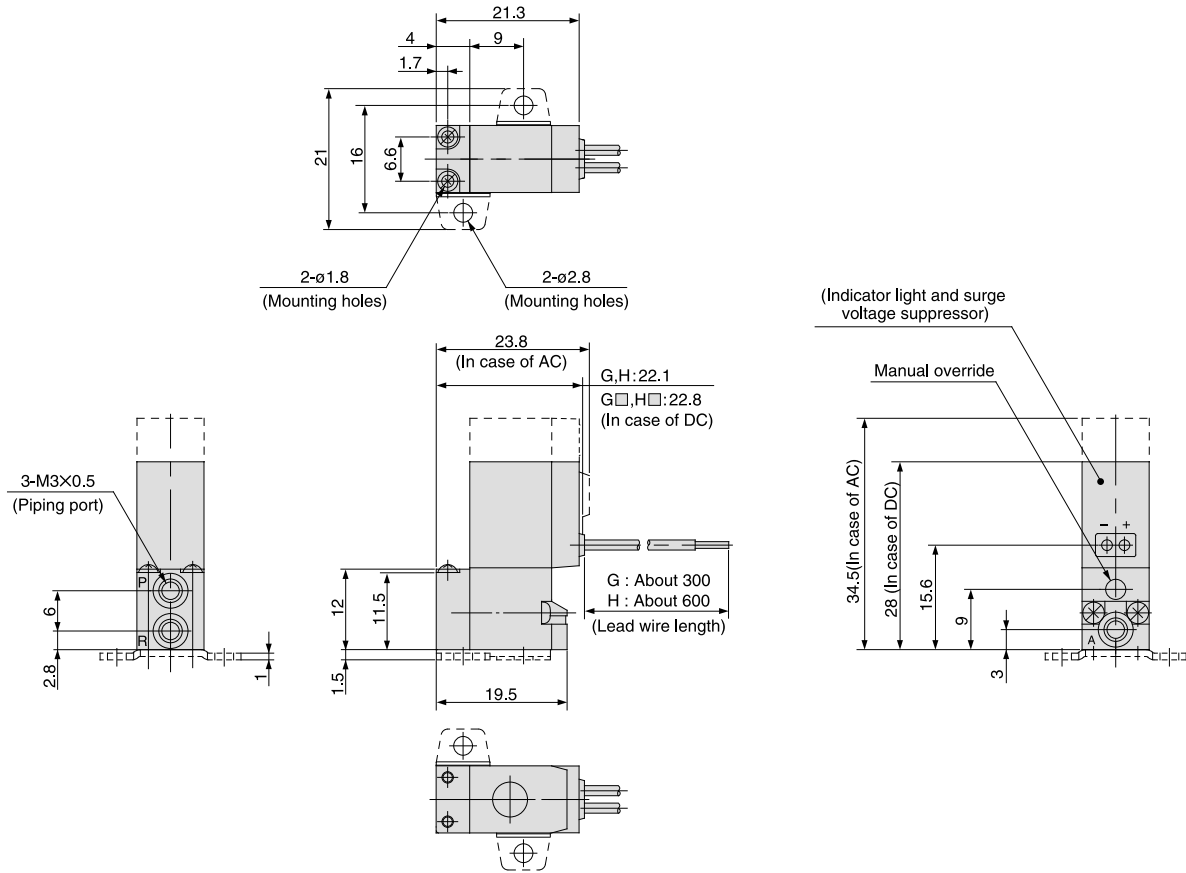


FOR FURTHER TECHNICAL  
 DETAILS ON THIS PRODUCT  
 REQUEST CATALOGUE  
 REFERENCE  
 E142-A

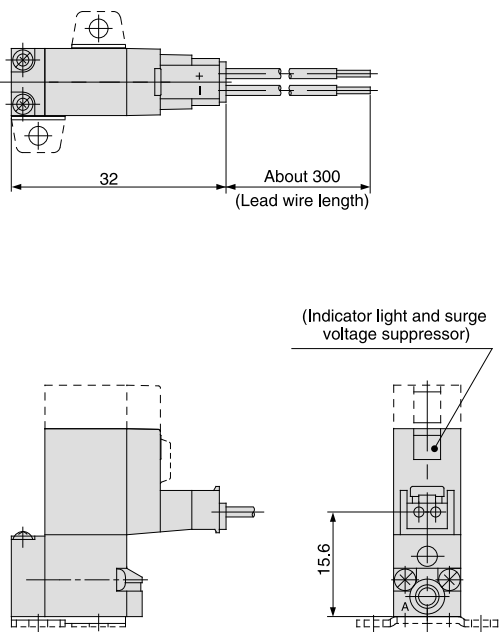
DIMENSIONS  
BODY PORTED

Grommet (G), (H) : SY1<sup>1</sup>/<sub>2</sub>3(A)-□<sup>G</sup>□□-M3

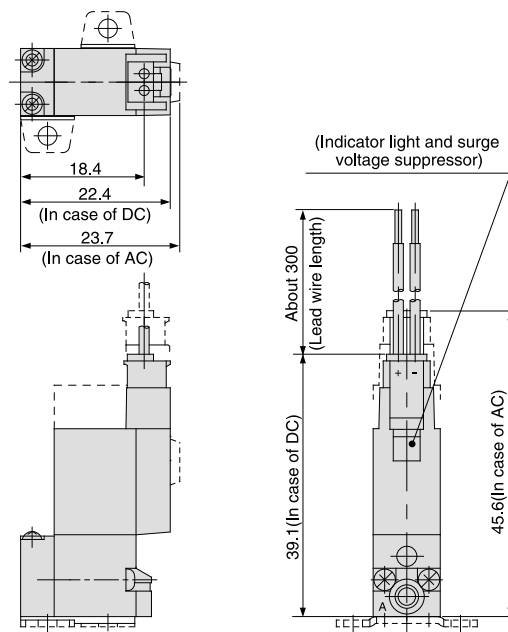
Valves



L type plug connector (L) : SY1<sup>1</sup>/<sub>2</sub>3(A)-□L□□-M3



M type plug connector (M) : SY1<sup>1</sup>/<sub>2</sub>3(A)-□M□□-M3



★Other dimensions are same as grommet type.

★Other dimensions are same as grommet type.

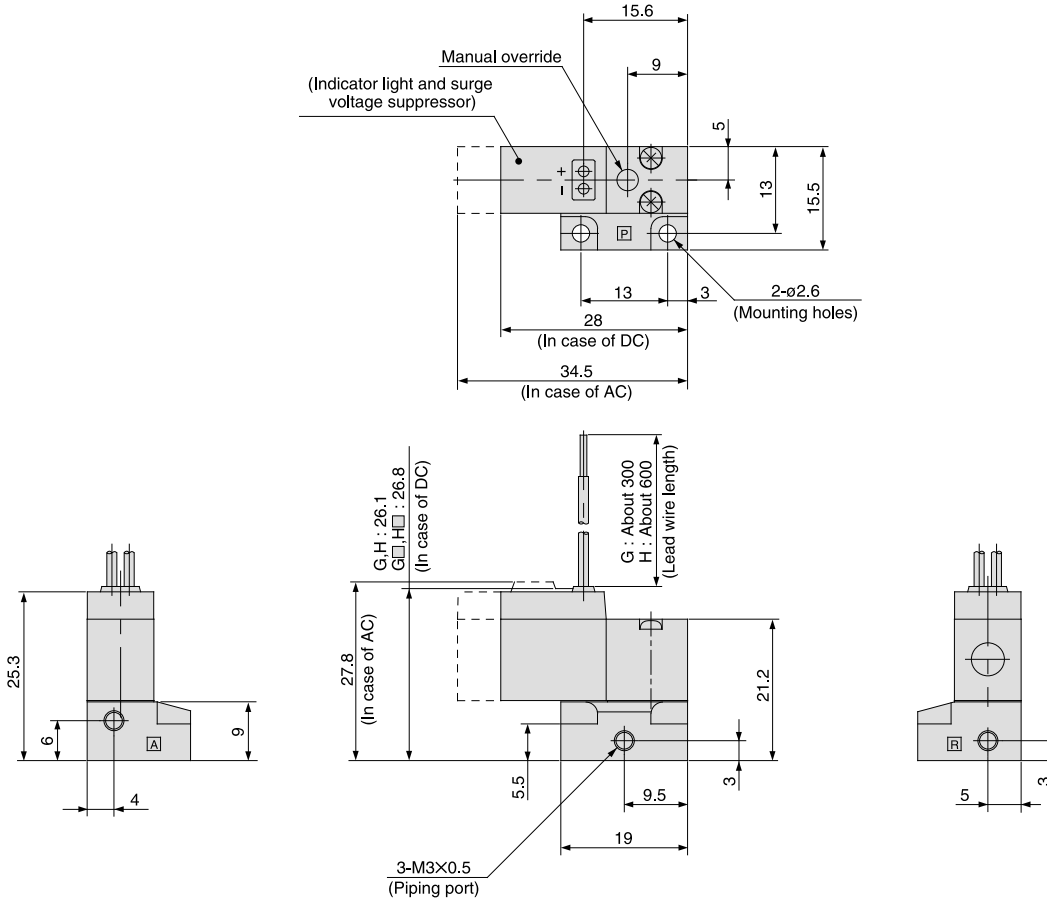


FOR FURTHER TECHNICAL  
DETAILS ON THIS PRODUCT  
REQUEST CATALOGUE  
REFERENCE  
E142-A

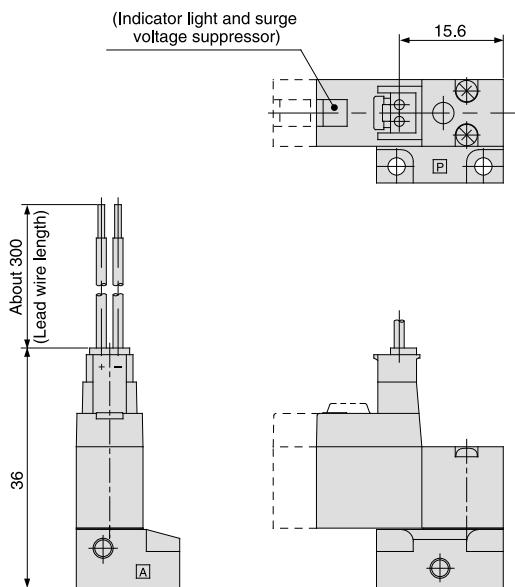
DIMENSIONS

BASE MOUNTED (WITH SUB-PLATE)

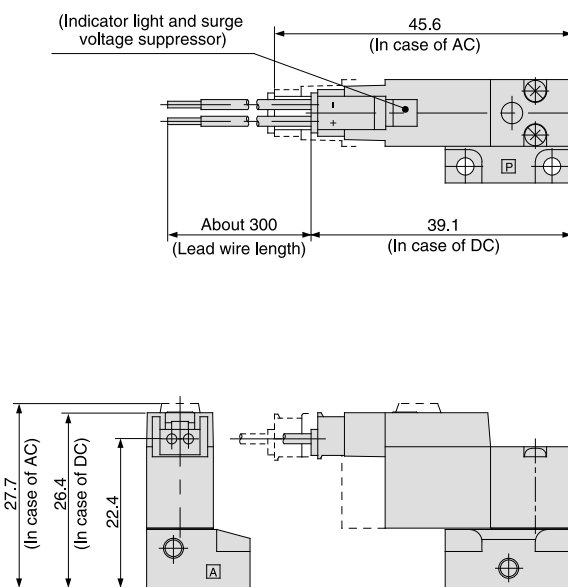
Grommet (G), (H) : SY1<sub>2</sub>4(A)-□<sup>G</sup>□□-M3



L type plug connector (L) : SY1<sub>2</sub>4(A)-□L□□-M3



M type plug connector (M) : SY1<sub>2</sub>4(A)-□M□□-M3



★Other dimensions are same as grommet type.

★Other dimensions are same as grommet type.



SEE INSIDE FRONT COVER FOR  
DETAILS OF YOUR LOCAL SALES OFFICE

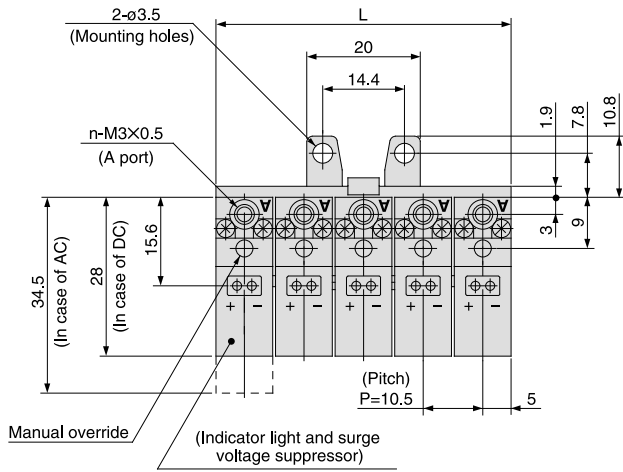


FOR FURTHER TECHNICAL  
DETAILS ON THIS PRODUCT  
REQUEST CATALOGUE  
REFERENCE  
E142-A

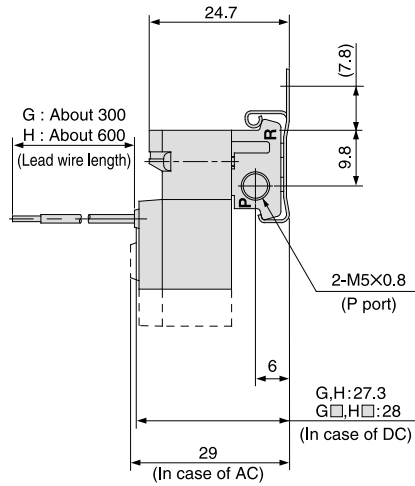
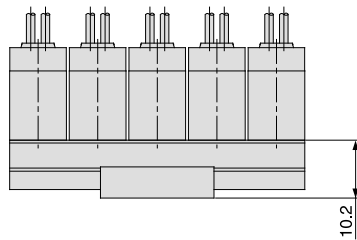
DIMENSIONS

30 TYPE MANIFOLD: TOP PIPING/SS3Y1-30-STATIONS

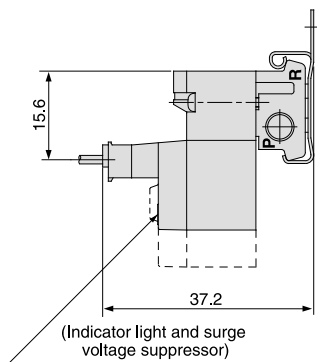
Grommet (G), (H)



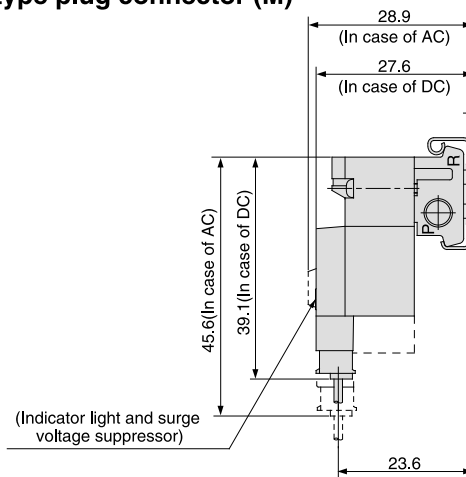
(n stations) ----- (1 station)



L type plug connector (L)



M type plug connector (M)



★Other dimensions are same as grommet type.

★Other dimensions are same as grommet type.

Stations	2 stations	3	4	5	6	7	8	9	10 stations
L	20.5	31	41.5	52	62.5	73	83.5	94	104.5

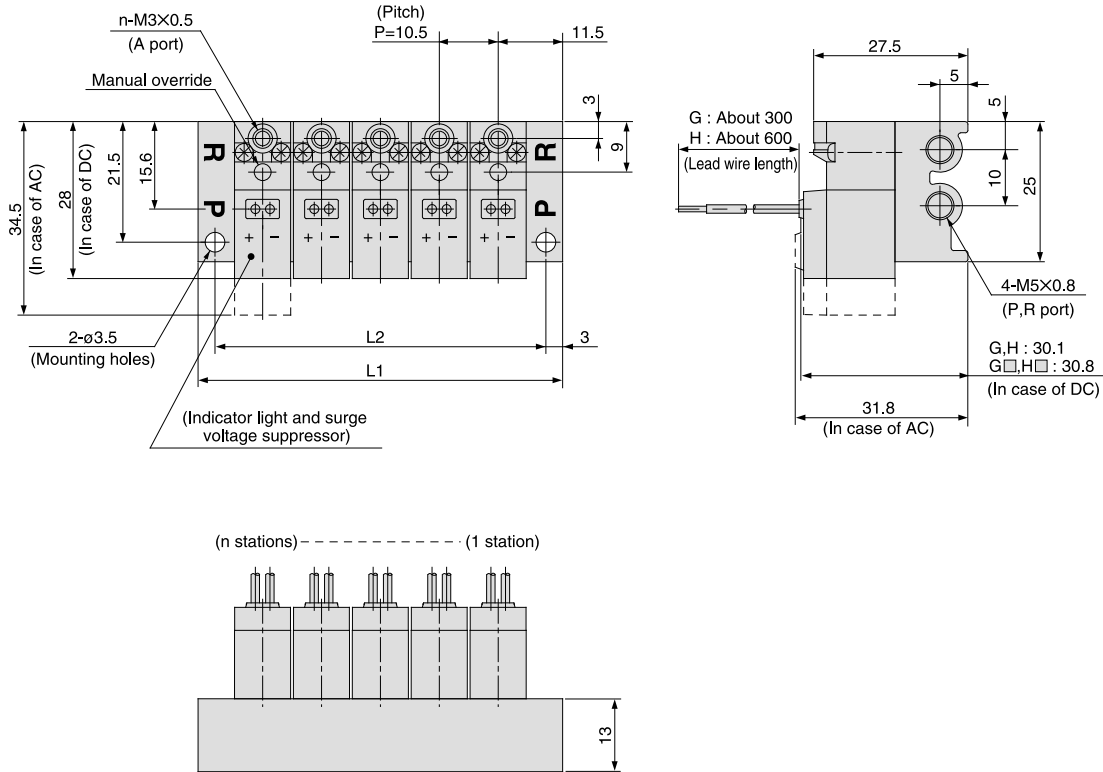


FOR FURTHER TECHNICAL  
 DETAILS ON THIS PRODUCT  
 REQUEST CATALOGUE  
 REFERENCE  
 E142-A

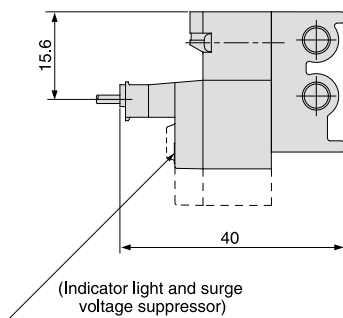
DIMENSIONS

31 TYPE MANIFOLD: TOP PIPING SS3Y1-31-STATIONS

Grommet (G), (H)

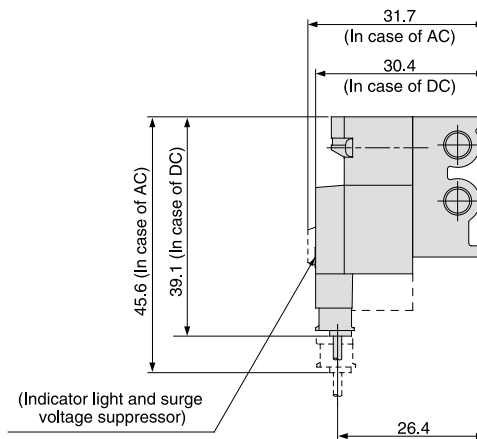


L type plug connector (L)



★Other dimensions are same as grommet type.

M type plug connector (M)



★Other dimensions are same as grommet type.

Stations	2 stations	3	4	5	6	7	8	9	10	11	12	13	14	15	16	17	18	19	20 stations
L <sub>1</sub>	33.5	44	54.5	65	75.5	86	96.5	107	117.5	128	138.5	149	159.5	170	180.5	191	201.5	212	222.5
L <sub>2</sub>	27.5	38	48.5	59	69.5	80	90.5	101	111.5	122	132.5	143	153.5	164	174.5	185	195.5	206	216.5



SEE INSIDE FRONT COVER FOR  
DETAILS OF YOUR LOCAL SALES OFFICE



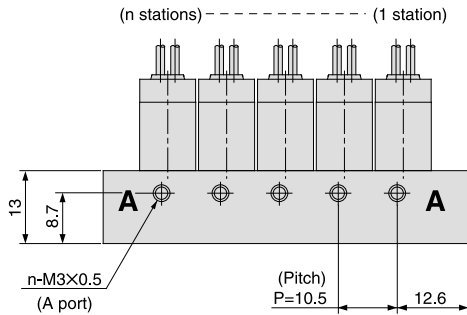
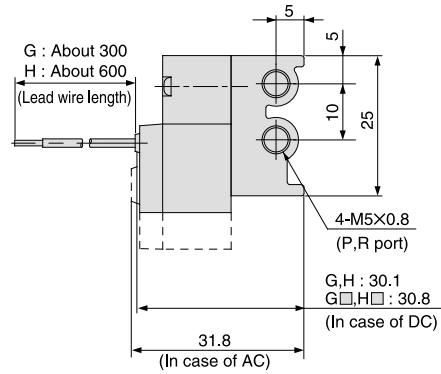
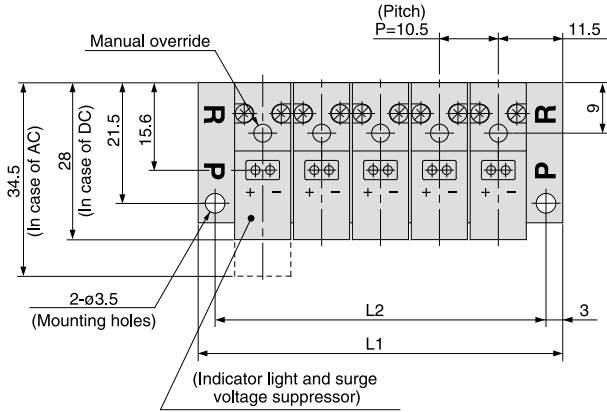
FOR FURTHER TECHNICAL  
DETAILS ON THIS PRODUCT  
REQUEST CATALOGUE  
REFERENCE  
E142-A

DIMENSIONS

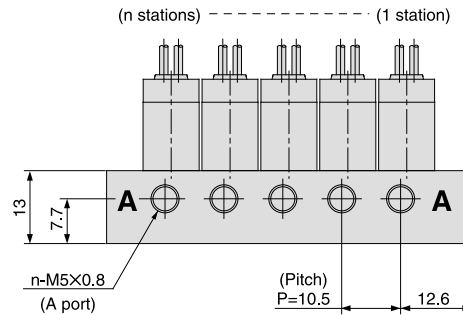
S41 TYPE MANIFOLD: SIDE PIPING SS3Y1-S41-STATIONS-M3, M5

Grommet (G), (H)

Valves

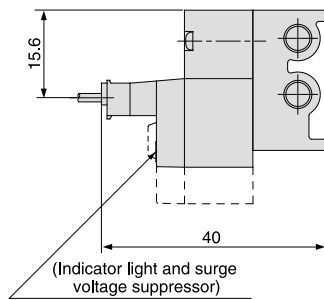


In case of M3



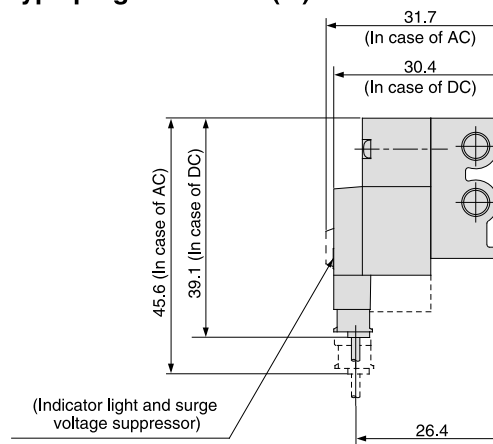
In case of M5

L type plug connector (L)



★Other dimensions are same as grommet type.

M type plug connector (M)



★Other dimensions are same as grommet type.

Stations	2 stations	3	4	5	6	7	8	9	10	11	12	13	14	15	16	17	18	19	20 stations
L <sub>1</sub>	33.5	44	54.5	65	75.5	86	96.5	107	117.5	128	138.5	149	159.5	170	180.5	191	201.5	212	222.5
L <sub>2</sub>	27.5	38	48.5	59	69.5	80	90.5	101	111.5	122	132.5	143	153.5	164	174.5	185	195.5	206	216.5



FOR FURTHER TECHNICAL  
DETAILS ON THIS PRODUCT  
REQUEST CATALOGUE  
REFERENCE  
E142-A