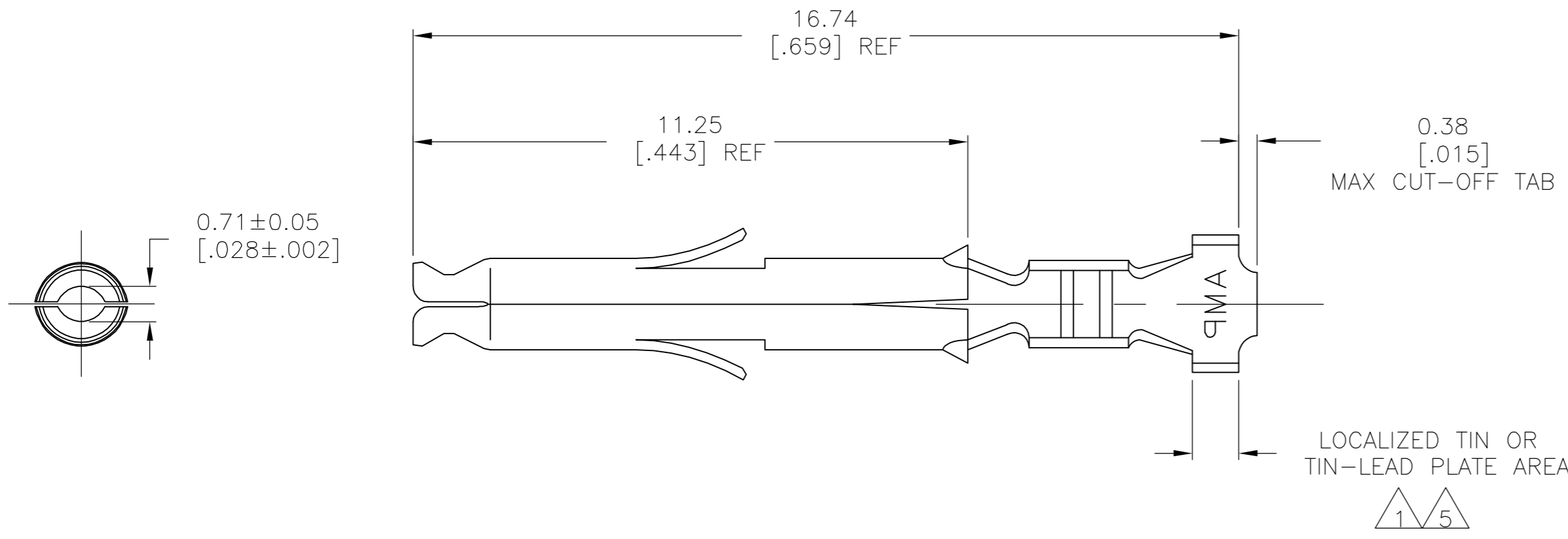
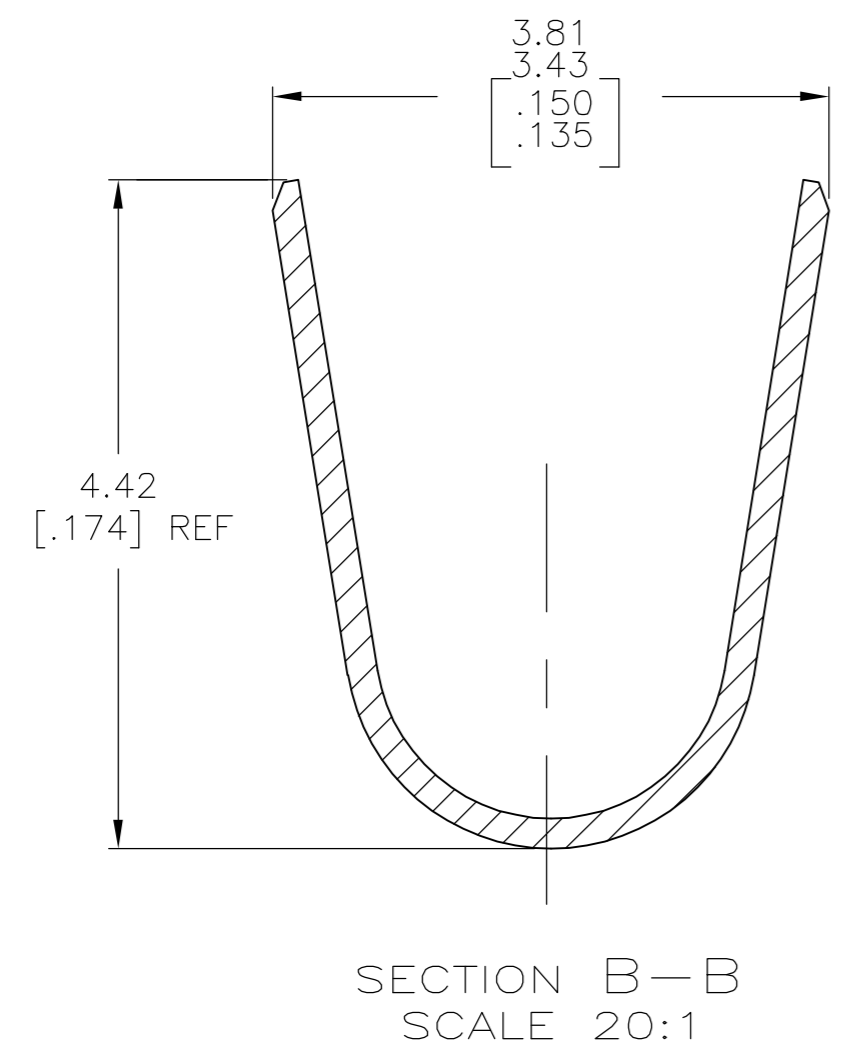
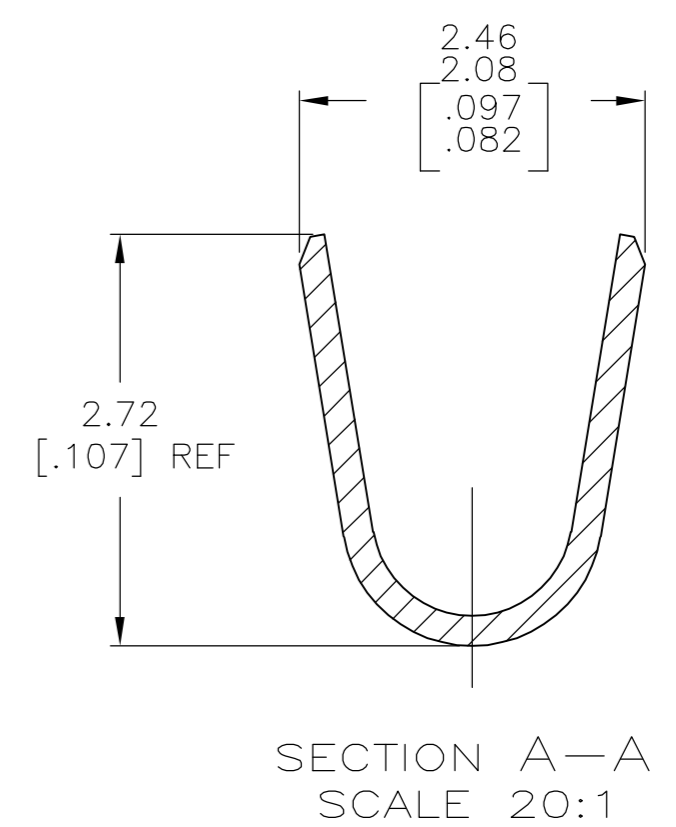
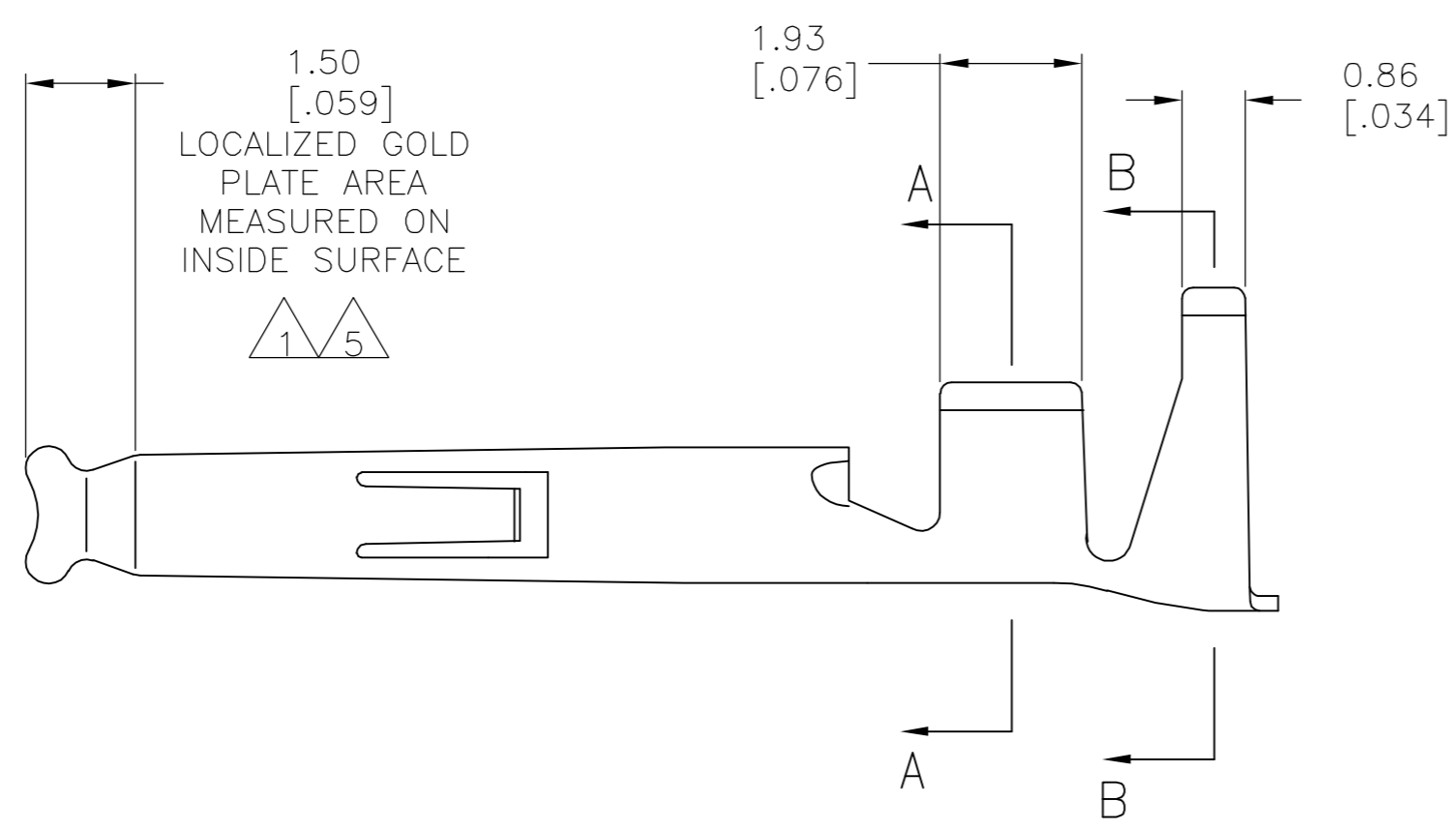


THIS DRAWING IS UNPUBLISHED. RELEASED FOR PUBLICATION
 © COPYRIGHT BY TYCO ELECTRONICS CORPORATION. ALL RIGHTS RESERVED.

LOC		DIST		REVISIONS			
P	LTR	DESCRIPTION		DATE	DWN	APVD	
CM	00	H1	ECO-06-003332	06MAR06	BSV	RCJ	



- 1 0.00076 [.000030] MIN GOLD IN LOCALIZED GOLD PLATE AREA AND 0.00254 [.000100] MIN BRIGHT TIN-LEAD IN LOCALIZED TIN-LEAD PLATE AREA OVER 0.0013 [.000050] MIN NICKEL.
- 2. WIRE RANGE: 0.3-0.9mm² (22-18 AWG).
- 3. INSULATION RANGE: 1.50-2.40 [.060-.094] DIA.
- 4. DIMENSIONS IN BRACKETS ARE IN INCHES.
- 5 0.00076 [.000030] MIN GOLD IN LOCALIZED GOLD PLATE AREA AND 0.00254 [.000100] MIN BRIGHT TIN IN LOCALIZED TIN PLATE AREA OVER 0.0013 [.000050] MIN NICKEL.



5	0.20 [.008] PH BRZ	1-770988-1
5	0.20 [.008] BRASS	1-770988-0
1	0.20 [.008] BRASS	770988-3
PRE-TIN	0.20 [.008] BRASS	770988-1
FINISH	MATERIAL	PART NUMBER

THIS DRAWING IS A CONTROLLED DOCUMENT.		DWN S. HOOVER 16OCT02	Tyco Electronics Corporation Harrisburg, PA 17105-3608	
DIMENSIONS: mm [INCHES]		CHK C. JONES 16OCT02		
TOLERANCES UNLESS OTHERWISE SPECIFIED:		APVD C. JONES 16OCT02	NAME	
0 PLC ± -		PRODUCT SPEC	SOCKET, LOOSE PIECE, MINI UNIVERSAL MATE-N-LOK(TM)	
1 PLC ± -		APPLICATION SPEC	SIZE CAGE CODE DRAWING NO RESTRICTED TO	
2 PLC ± -		WEIGHT	A2 00779 C=770988	
3 PLC ± 0.15[.006]		CUSTOMER DRAWING	SCALE 10:1 SHEET 1 OF 1 REV H1	
4 PLC ± -				
ANGLES ± 1°				
FINISH				

METRIC