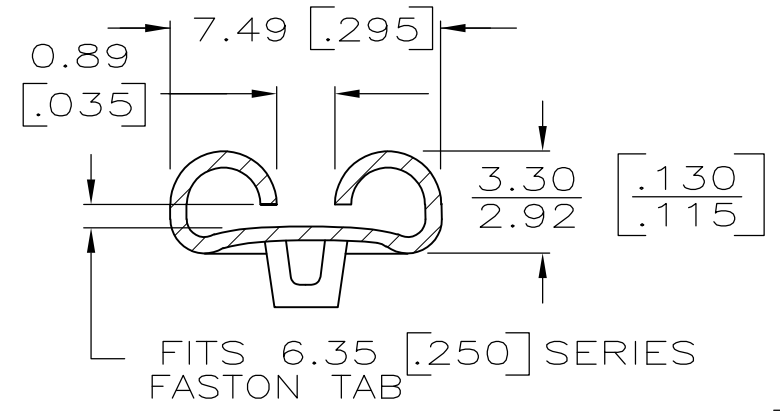
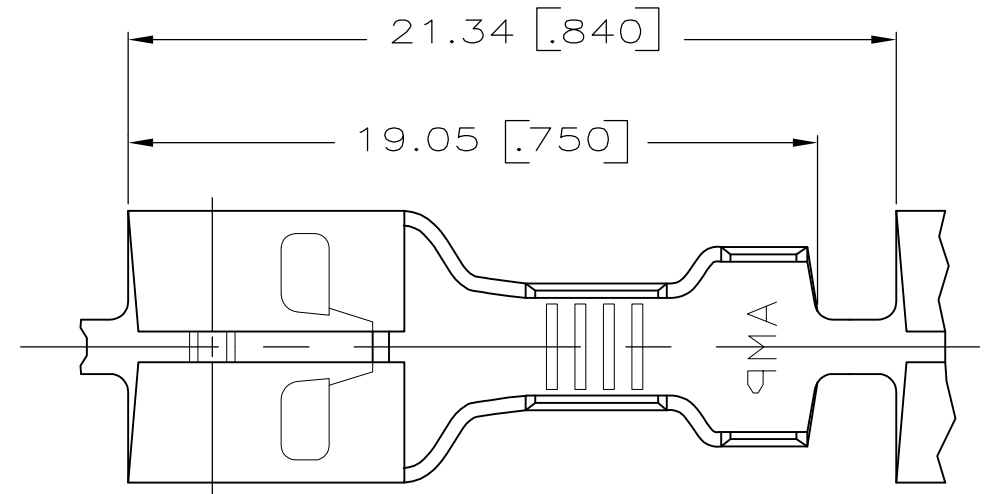
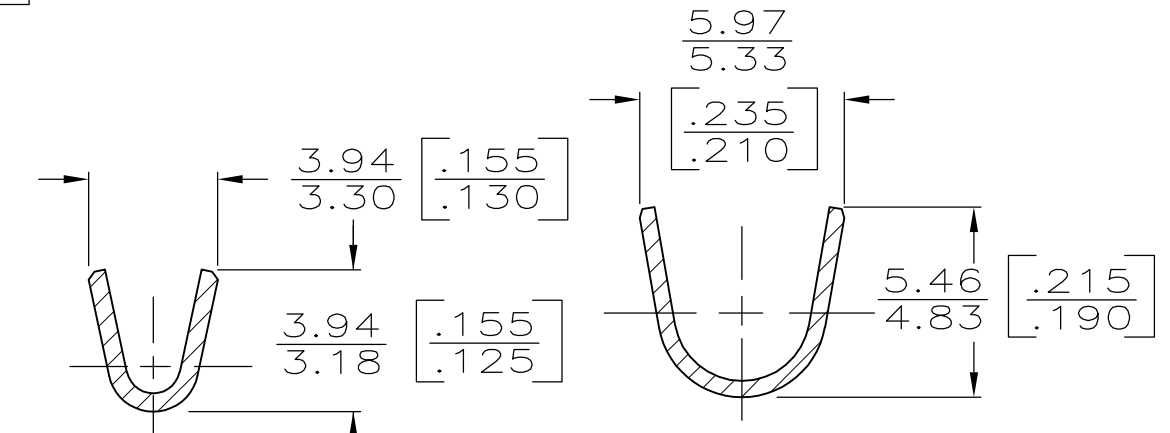


LOC	DIST	REVISIONS					
AF	50	P	LTR	DESCRIPTION	DATE	OWN	APVD
		AM1		REVISED PER ECR-07-006847	23APR07	HMR	KR

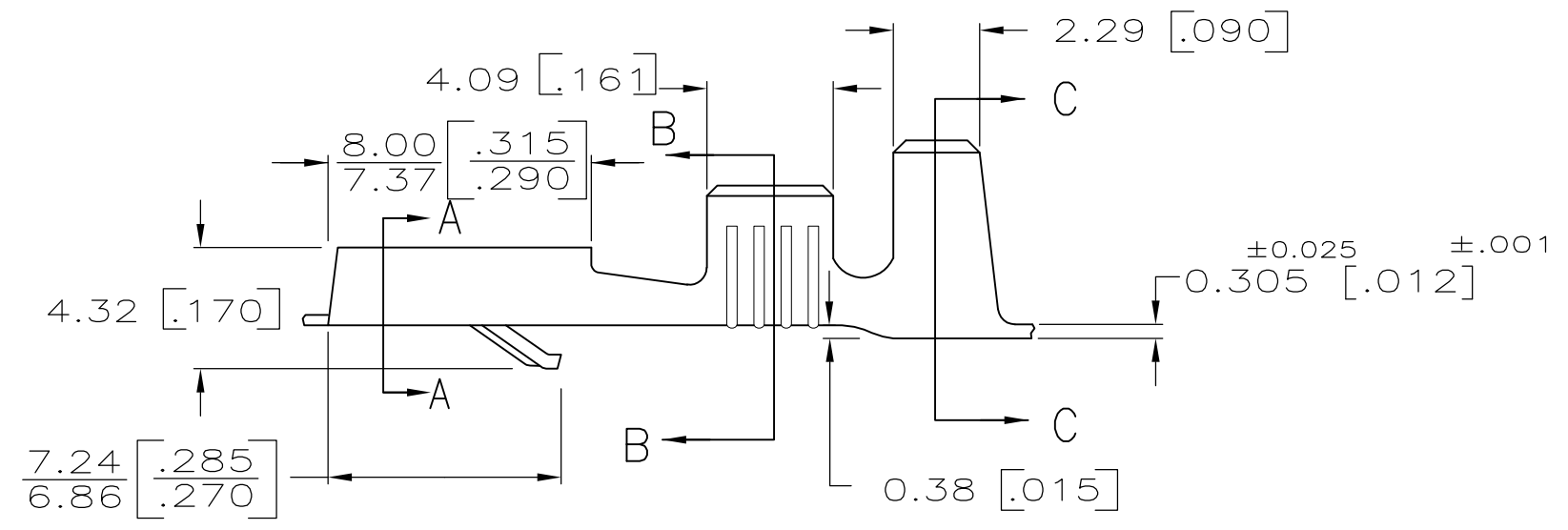


SECTION A-A



SECTION B-B

SECTION C-C



- 1 DIMENSIONS IN BRACKETS ARE IN INCHES.
- 2 CONTINUOUS STRIP ON REELS.
- 3 FOR FOREIGN PRODUCTION ONLY.
- 4 NO RIB IN LOCKING LANCE.
- 5 NO STRESS RELIEVING
- 6 REELED WITH INTERLEAVING PAPER
- 7 PRELIMINARY - NOT FOR PRODUCTION.

△/4	---	TIN	#4H BRASS	2.54 - 4.32	0.8 - 2.0 mm ²	±0.025	△ 42100-9
△/3	---	TIN	#4H BRASS				
△/3	---	---	#4H BRASS				2-42100-1
△/3	-	TIN	#4H BRASS				1-42100-2
△/3	1-42238-1	---	#4H BRASS			0.81	1-42100-1
△/4	---	SILVER	#4H BRASS	[.100 - .170]	[18 - 14]	[.032 ±.001]	42100-3
△/4	---	TIN	#4H BRASS				42100-2
△/4	---	---	#4H BRASS				42100-1
△/4	LOOSE PIECE	FINISH	MATERIAL	INSULATION RANGE	WIRE SIZE	TAB THK	PART NO

THIS DRAWING IS A CONTROLLED DOCUMENT.

DWN	JR RUTH	2/5/88		Tyco Electronics Corporation Harrisburg, Pa 17105-3608
CHK	MS FEHER	2/5/88		
APVD	C MEYERS	2/8/88		
DIMENSIONS: mm [INCHES]			NAME: RECEPTACLE, FASTON-FASTON, .250 SERIES	
TOLERANCES UNLESS OTHERWISE SPECIFIED:			APPLICATION SPEC:	
0 PLC ± - 1 PLC ± - 2 PLC ± - 3 PLC ± 0.25 [.010] 4 PLC ± - - ANGLES ± - -			SIZE: A2 CAGE CODE: 00779 DRAWING NO: C-42100	
MATERIAL: SEE ABOVE			WEIGHT: -	
FINISH: SEE ABOVE			CUSTOMER DRAWING	
METRIC			SCALE: 5:1 SHEET: 1 OF 1 REV: AM1	