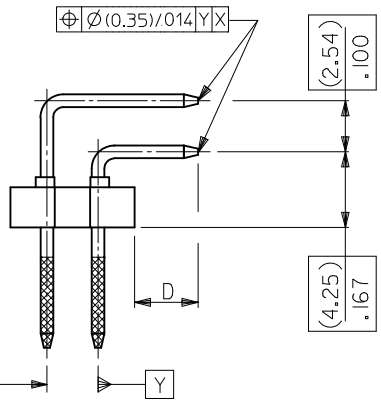
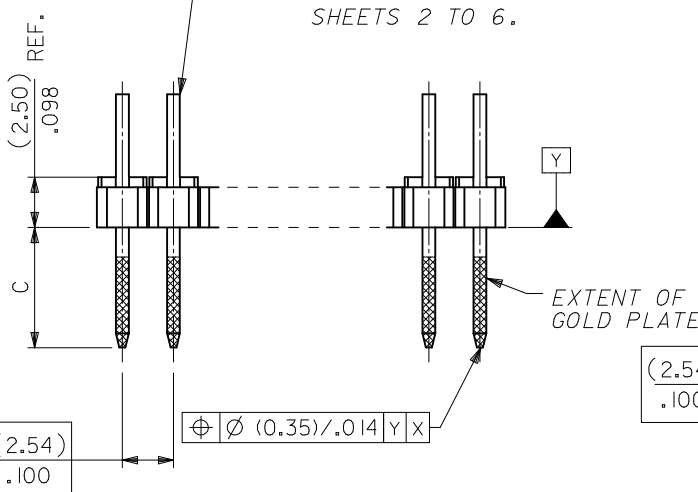
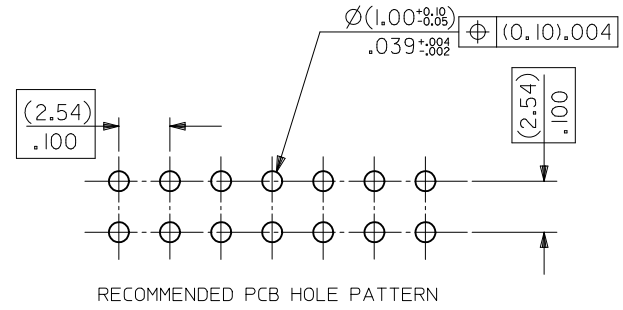


WAFER: 15% GLASS FILLED POLYESTER TO UL 94V-0. COLOUR: BLACK.

PINS: (0.635)/.025 SQ. BRASS WIRE. PLATED AS PER SHEETS 2 TO 6.



NOTES  
1. FOR ASSY NUMBERS WITH FINISH OPTIONS AND DIM'S C & D SEE SHEETS 2 TO 6.



NOTES  
2. RECOMMENDED PCB THICKNESS: 1.6MM  
3. PRODUCT SPECIFICATION: PS-99020-0001

CKT SIZE	DIM. "A"		DIM. "B" ( $\pm 0.20$ $-0.35$ $-0.008$ $-0.014$ )		CKT SIZE	DIM. "A"		DIM. "B" ( $\pm 0.20$ $\pm .008$ )	
2X 1			(2.54)	.100	2X21	(50.80)	2.000	(53.34)	2.100
2X 2	(2.54)	.100	(5.08)	.200	2X22	(53.34)	2.100	(55.88)	2.200
2X 3	(5.08)	.200	(7.62)	.300	2X23	(55.88)	2.200	(58.42)	2.300
2X 4	(7.62)	.300	(10.16)	.400	2X24	(58.42)	2.300	(60.96)	2.400
2X 5	(10.16)	.400	(12.70)	.500	2X25	(60.96)	2.400	(63.50)	2.500
2X 6	(12.70)	.500	(15.24)	.600	2X26	(63.50)	2.500	(66.04)	2.600
2X 7	(15.24)	.600	(17.78)	.700	2X27	(66.04)	2.600	(68.58)	2.700
2X 8	(17.78)	.700	(20.32)	.800	2X28	(68.58)	2.700	(71.12)	2.800
2X 9	(20.32)	.800	(22.86)	.900	2X29	(71.12)	2.800	(73.66)	2.900
2X10	(22.86)	.900	(25.40)	1.000	2X30	(73.66)	2.900	(76.20)	3.000
2X11	(25.40)	1.000	(27.94)	1.100	2X31	(76.20)	3.000	(78.74)	3.100
2X12	(27.94)	1.100	(30.48)	1.200	2X32	(78.74)	3.100	(81.28)	3.200
2X13	(30.48)	1.200	(33.02)	1.300	2X33	(81.28)	3.200	(83.82)	3.300
2X14	(33.02)	1.300	(35.56)	1.400	2X34	(83.82)	3.300	(86.36)	3.400
2X15	(35.56)	1.400	(38.10)	1.500	2X35	(86.36)	3.400	(88.90)	3.500
2X16	(38.10)	1.500	(40.64)	1.600	2X36	(88.90)	3.500	(91.44)	3.600
2X17	(40.64)	1.600	(43.18)	1.700	2X37	(91.44)	3.600	(93.98)	3.700
2X18	(43.18)	1.700	(45.72)	1.800	2X38	(93.98)	3.700	(96.52)	3.800
2X19	(45.72)	1.800	(48.26)	1.900	2X39	(96.52)	3.800	(99.06)	3.900
2X20	(48.26)	1.900	(50.80)	2.000	2X40	(99.06)	3.900	(101.60)	4.000

UPDATE TOL SYMMETRY	2010/04/15	DRWN:SKANG	2010/04/17	CHKD:ATSEE	2010/04/27	APPR:MLONG	2010/04/27
REV	M1	DESCRIPTION					

QUALITY SYMBOLS	$F_A=0$	GENERAL TOLERANCES (UNLESS SPECIFIED)	mm	INCH
	$F_B=0$		4 PLACES ± --- ± ---	3 PLACES ± --- ± ---
	$F_P=0$		ANGULAR ± ---°	
DRAFT WHERE APPLICABLE MUST REMAIN WITHIN DIMENSIONS				

DIMENSION STYLE		SCALE	DESIGN UNITS	THIRD ANGLE PROJECTION
MM ONLY		NTS	METRIC	
DRAWN BY	DATE	TITLE		
DB	16/07/87	C-GRID III DUAL ROW RIGHT ANGLE HEADER		
CHECKED BY	DATE	MOLEX INCORPORATED		
ATSEE	2010/04/27	SDA-90122		
APPROVED BY	DATE	SHEET NO.		
MLONG	2010/04/27	1 OF 6		
MATERIAL NO.	SEE TABLE	THIS DRAWING CONTAINS INFORMATION THAT IS PROPRIETARY TO MOLEX INCORPORATED AND SHOULD NOT BE USED WITHOUT WRITTEN PERMISSION		

10 9 8 7 6 5 4 3 2 1

CIRCUIT SIZE	PLATING TYPE A	PLATING TYPE E	PLATING TYPE F
	PART NO.	PART NO.	PART NO.
2 X 1	90122-0121	90122-0761	90122-0921
2 X 2	▲ -0122	▲ -0762	▲ -0922
2 X 3	-0123	-0763	-0923
2 X 4	-0124	-0764	-0924
2 X 5	-0125	-0765	-0925
2 X 6	-0126	-0766	-0926
2 X 7	-0127	-0767	-0927
2 X 8	-0128	-0768	-0928
2 X 9	-0129	-0769	-0929
2 X 10	-0130	-0770	-0930
2 X 11	-0131	-0771	-0931
2 X 12	-0132	-0772	-0932
2 X 13	-0133	-0773	-0933
2 X 14	-0134	-0774	-0934
2 X 15	-0135	-0775	-0935
2 X 16	-0136	-0776	-0936
2 X 17	-0137	-0777	-0937
2 X 18	-0138	-0778	-0938
2 X 19	-0139	-0779	-0939
2 X 20	-0140	-0780	-0940
2 X 21	-0141	-0781	-0941
2 X 22	-0142	-0782	-0942
2 X 23	-0143	-0783	-0943
2 X 24	-0144	-0784	-0944
2 X 25	-0145	-0785	-0945
2 X 26	-0146	-0786	-0946
2 X 27	-0147	-0787	-0947
2 X 28	-0148	-0788	-0948
2 X 29	-0149	-0789	-0949
2 X 30	-0150	-0790	-0950
2 X 31	-0151	-0791	-0951
2 X 32	-0152	-0792	-0952
2 X 33	-0153	-0793	-0953
2 X 34	-0154	-0794	-0954
2 X 35	-0155	-0795	-0955
2 X 36	-0156	-0796	-0956
2 X 37	-0157	-0797	-0957
2 X 38	-0158	-0798	-0958
2 X 39	▼ -0159	▼ -0799	▼ -0959
2 X 40	90122-0160	90122-0800	90122-0960

DIM C (±0.20) ±.008 (6.75) .266

DIM D (±0.25) ±.010 (2.90) .114

NOTES:  
FOR PLATING VARIATIONS SEE  
ENG.STD. SDES-99000-0003.

<b>UPDATE TOL SYMMETRY</b> EC NO: S2010-0867 DRWN:SKANG CHKD:ATSEE APPR:MLONG	2010/04/15 2010/04/27 2010/04/27	QUALITY SYMBOLS $F_A=0$ $F_E=0$ $F_F=0$	GENERAL TOLERANCES (UNLESS SPECIFIED) mm INCH 4 PLACES ± --- ± --- 3 PLACES ± --- ± --- 2 PLACES ± --- ± --- 1 PLACE ± --- ± --- ANGULAR ± ---°	DIMENSION STYLE <b>MM ONLY</b> DRAWN BY DATE DB 16/07/87 CHECKED BY DATE ATSEE 2010/04/27 APPROVED BY DATE MLONG 2010/04/27	SCALE NTS DESIGN UNITS METRIC THIRD ANGLE PROJECTION	TITLE <b>C-GRID III                  DUAL ROW RIGHT                  ANGLE HEADER</b> MOLEX INCORPORATED DOCUMENT NO. SDA-90122	SHEET NO. 2 OF 6
	DRAFT WHERE APPLICABLE MUST REMAIN WITHIN DIMENSIONS			SEE TABLE	THIS DRAWING CONTAINS INFORMATION THAT IS PROPRIETARY TO MOLEX INCORPORATED AND SHOULD NOT BE USED WITHOUT WRITTEN PERMISSION		
	SIZE <b>A3</b>						
	REV <b>M1</b>						

9 8 7 6 5 4 3 2 1

	10	9	8	7	6	5	4	3	2	1				
F	CIRCUIT SIZE	PLATING TYPE A PART NO.	PLATING TYPE E PART NO.	PLATING TYPE F PART NO.				CIRCUIT SIZE	PLATING TYPE A PART NO.	PLATING TYPE E PART NO.	PLATING TYPE F PART NO.	F		
		2 X 1	90122-0041	90122-0681					90122-0841	2 X 1	90122-0081		90122-0721	90122-0881
		2 X 2	↑ -0042	↑ -0682					↑ -0842	2 X 2	↑ -0082		↑ -0722	↑ -0882
		2 X 3	-0043	-0683					-0843	2 X 3	-0083		-0723	-0883
		2 X 4	-0044	-0684					-0844	2 X 4	-0084		-0724	-0884
		2 X 5	-0045	-0685					-0845	2 X 5	-0085		-0725	-0885
		2 X 6	-0046	-0686					-0846	2 X 6	-0086		-0726	-0886
		2 X 7	-0047	-0687					-0847	2 X 7	-0087		-0727	-0887
		2 X 8	-0048	-0688					-0848	2 X 8	-0088		-0728	-0888
		2 X 9	-0049	-0689					-0849	2 X 9	-0089		-0729	-0889
		2 X 10	-0050	-0690					-0850	2 X 10	-0090		-0730	-0890
		2 X 11	-0051	-0691					-0851	2 X 11	-0091		-0731	-0891
		2 X 12	-0052	-0692					-0852	2 X 12	-0092		-0732	-0892
		2 X 13	-0053	-0693					-0853	2 X 13	-0093		-0733	-0893
		2 X 14	-0054	-0694					-0854	2 X 14	-0094		-0734	-0894
		2 X 15	-0055	-0695					-0855	2 X 15	-0095		-0735	-0895
		2 X 16	-0056	-0696					-0856	2 X 16	-0096		-0736	-0896
		2 X 17	-0057	-0697					-0857	2 X 17	-0097		-0737	-0897
		2 X 18	-0058	-0698					-0858	2 X 18	-0098		-0738	-0898
		2 X 19	-0059	-0699					-0859	2 X 19	-0099		-0739	-0899
		2 X 20	-0060	-0700					-0860	2 X 20	-0100		-0740	-0900
		2 X 21	-0061	-0701					-0861	2 X 21	-0101		-0741	-0901
		2 X 22	-0062	-0702					-0862	2 X 22	-0102		-0742	-0902
		2 X 23	-0063	-0703					-0863	2 X 23	-0103		-0743	-0903
		2 X 24	-0064	-0704					-0864	2 X 24	-0104		-0744	-0904
		2 X 25	-0065	-0705					-0865	2 X 25	-0105		-0745	-0905
		2 X 26	-0066	-0706					-0866	2 X 26	-0106		-0746	-0906
		2 X 27	-0067	-0707					-0867	2 X 27	-0107		-0747	-0907
		2 X 28	-0068	-0708					-0868	2 X 28	-0108		-0748	-0908
		2 X 29	-0069	-0709					-0869	2 X 29	-0109		-0749	-0909
		2 X 30	-0070	-0710					-0870	2 X 30	-0110		-0750	-0910
		2 X 31	-0071	-0711					-0871	2 X 31	-0111		-0751	-0911
		2 X 32	-0072	-0712					-0872	2 X 32	-0112		-0752	-0912
		2 X 33	-0073	-0713					-0873	2 X 33	-0113		-0753	-0913
		2 X 34	-0074	-0714					-0874	2 X 34	-0114		-0754	-0914
		2 X 35	-0075	-0715					-0875	2 X 35	-0115		-0755	-0915
		2 X 36	-0076	-0716					-0876	2 X 36	-0116		-0756	-0916
		2 X 37	-0077	-0717					-0877	2 X 37	-0117		-0757	-0917
		2 X 38	-0078	-0718					-0878	2 X 38	-0118		-0758	-0918
		2 X 39	↓ -0079	↓ -0719					↓ -0879	2 X 39	↓ -0119		↓ -0759	↓ -0919
2 X 40	90122-0080	90122-0720	90122-0880	2 X 40	90122-0120	90122-0760	90122-0920							

DIM C (±0.20) ±.008 (5.75) .226

DIM D (±0.25) ±.010 (2.90) .114

DIM C (±0.20) ±.008 (5.75) .226

DIM D (±0.25) ±.010 (4.50) .177

NOTES:  
FOR PLATING VARIATIONS SEE  
ENG.STD. SDES-99000-0003.

UPDATE TOL SYMMETRY EC NO: S2010-0867 DRWN:SKANG 2010/04/15 CHKD:ATSEE 2010/04/27 APPR:MLONG 2010/04/27	QUALITY SYMBOLS	GENERAL TOLERANCES (UNLESS SPECIFIED)	DIMENSION STYLE	SCALE	DESIGN UNITS	THIRD ANGLE PROJECTION	
	$F_A=0$ $F_G=0$ $F_P=0$	mm    INCH 4 PLACES ± --- ± --- 3 PLACES ± --- ± --- 2 PLACES ± --- ± --- 1 PLACE ± --- ± --- ANGULAR ± ---°	MM ONLY	NTS	METRIC		
		DRAFT WHERE APPLICABLE MUST REMAIN WITHIN DIMENSIONS	DRAWN BY DATE	TITLE	C-GRID III DUAL ROW RIGHT ANGLE HEADER		
			CHECKED BY DATE		MOLEX INCORPORATED		
		APPROVED BY DATE		SDA-90122			
		MATERIAL NO.	SEE TABLE	DOCUMENT NO.			
		SIZE	THIS DRAWING CONTAINS INFORMATION THAT IS PROPRIETARY TO MOLEX INCORPORATED AND SHOULD NOT BE USED WITHOUT WRITTEN PERMISSION				

10 9 8 7 6 5 4 3 2 1

CIRCUIT SIZE	PLATING TYPE A PART NO.	PLATING TYPE E PART NO.	PLATING TYPE F PART NO.
2 X 1	90122-0161	90122-0801	90122-0961
2 X 2	▲ -0162	▲ -0802	▲ -0962
2 X 3	-0163	-0803	-0963
2 X 4	-0164	-0804	-0964
2 X 5	-0165	-0805	-0965
2 X 6	-0166	-0806	-0966
2 X 7	-0167	-0807	-0967
2 X 8	-0168	-0808	-0968
2 X 9	-0169	-0809	-0969
2 X 10	-0170	-0810	-0970
2 X 11	-0171	-0811	-0971
2 X 12	-0172	-0812	-0972
2 X 13	-0173	-0813	-0973
2 X 14	-0174	-0814	-0974
2 X 15	-0175	-0815	-0975
2 X 16	-0176	-0816	-0976
2 X 17	-0177	-0817	-0977
2 X 18	-0178	-0818	-0978
2 X 19	-0179	-0819	-0979
2 X 20	-0180	-0820	-0980
2 X 21	-0181	-0821	-0981
2 X 22	-0182	-0822	-0982
2 X 23	-0183	-0823	-0983
2 X 24	-0184	-0824	-0984
2 X 25	-0185	-0825	-0985
2 X 26	-0186	-0826	-0986
2 X 27	-0187	-0827	-0987
2 X 28	-0188	-0828	-0988
2 X 29	-0189	-0829	-0989
2 X 30	-0190	-0830	-0990
2 X 31	-0191	-0831	-0991
2 X 32	-0192	-0832	-0992
2 X 33	-0193	-0833	-0993
2 X 34	-0194	-0834	-0994
2 X 35	-0195	-0835	-0995
2 X 36	-0196	-0836	-0996
2 X 37	-0197	-0837	-0997
2 X 38	-0198	-0838	-0998
2 X 39	▼ -0199	▼ -0839	▼ -0999
2 X 40	90122-0200	90122-0840	90122-1000

DIM C  
(±0.20)  
(6.75)  
±.008  
.266

DIM D  
(±0.25)  
(4.50)  
±.010  
.177

NOTES:  
FOR PLATING VARIATIONS SEE  
ENG.STD. SDES-99000-0003.

<b>UPDATE TOL SYMMETRY</b> EC NO: S2010-0867 DRWN:SKANG 2010/04/15 CHKD:ATSEE 2010/04/27 APPR:MLONG 2010/04/27	QUALITY SYMBOLS	GENERAL TOLERANCES (UNLESS SPECIFIED)	DIMENSION STYLE	SCALE	DESIGN UNITS	THIRD ANGLE PROJECTION
	$\nabla_A = 0$ $\nabla_C = 0$ $\nabla_P = 0$	mm INCH	MM ONLY	NTS	METRIC	
	4 PLACES ± --- ± --- 3 PLACES ± --- ± --- 2 PLACES ± --- ± --- 1 PLACE ± --- ± --- ANGULAR ± ---°	DRAWN BY: DB DATE: 16/07/87 CHECKED BY: ATSEE DATE: 2010/04/27 APPROVED BY: MLONG DATE: 2010/04/27	TITLE	C-GRID III DUAL ROW RIGHT ANGLE HEADER		
	DRAFT WHERE APPLICABLE MUST REMAIN WITHIN DIMENSIONS	MATERIAL NO. SEE TABLE	MOLEX INCORPORATED DOCUMENT NO. SDA-90122	SHEET NO. 4 OF 6		

9 8 7 6 5 4 3 2 1

	10	9	8	7	6	5	4	3	2	1			
F		CIRCUIT SIZE	PLATING TYPE B PART NO.	PLATING TYPE C PART NO.	PLATING TYPE D PART NO.	PLATING TYPE G PART NO.		CIRCUIT SIZE	PLATING TYPE B PART NO.	PLATING TYPE C PART NO.	PLATING TYPE D PART NO.	PLATING TYPE G PART NO.	F
		2 X 1	90122-0281	90122-0441	90122-0601	90122-1081		2 X 1	90122-0201	90122-0361	90122-0521	90122-1001	
		2 X 2	▲ -0282	▲ -0442	▲ -0602	▲ -1082		2 X 2	▲ -0202	▲ -0362	▲ -0522	▲ -1002	
		2 X 3	-0283	-0443	-0603	-1083		2 X 3	-0203	-0363	-0523	-1003	
		2 X 4	-0284	-0444	-0604	-1084		2 X 4	-0204	-0364	-0524	-1004	
		2 X 5	-0285	-0445	-0605	-1085		2 X 5	-0205	-0365	-0525	-1005	
		2 X 6	-0286	-0446	-0606	-1086		2 X 6	-0206	-0366	-0526	-1006	
		2 X 7	-0287	-0447	-0607	-1087		2 X 7	-0207	-0367	-0527	-1007	
		2 X 8	-0288	-0448	-0608	-1088		2 X 8	-0208	-0368	-0528	-1008	
		2 X 9	-0289	-0449	-0609	-1089		2 X 9	-0209	-0369	-0529	-1009	
		2 X 10	-0290	-0450	-0610	-1090		2 X 10	-0210	-0370	-0530	-1010	
		2 X 11	-0291	-0451	-0611	-1091		2 X 11	-0211	-0371	-0531	-1011	
		2 X 12	-0292	-0452	-0612	-1092		2 X 12	-0212	-0372	-0532	-1012	
		2 X 13	-0293	-0453	-0613	-1093		2 X 13	-0213	-0373	-0533	-1013	
		2 X 14	-0294	-0454	-0614	-1094		2 X 14	-0214	-0374	-0534	-1014	
		2 X 15	-0295	-0455	-0615	-1095		2 X 15	-0215	-0375	-0535	-1015	
		2 X 16	-0296	-0456	-0616	-1096		2 X 16	-0216	-0376	-0536	-1016	
		2 X 17	-0297	-0457	-0617	-1097		2 X 17	-0217	-0377	-0537	-1017	
		2 X 18	-0298	-0458	-0618	-1098		2 X 18	-0218	-0378	-0538	-1018	
		2 X 19	-0299	-0459	-0619	-1099		2 X 19	-0219	-0379	-0539	-1019	
		2 X 20	-0300	-0460	-0620	-1100		2 X 20	-0220	-0380	-0540	-1020	
		2 X 21	-0301	-0461	-0621	-1101		2 X 21	-0221	-0381	-0541	-1021	
		2 X 22	-0302	-0462	-0622	-1102		2 X 22	-0222	-0382	-0542	-1022	
		2 X 23	-0303	-0463	-0623	-1103		2 X 23	-0223	-0383	-0543	-1023	
		2 X 24	-0304	-0464	-0624	-1104		2 X 24	-0224	-0384	-0544	-1024	
		2 X 25	-0305	-0465	-0625	-1105		2 X 25	-0225	-0385	-0545	-1025	
		2 X 26	-0306	-0466	-0626	-1106		2 X 26	-0226	-0386	-0546	-1026	
		2 X 27	-0307	-0467	-0627	-1107		2 X 27	-0227	-0387	-0547	-1027	
		2 X 28	-0308	-0468	-0628	-1108		2 X 28	-0228	-0388	-0548	-1028	
		2 X 29	-0309	-0469	-0629	-1109		2 X 29	-0229	-0389	-0549	-1029	
		2 X 30	-0310	-0470	-0630	-1110		2 X 30	-0230	-0390	-0550	-1030	
		2 X 31	-0311	-0471	-0631	-1111		2 X 31	-0231	-0391	-0551	-1031	
		2 X 32	-0312	-0472	-0632	-1112		2 X 32	-0232	-0392	-0552	-1032	
		2 X 33	-0313	-0473	-0633	-1113		2 X 33	-0233	-0393	-0553	-1033	
		2 X 34	-0314	-0474	-0634	-1114		2 X 34	-0234	-0394	-0554	-1034	
		2 X 35	-0315	-0475	-0635	-1115		2 X 35	-0235	-0395	-0555	-1035	
		2 X 36	-0316	-0476	-0636	-1116		2 X 36	-0236	-0396	-0556	-1036	
		2 X 37	-0317	-0477	-0637	-1117		2 X 37	-0237	-0397	-0557	-1037	
		2 X 38	-0318	-0478	-0638	-1118		2 X 38	-0238	-0398	-0558	-1038	
		2 X 39	▼ -0319	▼ -0479	▼ -0639	▼ -1119		2 X 39	▼ -0239	▼ -0399	▼ -0559	▼ -1039	
		2 X 40	90122-0320	90122-0480	90122-0640	90122-1120		2 X 40	90122-0240	90122-0400	90122-0560	90122-1040	

DIM C (±0.20) ±.008 (6.75) .266

DIM D (±0.25) ±.010 (2.90) .114

DIM C (±0.20) ±.008 (5.75) .226

DIM D (±0.25) ±.010 (2.90) .114

NOTES:  
FOR PLATING VARIATIONS SEE  
ENG.STD. SDES-99000-0003.

UPDATE TOL SYMMETRY EC NO: S2010-0867 DRWN:SKANG CHKD:ATSEE APPR:MLONG 2010/04/15 2010/04/27 2010/04/27	QUALITY SYMBOLS $F_A=0$ $F_C=0$ $F_B=0$	GENERAL TOLERANCES (UNLESS SPECIFIED)		DIMENSION STYLE <b>MM ONLY</b>		SCALE NTS	DESIGN UNITS METRIC	THIRD ANGLE PROJECTION		
				DRAWN BY DB	DATE 16/07/87		TITLE <b>C-GRID III DUAL ROW RIGHT ANGLE HEADER</b>			
				CHECKED BY ATSEE	DATE 2010/04/27		MOLEX INCORPORATED			
				APPROVED BY MLONG	DATE 2010/04/27		MATERIAL NO. <b>SEE TABLE</b>		DOCUMENT NO. SDA-90122	
DRAFT WHERE APPLICABLE MUST REMAIN WITHIN DIMENSIONS		THIS DRAWING CONTAINS INFORMATION THAT IS PROPRIETARY TO MOLEX INCORPORATED AND SHOULD NOT BE USED WITHOUT WRITTEN PERMISSION								

	10	9	8	7	6	5	4	3	2	1			
F		CIRCUIT SIZE	PLATING TYPE B PART NO.	PLATING TYPE C PART NO.	PLATING TYPE D PART NO.	PLATING TYPE G PART NO.		CIRCUIT SIZE	PLATING TYPE B PART NO.	PLATING TYPE C PART NO.	PLATING TYPE D PART NO.	PLATING TYPE G PART NO.	F
		2 X 1	90122-0241	90122-0401	90122-0561	90122-1041		2 X 1	90122-0321	90122-0481	90122-0641	90122-1121	
		2 X 2	▲ -0242	▲ -0402	▲ -0562	▲ -1042		2 X 2	▲ -0322	▲ -0482	▲ -0642	▲ -1122	
		2 X 3	-0243	-0403	-0563	-1043		2 X 3	-0323	-0483	-0643	-1123	
		2 X 4	-0244	-0404	-0564	-1044		2 X 4	-0324	-0484	-0644	-1124	
		2 X 5	-0245	-0405	-0565	-1045		2 X 5	-0325	-0485	-0645	-1125	
		2 X 6	-0246	-0406	-0566	-1046		2 X 6	-0326	-0486	-0646	-1126	
		2 X 7	-0247	-0407	-0567	-1047		2 X 7	-0327	-0487	-0647	-1127	
		2 X 8	-0248	-0408	-0568	-1048		2 X 8	-0328	-0488	-0648	-1128	
		2 X 9	-0249	-0409	-0569	-1049		2 X 9	-0329	-0489	-0649	-1129	
		2 X 10	-0250	-0410	-0570	-1050		2 X 10	-0330	-0490	-0650	-1130	
		2 X 11	-0251	-0411	-0571	-1051		2 X 11	-0331	-0491	-0651	-1131	
		2 X 12	-0252	-0412	-0572	-1052		2 X 12	-0332	-0492	-0652	-1132	
		2 X 13	-0253	-0413	-0573	-1053		2 X 13	-0333	-0493	-0653	-1133	
		2 X 14	-0254	-0414	-0574	-1054		2 X 14	-0334	-0494	-0654	-1134	
		2 X 15	-0255	-0415	-0575	-1055		2 X 15	-0335	-0495	-0655	-1135	
		2 X 16	-0256	-0416	-0576	-1056		2 X 16	-0336	-0496	-0656	-1136	
		2 X 17	-0257	-0417	-0577	-1057		2 X 17	-0337	-0497	-0657	-1137	
		2 X 18	-0258	-0418	-0578	-1058		2 X 18	-0338	-0498	-0658	-1138	
		2 X 19	-0259	-0419	-0579	-1059		2 X 19	-0339	-0499	-0659	-1139	
		2 X 20	-0260	-0420	-0580	-1060		2 X 20	-0340	-0500	-0660	-1140	
		2 X 21	-0261	-0421	-0581	-1061		2 X 21	-0341	-0501	-0661	-1141	
		2 X 22	-0262	-0422	-0582	-1062		2 X 22	-0342	-0502	-0662	-1142	
		2 X 23	-0263	-0423	-0583	-1063		2 X 23	-0343	-0503	-0663	-1143	
		2 X 24	-0264	-0424	-0584	-1064		2 X 24	-0344	-0504	-0664	-1144	
		2 X 25	-0265	-0425	-0585	-1065		2 X 25	-0345	-0505	-0665	-1145	
		2 X 26	-0266	-0426	-0586	-1066		2 X 26	-0346	-0506	-0666	-1146	
		2 X 27	-0267	-0427	-0587	-1067		2 X 27	-0347	-0507	-0667	-1147	
		2 X 28	-0268	-0428	-0588	-1068		2 X 28	-0348	-0508	-0668	-1148	
		2 X 29	-0269	-0429	-0589	-1069		2 X 29	-0349	-0509	-0669	-1149	
		2 X 30	-0270	-0430	-0590	-1070		2 X 30	-0350	-0510	-0670	-1150	
		2 X 31	-0271	-0431	-0591	-1071		2 X 31	-0351	-0511	-0671	-1151	
		2 X 32	-0272	-0432	-0592	-1072		2 X 32	-0352	-0512	-0672	-1152	
		2 X 33	-0273	-0433	-0593	-1073		2 X 33	-0353	-0513	-0673	-1153	
		2 X 34	-0274	-0434	-0594	-1074		2 X 34	-0354	-0514	-0674	-1154	
		2 X 35	-0275	-0435	-0595	-1075		2 X 35	-0355	-0515	-0675	-1155	
		2 X 36	-0276	-0436	-0596	-1076		2 X 36	-0356	-0516	-0676	-1156	
		2 X 37	-0277	-0437	-0597	-1077		2 X 37	-0357	-0517	-0677	-1157	
		2 X 38	-0278	-0438	-0598	-1078		2 X 38	-0358	-0518	-0678	-1158	
		2 X 39	▼ -0279	▼ -0439	▼ -0599	▼ -1079		2 X 39	▼ -0359	▼ -0519	▼ -0679	▼ -1159	
		2 X 40	90122-0280	90122-0440	90122-0600	90122-1080		2 X 40	90122-0360	90122-0520	90122-0680	90122-1160	

DIM C (±0.20) ±.008 (5.75) .266

DIM D (±0.25) ±.010 (4.50) .177

DIM C (±0.20) ±.008 (6.75) .266

DIM D (±0.25) ±.010 (4.50) .177

NOTES:  
FOR PLATING VARIATIONS SEE  
ENG.STD. SDES-99000-0003.

UPDATE TOL SYMMETRY EC NO: S2010-0867 DRWN:SKANG CHKD:ATSEE APPR:MLONG	2010/04/15	QUALITY SYMBOLS ▽ <sub>A</sub> =0 ▽ <sub>B</sub> =0 ▽ <sub>C</sub> =0
	2010/04/17	
	2010/04/27	
	2010/04/27	
M1	REV	DESCRIPTION

GENERAL TOLERANCES (UNLESS SPECIFIED)	
mm	INCH
4 PLACES ±---	±---
3 PLACES ±---	±---
2 PLACES ±---	±---
1 PLACE ±---	±---
ANGULAR ±---°	
DRAFT WHERE APPLICABLE MUST REMAIN WITHIN DIMENSIONS	

DIMENSION STYLE MM ONLY	
DRAWN BY	DATE
DB	16/07/87
CHECKED BY	DATE
ATSEE	2010/04/27
APPROVED BY	DATE
MLONG	2010/04/27
MATERIAL NO.	SEE TABLE
SIZE	A3

SCALE NTS	DESIGN UNITS METRIC	THIRD ANGLE PROJECTION
TITLE C-GRID III DUAL ROW RIGHT ANGLE HEADER		
MOLEX INCORPORATED		
DOCUMENT NO. SDA-90122	SHEET NO. 6 OF 6	
THIS DRAWING CONTAINS INFORMATION THAT IS PROPRIETARY TO MOLEX INCORPORATED AND SHOULD NOT BE USED WITHOUT WRITTEN PERMISSION		