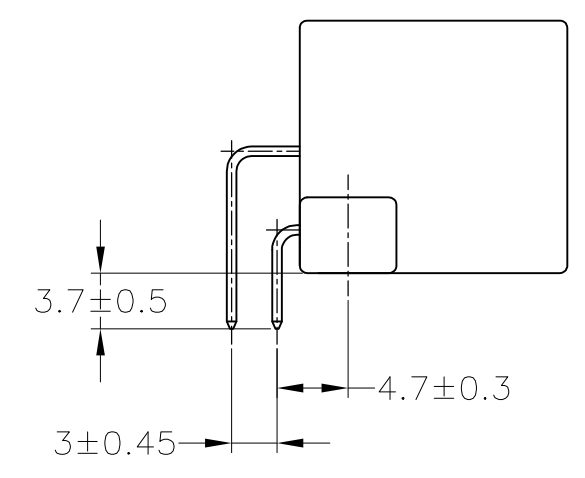
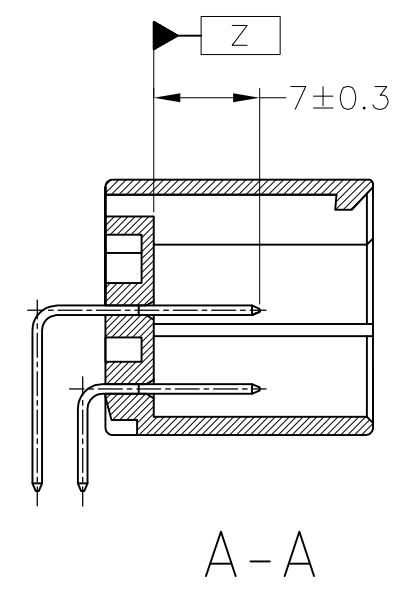
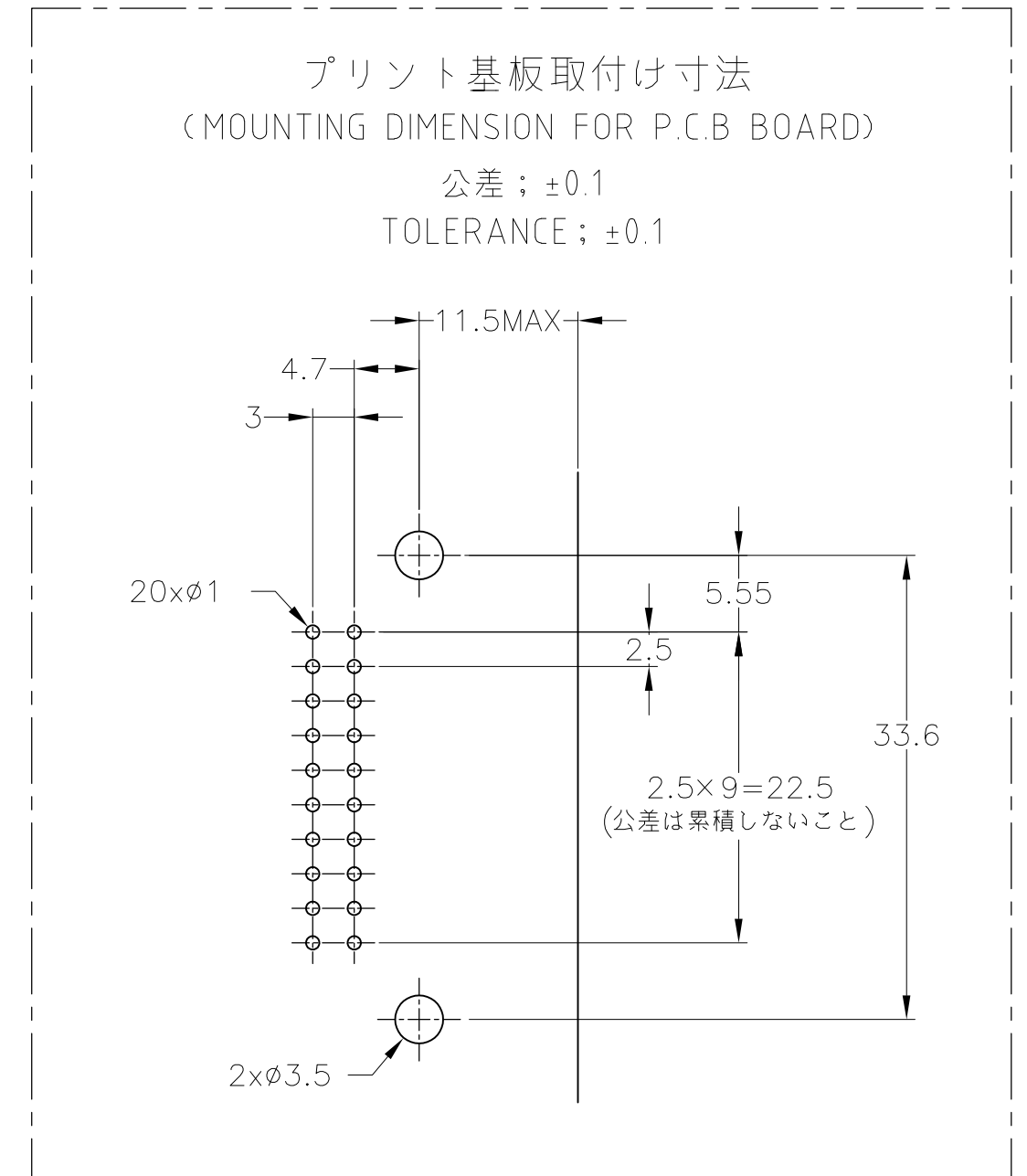
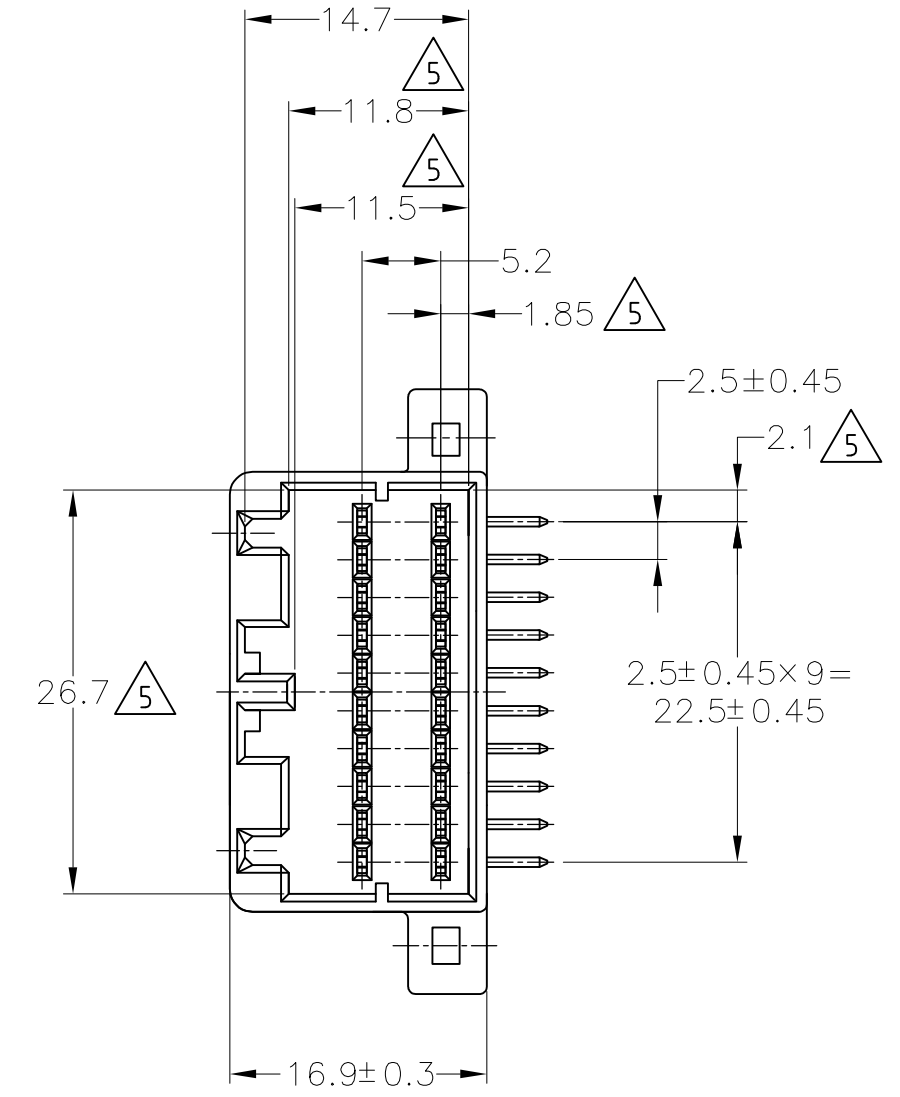
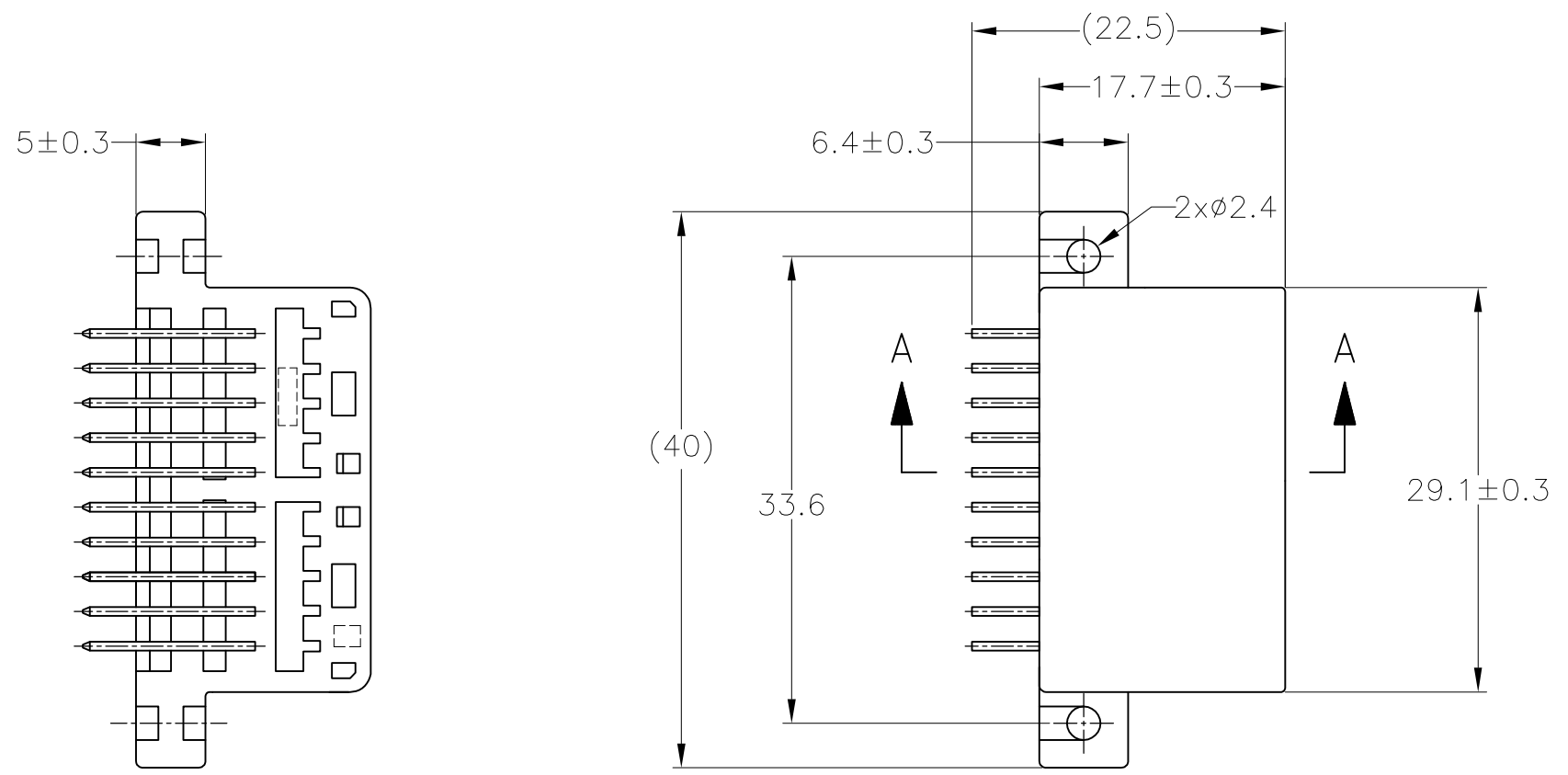


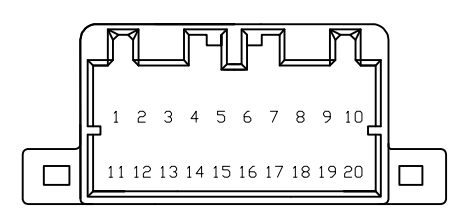
THIS DRAWING IS UNPUBLISHED. RELEASED FOR PUBLICATION
 © COPYRIGHT - By - ALL RIGHTS RESERVED.

LOC	DIST	REVISIONS					
		P	LTR	DESCRIPTION	DATE	DWN	APVD
J	-	G5		REVISED ECR-15-008937	12JUN15	KF	RK



- 適用プリント基板厚: 1.6mm
- 推奨取付ネジ: JIS B1115, B1122 タッピングネジ。
ナベ2種呼び径3、長さ6mm以上。(締付トルク39.2N-cm以下)
- 嵌合相手ハウジング型番: 175967
- 適用製品規格番号: 108-5281
- △ Z 面より2mmの範囲で測定
- △ 回路番号: FIG.1参照
- △ 回路番号1,2,5,12,15: タブなし

- APPLICABLE P.C.B BOARD THICKNESS: 1.6mm
- RECOMMENDED MOUNTING SCREW 3mm DIA. 6mm LENGTH (MIN.)
TAPPING SCREW SPECIFIED IN JIS B1115, B1122
(TIGHTENING TORQUE: 39.2N-cm MAX.)
- THE MATING PLUG HOUSING PART NUMBER: 175967
- APPLICABLE PRODUCT SPEC. No.: 108-5281
- △ TO BE MEASURED WITHIN 2mm FROM Z
- △ CIRCUIT NUMBER; SEE FIG.1
- △ CIRCUIT NUMBER 1,2,5,12,15; NON TAB



△ FIG.1

	PRE-TIN × 17	5, 6, 16	BLACK	2-5175975-2
	SELECTIVE-TIN (MATTE) / SELECTIVE GOLD × 3			
	SELECTIVE-TIN (MATTE) / SELECTIVE GOLD	1~20	BLACK	1-5175975-2
OBSELETE	SELECTIVE-TIN / PRE-TIN		BLACK	9-175975-2
	△ PRE-TIN × 15	-	BLACK	3-175975-2
	PRE-TIN × 17	5, 6, 16	BLACK	2-175975-2
	TIN-LEAD / SELECTIVE GOLD × 3			
	TIN-LEAD / SELECTIVE GOLD	1~20	BLACK	1-175975-2
	PRE-TIN	-	BLUE	175975-5
	SELECTIVE-TIN (MATTE) / SELECTIVE-TIN (BRIGHT)	-	BLACK	175975-4
	PRE-TIN	-	BLACK	175975-2
	SOLDERING SIDE / CONTACT SIDE 半田付け部 / 接触部側	GOLD PLATED CIRCUIT NO 金めっき回路番号	COLOR 色	PART NUMBER 製品番号
	CONTACT FINISH コンタクト仕上	△		

THIS DRAWING IS A CONTROLLED DOCUMENT.

DIMENSIONS: 単位: 純 mm

TOLERANCES UNLESS OTHERWISE SPECIFIED: 一般公差

MATERIAL: ハウジング: PBT, コンタクト: 黄銅

FINISH: 仕上

TE Connectivity

040 SERIES MULTI-LOCK I/O CONNECTOR MK-II
20POSITION CAP HOUSING ASSEMBLY

SCALE: 2:1 SHEET: 1 of 1 REV: G5

Mouser Electronics

Authorized Distributor

Click to View Pricing, Inventory, Delivery & Lifecycle Information:

[TE Connectivity:](#)

[175975-2](#)